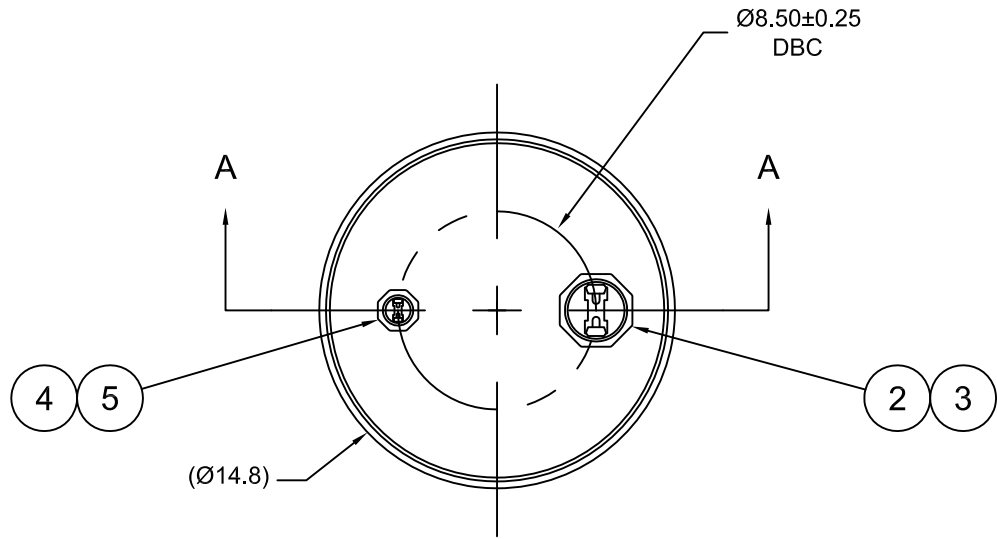
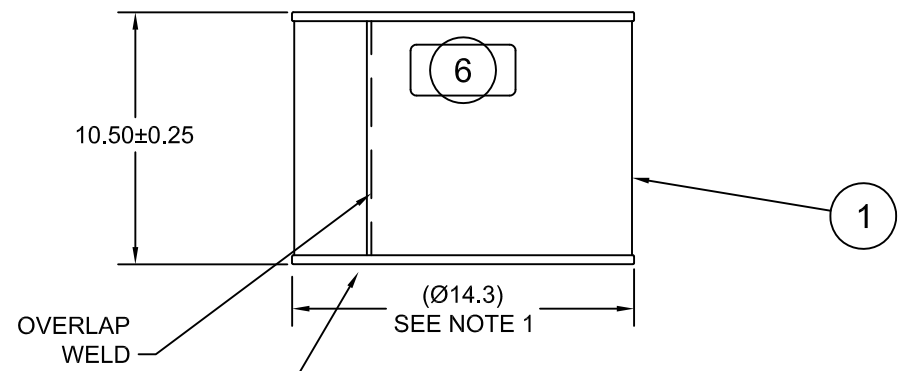
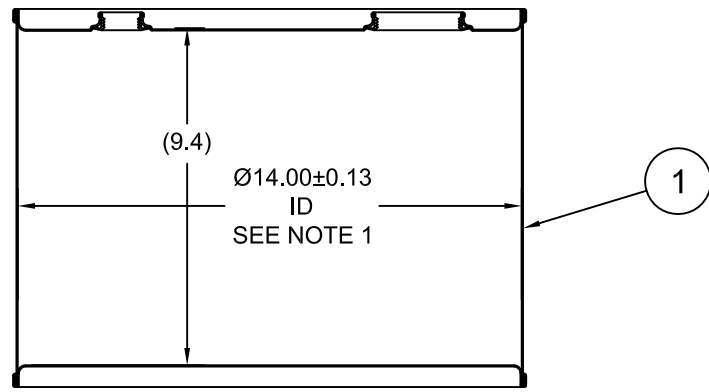


309000

ECN #	REV	DESCRIPTION	DATE
OE-005	A1	REDRAWN TO AutoCAD	28-MAR-2012



**SECTION A-A**  
SHOWN WITH PLUGS  
REMOVED



UN NUMBER EMBOSSED ON BOTTOM OF DRUM  
1/2" CHARACTERS  
UN/1A1/X1.6/250  
0.9\*  
(YR = YEAR OF MANUFACTURE)

**NOTES:**

- TO DETERMINE GREATER ACCURACY OF ANY DIAMETRIC DIMENSION, MEASURING OF CIRCUMFERENCE IS REQUIRED
- CONSTRUCTION per 49 CFR § 178.504 (b)

**MATERIAL:**

- DRUM BODY AND COVER CRCQ CARBON STEEL PER ASTM A1008 OR ASTM A568 OR EQUIVALENT
- MATERIAL THICKNESS 0.9mm (0.0319 - 0.0370, 20 GAUGE)

**FINISH:**

- DRUM BODY/BOTTOM EXTERIOR PAINTED BLACK (LQ10003)  
TOP PAINTED WHITE (LQ10020)

ITEM	P/N	DESCRIPTION	QTY
6		UN DURABLE LABEL	1
5	PT3000	PLUG 3/4 TS BUNA GASKET	1
4	FT3000	FLANGE 3/4 TS BUNA GASKET	1
3	PT2000	PLUG 2 TS BUNA GASKET	1
2	FT2000	FLANGE 2 TS BUNA GASKET	1
1		5 GALLON TIGHT HEAD DRUM	1

MFG BR	DRW LJT	CHK JG
SLS DR	QA MD	
APR G. Petersen		
FILE CREATED IN AutoCAD 2002		

**UNLESS STATED OTHERWISE**  
(DIMENSIONS IN PARENTHESIS ARE FOR REFERENCE ONLY!!!)  
ALL DIMENSIONS ARE IN INCHES  
DO NOT SCALE DRAWING  
TOLERANCES:  
FRACTIONS  $\pm 1/4$   
 $X^\circ \pm 3^\circ$   
 $X.X \pm 0.2$   
 $X.XX \pm 0.10$   
 $X.XXX \pm 0.030$

**SKOLNIK INDUSTRIES, INC.**  
4900 SOUTH KILBOURN AVENUE, CHICAGO, IL 60632

DESCRIPTION  
5 GALLON TIGHT HEAD DRUM  
0.9 - 0.9 - 0.9 CRCQ  
1A1/X1.6/250

REL. DATE 28-MAR-2012	PART NUM. / FILENAME CQ0503	REV A1
--------------------------	--------------------------------	-----------

TARE WEIGHT:  
10 lbs

THE USE OF INFORMATION CONTAINED HEREIN IS RESTRICTED FOR THE BENEFIT OF SKOLNIK INDUSTRIES ONLY. UNAUTHORIZED USE OR DISCLOSURE, COPYING OR OTHERWISE REPRODUCING (IN ANY MANNER) ANY PORTION OF THIS DRAWING WITHOUT PRIOR WRITTEN PERMISSION OF AN AUTHORIZED OFFICIAL OF SKOLNIK INDUSTRIES IS STRICTLY PROHIBITED.