

0208000

ECN # or INIT	REV	DESCRIPTION	DATE
	A	RELEASE	07-FEB-2008
OE-001	A1	CLERICAL ERROR	11-JUN-2010
OE-001	A2	UPDATED HOOP DIMENSIONS	04-APR-2013
		CORRECTED RING PROFILE &	
OE-013	A3	REVISED HOOP PROFILE	19-APR-2013
OE-001	A4	ADDED UN UMBRELLA NOTE	22-APR-2013
17-001	A5	REMOVED LIQUID RATING	06-APR-2017
17-003	B	COVER WAS 18GA	14-SEP-2017

NOTES:

1. THESE DIMENSIONS REPRESENT DRUM AFTER BEING PROPERLY ASSEMBLED AND CLOSED PER SKOLNIK CLOSING INSTRUCTIONS.
2. TO DETERMINE GREATER ACCURACY OF ANY DIAMETRIC DIMENSION, MEASURING OF CIRCUMFERENCE IS REQUIRED
3. CONSTRUCTION per 49 CFR § 178.504 (b)

MATERIAL:

1. DRUM BODY AND COVER CRCQ CARBON STEEL PER ASTM A1008 AND ASTM A568
2. MATERIAL THICKNESS: 0.9mm (0.0319 - 0.0370, 20 GAUGE)
3. GASKET MAT'L PER ASTM D1056

FINISH:

1. DRUM EXTERIOR COVER PAINTED WHITE (LQ10020) BODY/BOTTOM PAINTED BLACK (LQ10003)

REFERENCE:

1. UN RATING 'UMBRELLA', 49 CFR § 178.601 (g)(3) for CQ1002Q

5		UN DURABLE LABEL	1
4	RQ0516	14 DIA QUICK LEVERLOCK RING	1
3	GE0503-01	GASKET, EPDM, Ø3/8	1
2	P1409	COVER, Ø14.00 DRUM, CRCQ STEEL	1
1		BODY/BOTTOM 8 GALLON DRUM 14 ID	1
ITEM	P/N	DESCRIPTION	QTY

B

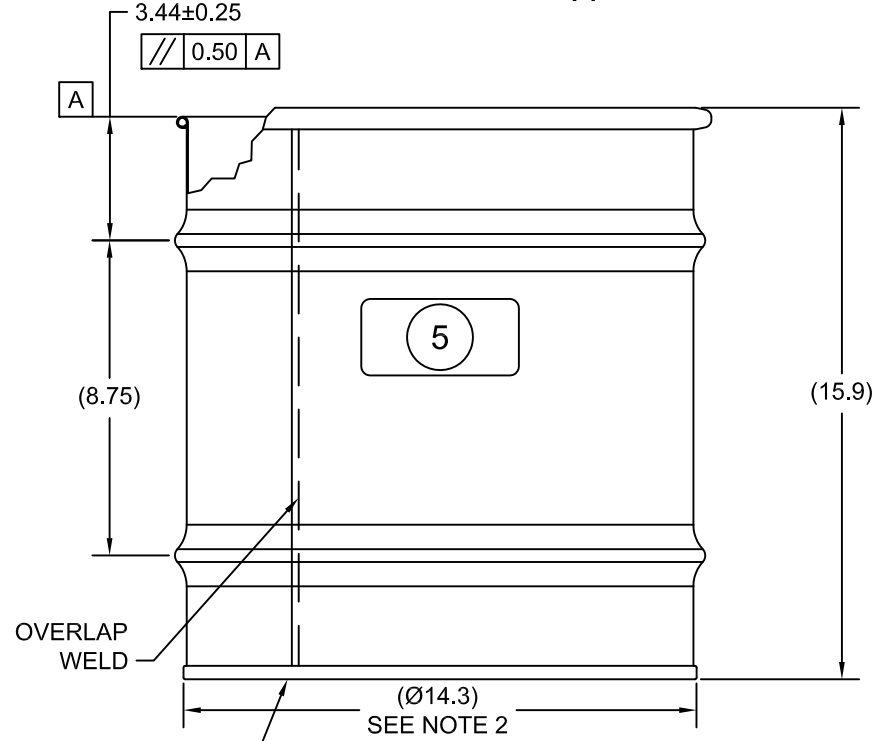
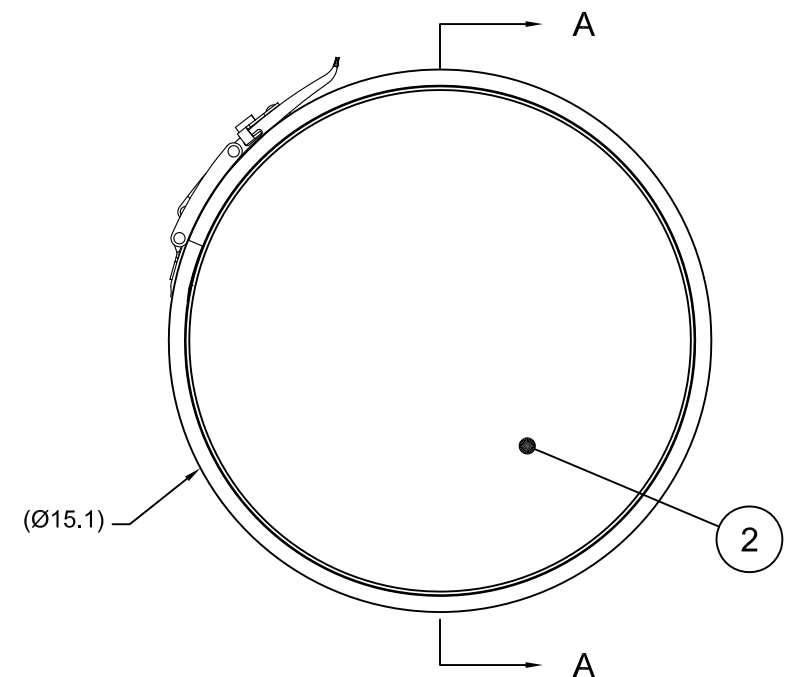
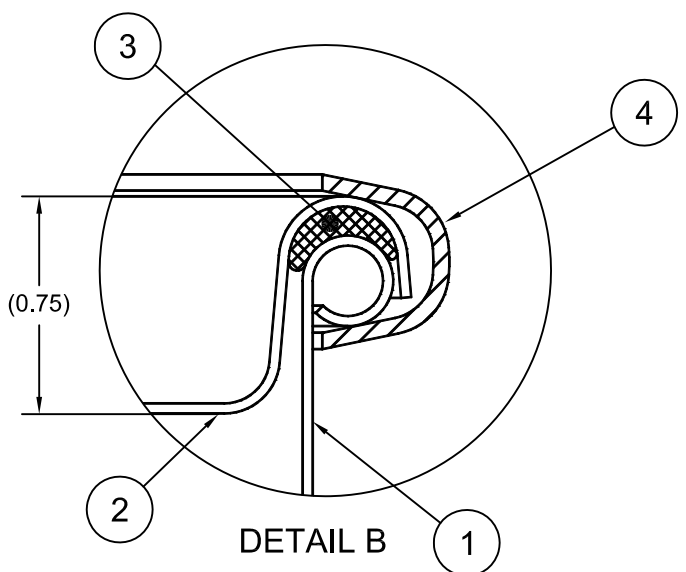
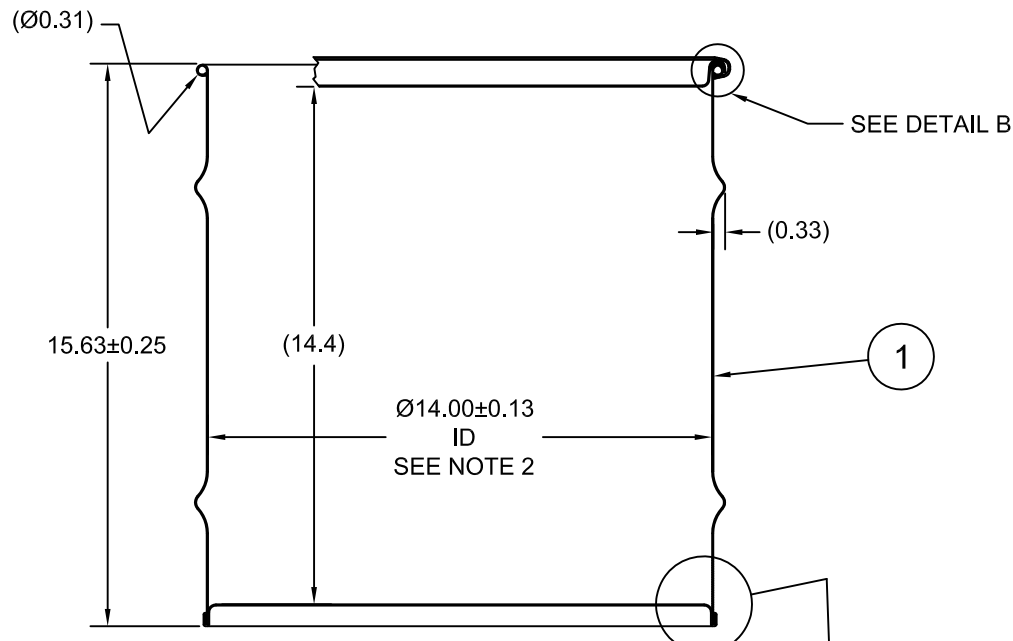
UNLESS STATED OTHERWISE
 (DIMENSIONS IN PARENTHESIS ARE FOR REFERENCE ONLY!!!)
 ALL DIMENSIONS ARE IN INCHES
 DO NOT SCALE DRAWING
 TOLERANCES:
 FRACTIONS ±1/4
 X° ± 3°
 X.X ± 0.2
 X.XX ± 0.10
 X.XXX ± 0.030

SKOLNIK INDUSTRIES, INC.
 4900 SOUTH KILBOURN AVENUE, CHICAGO, IL 60632

DESCRIPTION
 8 GALLON OPEN HEAD DRUM
 0.9 - 0.9 - 0.9 CRCQ STEEL
 1A2/X96/S

REL. DATE: 07-FEB-2008
 PART NUM. / FILENAME: CQ0802Q
 REV: B

SECTION A-A



UN NUMBER EMBOSSED ON BOTTOM OF DRUM
 ½" CHARACTERS :
 UN/1A2/X96/S/YR

B 0.9 *

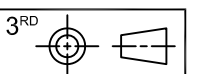
BEST PRINTED ON B-SIZE PAPER (YR = YEAR OF MANUFACTURE)

TARE WEIGHT:
 14 lbs

THE USE OF INFORMATION CONTAINED HEREIN IS RESTRICTED FOR THE BENEFIT OF SKOLNIK INDUSTRIES ONLY. UNAUTHORIZED USE OR DISCLOSURE, COPYING OR OTHERWISE REPRODUCING (IN ANY MANNER) ANY PORTION OF THIS DRAWING WITHOUT PRIOR WRITTEN PERMISSION OF AN AUTHORIZED OFFICIAL OF SKOLNIK INDUSTRIES IS STRICTLY PROHIBITED.

APPROVAL ON FILE

FILE CREATED IN AutoCAD



3RD