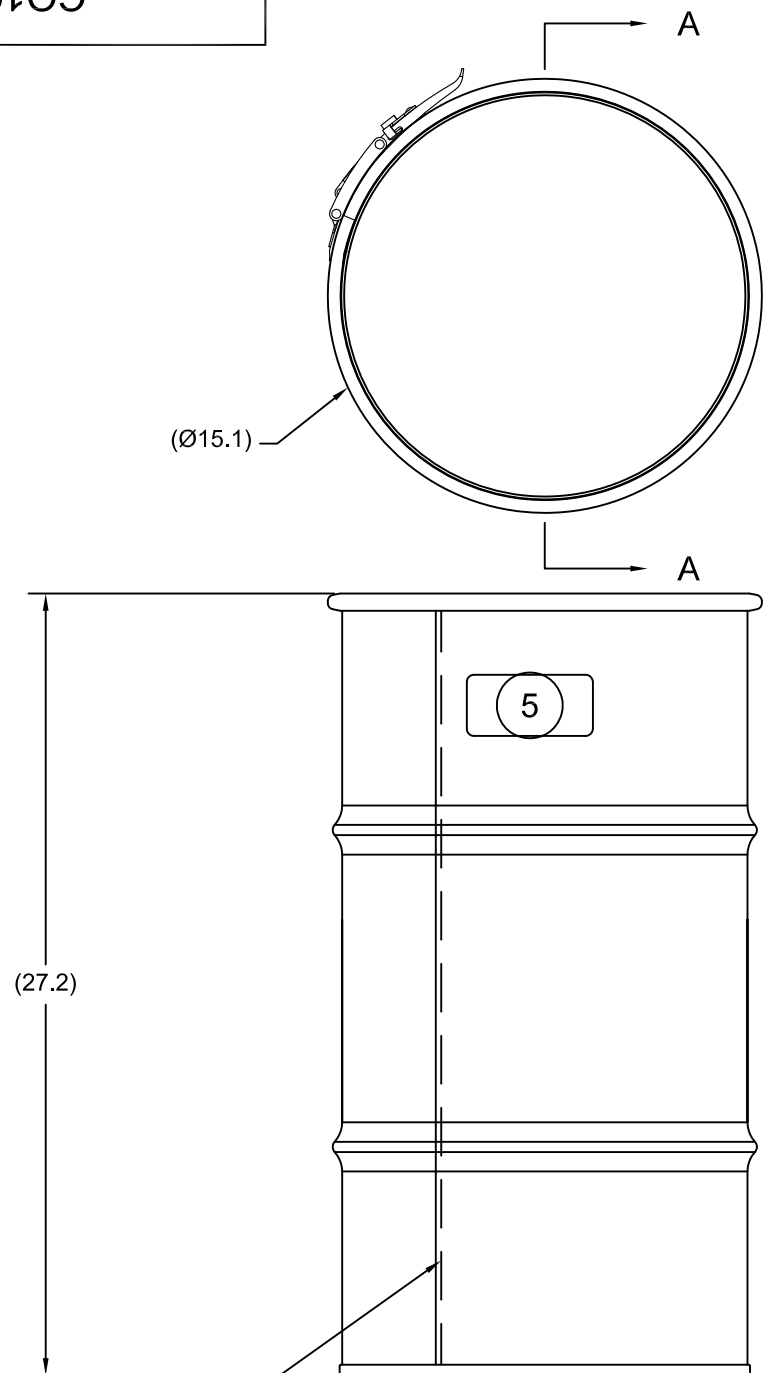
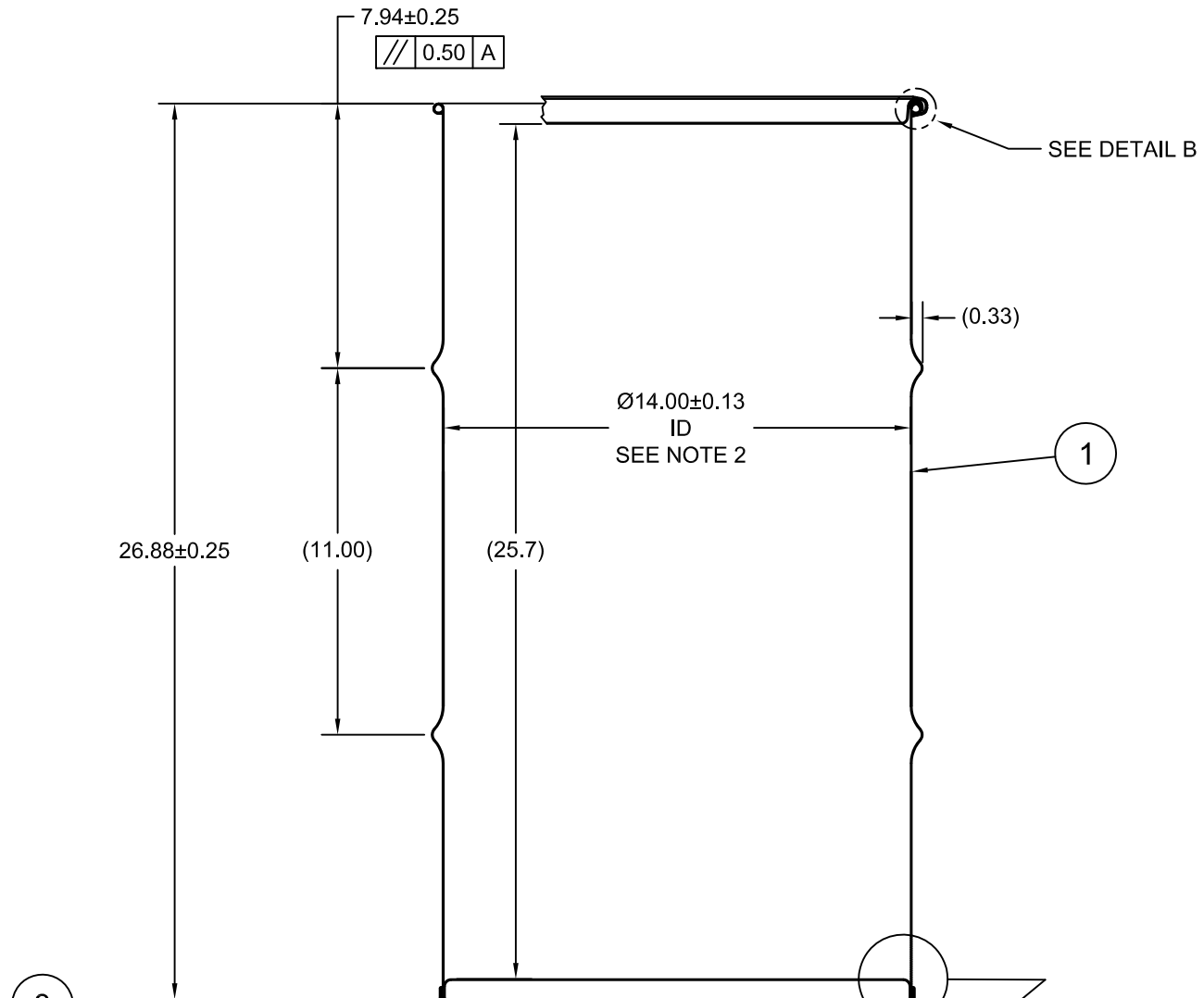


0209100

ECN # or INIT	REV	DESCRIPTION	DATE
	A	RELEASED	21-DEC-2009
OE-001	A1	CLERICAL ERROR	21-DEC-2009
OE-001	A2	CLERICAL ERROR	01-APR-2013
		CORRECTED RING PROFILE & REVISED HOOP PROFILE	
OE-013	A3		19-APR-2013
17-001	A4	REMOVED LIQUID RATING	03-APR-2017
17-003	B	COVER WAS 18GA	09-APR-2018
OE-019	B1	UPDATED FOR NEW STEEL THICKNESS	09-APR-2018



SECTION A-A



NOTES:

1. THESE DIMENSIONS REPRESENT DRUM AFTER BEING PROPERLY ASSEMBLED AND CLOSED PER SKOLNIK CLOSING INSTRUCTIONS
2. TO DETERMINE GREATER ACCURACY OF ANY DIAMETRIC DIMENSION, MEASURING OF CIRCUMFERENCE IS REQUIRED
3. CONSTRUCTION per 49 CFR § 178.504 (b)

MATERIAL:

1. DRUM BODY AND COVER CRCQ CARBON STEEL PER ASTM A1008 AND ASTM A568
2. MATERIAL THICKNESS COVER 0.9mm (0.033 - 0.037, 20 GAUGE)
3. GASKET MAT'L PER ASTM D1056

FINISH:

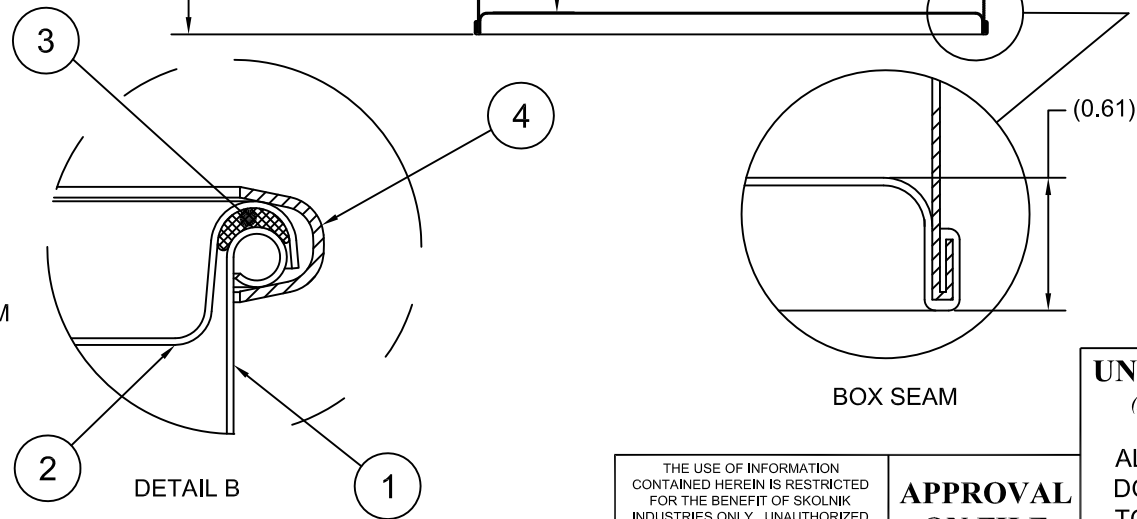
1. DRUM BODY EXTERIOR PAINTED BLACK (LQ10003)
- COVER EXTERIOR PAINTED WHITE (LQ10020)

OVERLAP WELD

(Ø14.3) SEE NOTE 2

UN NUMBER EMBOSSED ON BOTTOM OF DRUM
1/2" CHARACTERS READING:
UN/1A2/Y200/S/YR

0.9 * (YR = YEAR OF MANUFACTURE)



ITEM	P/N	DESCRIPTION	QTY
5		UN DURABLE LABEL	1
4	RQ0516	OUTSIDE LEVERLOCK RING	1
3	GE0503-01	GASKET, 3/8 ROUND EPDM	1
2	P1409	COVER 14in ID	1
1		BODY/BOTTOM 16 GALLON DRUM 14 ID	1

UNLESS STATED OTHERWISE
(DIMENSIONS IN PARENTHESIS ARE FOR REFERENCE ONLY!!)

ALL DIMENSIONS ARE IN INCHES
DO NOT SCALE DRAWING
TOLERANCES:
FRACTIONS ±1/4

X° ± 3°
X.X ± 0.2
X.XX ± 0.10
X.XXX ± 0.030

SKOLNIK INDUSTRIES, INC.
4900 SOUTH KILBOURN AVENUE, CHICAGO, IL 60632

DESCRIPTION
16 GALLON OPEN HEAD DRUM
0.9 - 0.9 - 0.9 CRCQ STEEL
1A2/Y200/S

REL. DATE: 21-DEC-2009
PART NUM. / FILENAME: CQ1602Q
REV: B1

THE USE OF INFORMATION CONTAINED HEREIN IS RESTRICTED FOR THE BENEFIT OF SKOLNIK INDUSTRIES ONLY. UNAUTHORIZED USE OR DISCLOSURE, COPYING OR OTHERWISE REPRODUCING (IN ANY MANNER) ANY PORTION OF THIS DRAWING WITHOUT PRIOR WRITTEN PERMISSION OF AN AUTHORIZED OFFICIAL OF SKOLNIK INDUSTRIES IS STRICTLY PROHIBITED.

APPROVAL ON FILE

FILE CREATED IN AutoCAD

TARE WEIGHT:
19 lbs