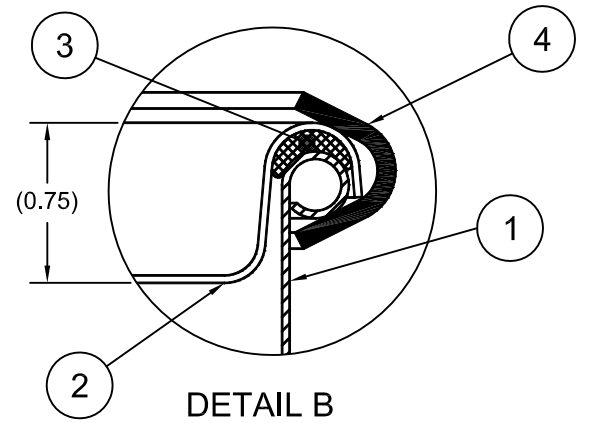
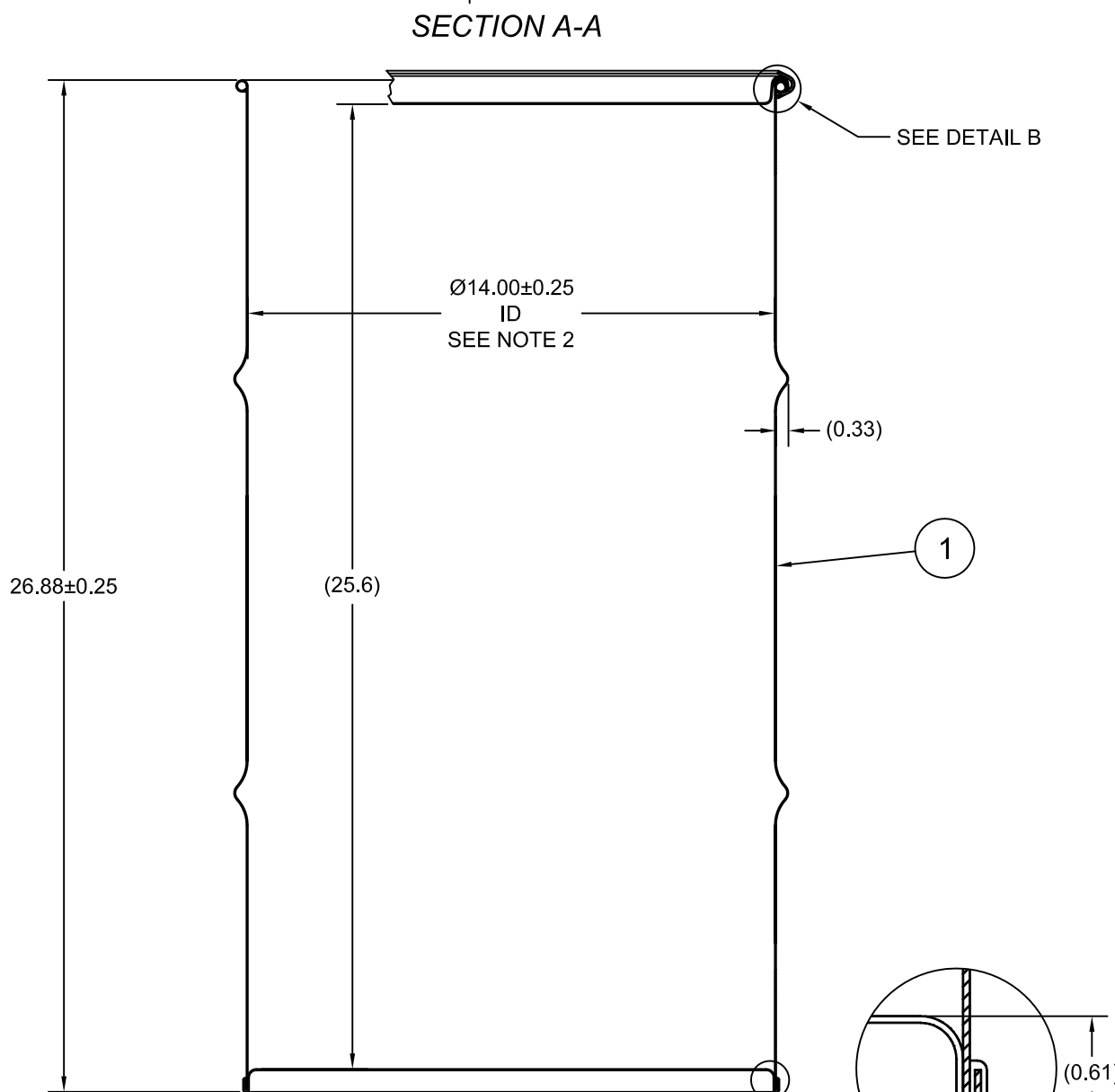
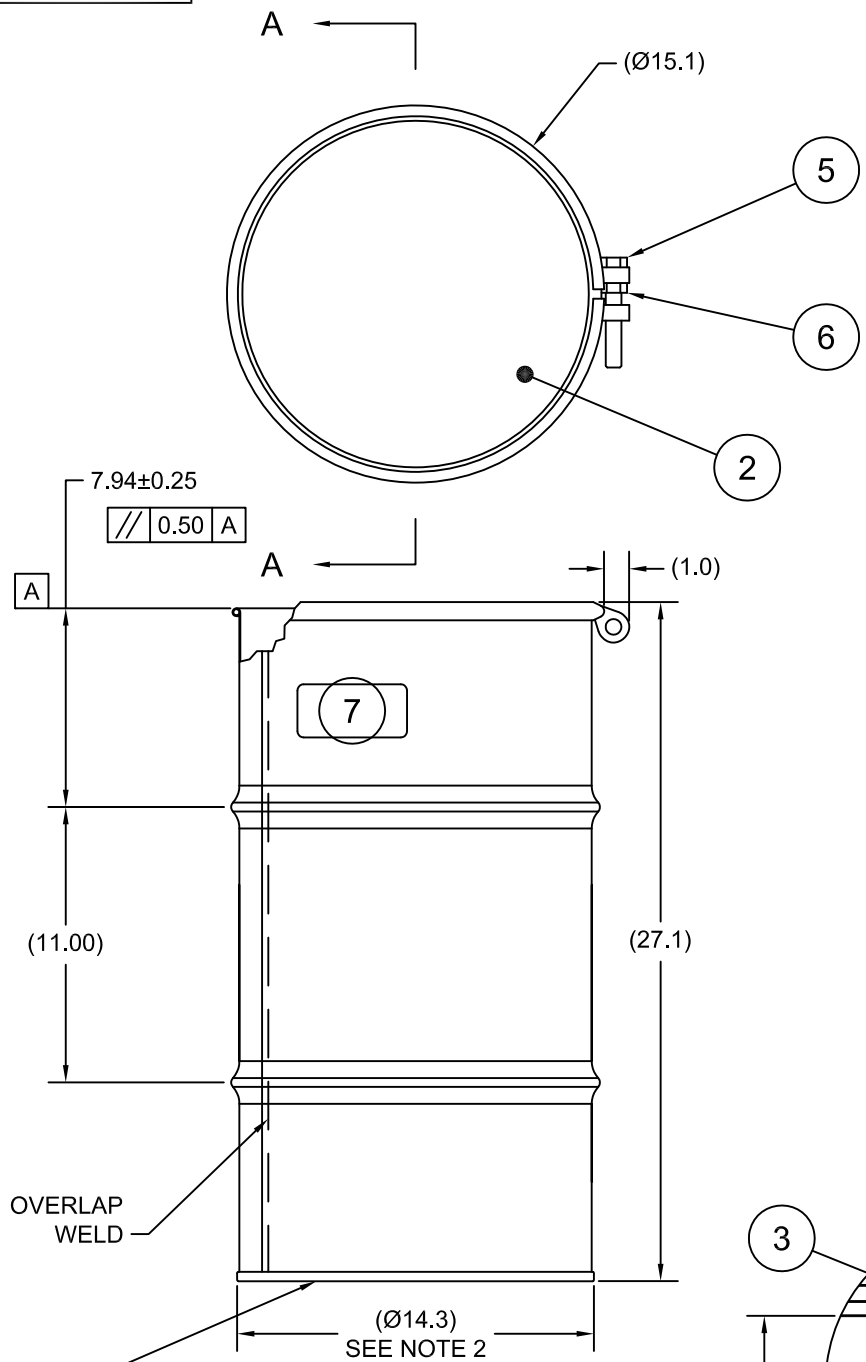


Z09100

ECN # or INIT	REV	DESCRIPTION	DATE
OE-005	A1	REDRAWN TO AutoCAD	07-SEP-2010
OE-001	A2	CLERICAL ERROR	07-JUN-2011
OE-013	A3	CORRECTED HOOP PROFILE	19-APR-2013



NOTES:

1. THIS DIMENSION REPRESENTS DRUM AFTER BEING PROPERLY ASSEMBLED AND CLOSED PER SKOLNIK CLOSING INSTRUCTIONS.
2. TO DETERMINE GREATER ACCURACY OF ANY DIAMETRIC DIMENSION, MEASURING OF CIRCUMFERENCE IS REQUIRED
3. CONSTRUCTION per 49 CFR §178.504 (b)

MATERIAL:

1. DRUM BODY AND COVER CRCQ CARBON STEEL PER ASTM A1008 AND ASTM A568 OR EQUIVALENT
2. MATERIAL THICKNESS 0.9mm (0.0319 - 0.0370, 20 GAUGE)
3. GASKET MAT'L PER ASTM D1056

FINISH:

1. COVER EXTERIOR PAINTED WHITE (LQ10020)
- BODY/BOTTOM EXTERIOR PAINTED BLACK (LQ10003)

ITEM	P/N	DESCRIPTION	QTY
7		UN DURABLE LABEL	1
6	NT5800	5/8-11UNC HEX JAM NUT	1
5	BT5840	5/8-11UNC X 4in LONG HEX HEAD BOLT	1
4	RBH1413	3 - 16 GAL BOLT RING (HP) 13 GA 5/8 LUG	1
3	GE0503-01	GASKET, EPDM, Ø3/8	1
2	P1409	COVER, Ø14.00 ID DRUM, CRCQ STEEL	1
1		BODY/BOTTOM 16 GALLON DRUM 14.0 ID	1

UN NUMBER EMBOSSED ON BOTTOM OF DRUM
 1/2" CHARACTERS READING:
 UN/1A2/X200/S/YR
 UN/1A2/Y1.5/150/YR
 0.9 *
 (YR = YEAR OF MANUFACTURE)

TARE WEIGHT:
 19 lbs

THE USE OF INFORMATION CONTAINED HEREIN IS RESTRICTED FOR THE BENEFIT OF SKOLNIK INDUSTRIES ONLY. UNAUTHORIZED USE OR DISCLOSURE, COPYING OR OTHERWISE REPRODUCING (IN ANY MANNER) ANY PORTION OF THIS DRAWING WITHOUT PRIOR WRITTEN PERMISSION OF AN AUTHORIZED OFFICIAL OF SKOLNIK INDUSTRIES IS STRICTLY PROHIBITED.

MFG BR	DRW LJT	CHK BL	UNLESS STATED OTHERWISE (DIMENSIONS IN PARENTHESIS ARE FOR REFERENCE ONLY!!!) ALL DIMENSIONS ARE IN INCHES DO NOT SCALE DRAWING TOLERANCES: FRACTIONS ±1/4 X° ± 3° X.X ± 0.2 X.XX ± 0.10 X.XXX ± 0.030
SLS DR	QA MD	MG G. Petersen	
FILE CREATED IN AutoCAD 2002	3 RD		

SKOLNIK INDUSTRIES, INC.
 4900 SOUTH KILBOURN AVENUE, CHICAGO, IL 60632

DESCRIPTION
 16 GALLON OPEN HEAD DRUM
 0.9 - 0.9 - 0.9 CRCQ STEEL
 1A2/X200/S & 1A2/Y1.5/150

REL. DATE 07-SEP-2010	PART NUM. / FILENAME CQ1602	REV A3
--------------------------	--------------------------------	-----------