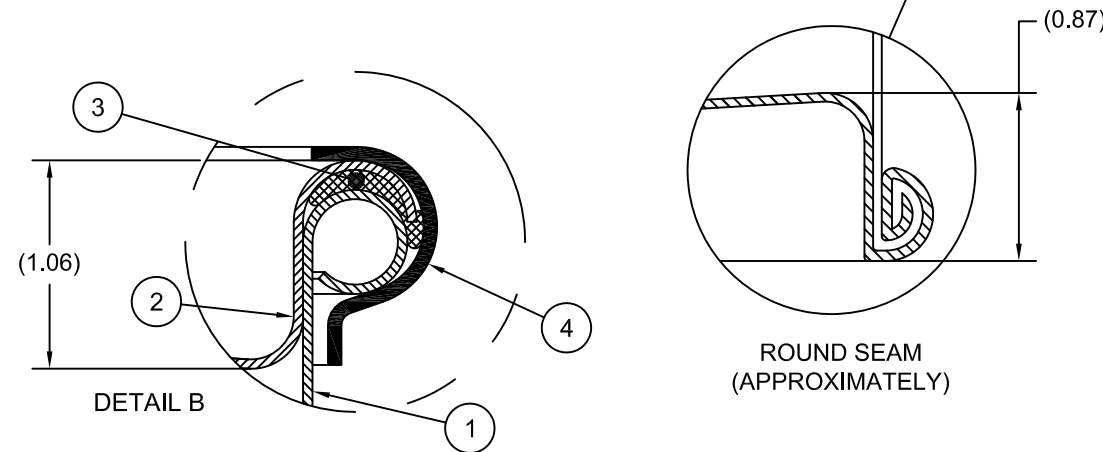
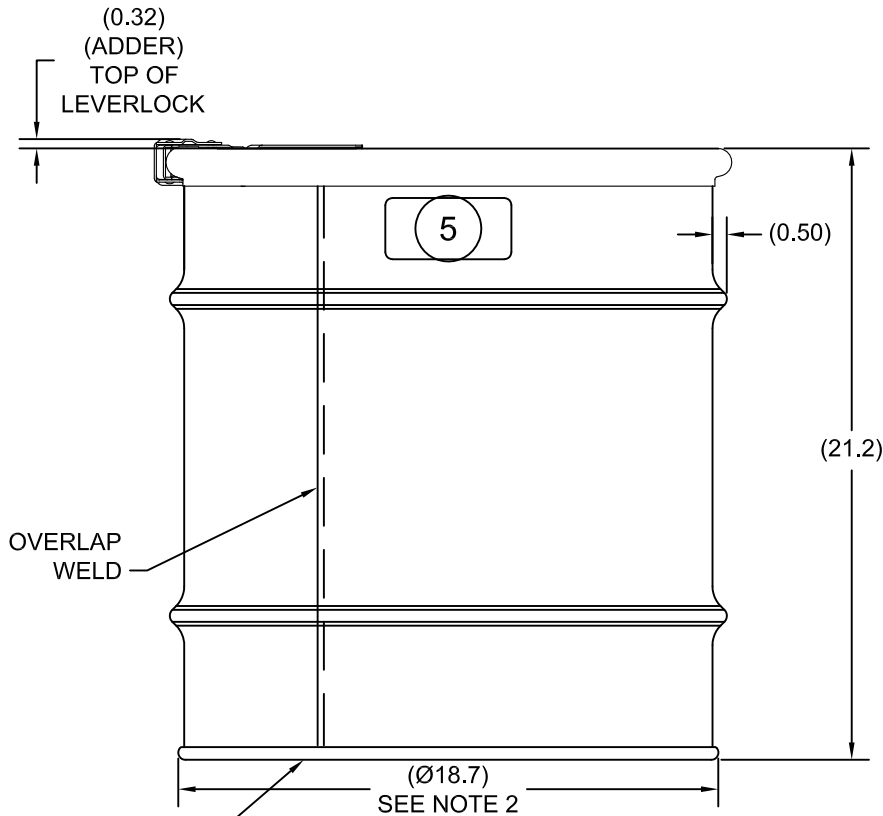
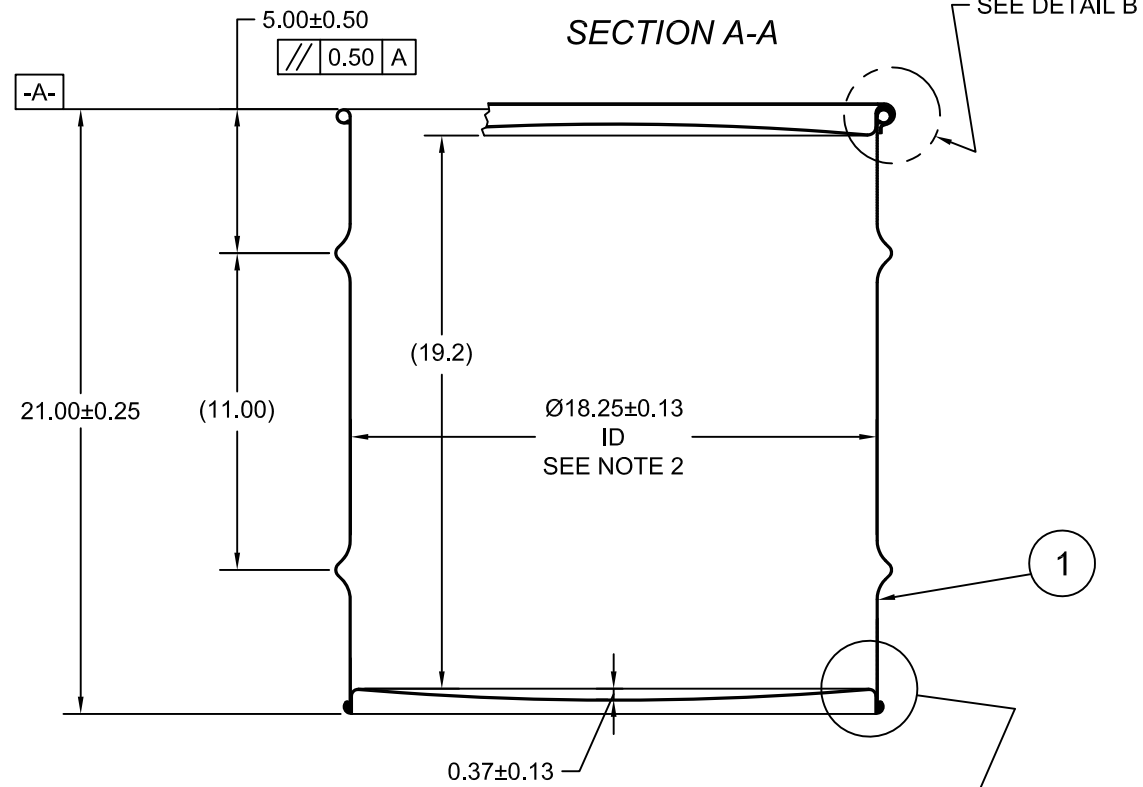
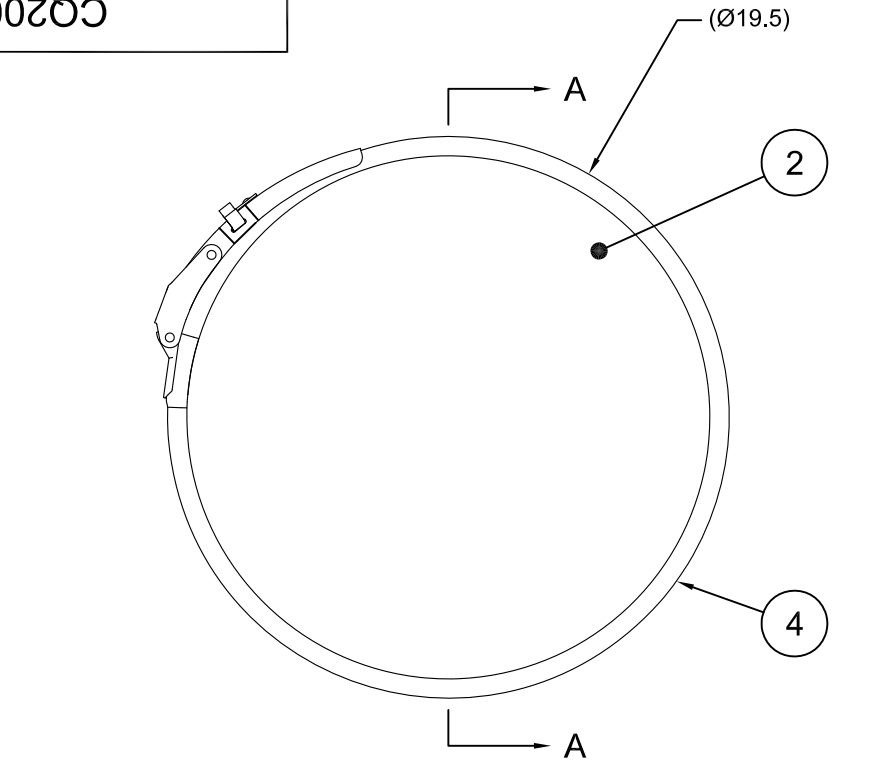


0900Z00

ECN # or INIT	REV	DESCRIPTION	DATE
	A1	REDRAWN IN AutoCAD	06-MAR-2009
OE-001	A2	CLERICAL ERROR	18-MAY-2011
OE-001	A3	CLERICAL ERROR	23-JAN-2013
LJT	A4	ADDED STANDARDIZATION	29-APR-2013
LJT	A5	CORRECTED REVISION MARK	30-JAN-2015
17-001	A6	REMOVED LIQUID RATING	03-APR-2017



NOTES:
 1. THESE DIMENSIONS REPRESENT DRUM AFTER BEING PROPERLY ASSEMBLED AND CLOSED PER SKOLNIK CLOSING INSTRUCTIONS
 2. TO DETERMINE GREATER ACCURACY OF ANY DIAMETRIC DIMENSION, MEASURING OF CIRCUMFERENCE IS REQUIRED
 3. CONSTRUCTION per 49 CFR §178.504 (b)

MATERIAL:
 1. DRUM BODY AND COVER CRCQ CARBON STEEL PER ASTM A1008 AND ASTM A568
 2. MATERIAL THICKNESS 1.2mm (0.0433 - 0.0480; 18 GAUGE)
 3. GASKET MAT'L PER ASTM D1056

FINISH:
 1. DRUM BODY/BOTTOM EXTERIOR PAINTED BLACK (LQ10003). COVER EXTERIOR PAINTED WHITE (LQ10020)

ITEM	P/N	DESCRIPTION	QTY
5		UN DURABLE LABEL	1
4	RQ2013	20/30 GAL OUTSIDE LEVERLOCK RING	1
3	GE2000	GASKET EPDM IN-COVER D	1
2	P1812	COVER, Ø18.25 DRUM, CRCQ STEEL	1
1		BODY/BOTTOM 20 GALLON Ø18.25 ID	1

BEST PRINTED ON B-SIZE PAPER

UN NUMBER EMBOSSED ON BOTTOM OF DRUM
 ½" CHARACTERS READING: UN1A2/X220/S/YR

1.2 *
 (YR = YEAR OF MANUFACTURE)

TARE WEIGHT:
 27 lbs

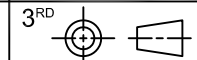
THE USE OF INFORMATION CONTAINED HEREIN IS RESTRICTED FOR THE BENEFIT OF SKOLNIK INDUSTRIES ONLY. UNAUTHORIZED USE OR DISCLOSURE, COPYING OR OTHERWISE REPRODUCING (IN ANY MANNER) ANY PORTION OF THIS DRAWING WITHOUT PRIOR WRITTEN PERMISSION OF AN AUTHORIZED OFFICIAL OF SKOLNIK INDUSTRIES IS STRICTLY PROHIBITED.

APPROVAL ON FILE

FILE CREATED IN AutoCAD

UNLESS STATED OTHERWISE

(DIMENSIONS IN PARENTHESIS ARE FOR REFERENCE ONLY!!!)
 ALL DIMENSIONS ARE IN INCHES
 DO NOT SCALE DRAWING
 TOLERANCES:
 FRACTIONS ±1/4
 X° ± 3°
 X.X ± 0.2
 X.XX ± 0.10
 X.XXX ± 0.030



SKOLNIK INDUSTRIES, INC.
 4900 SOUTH KILBOURN AVENUE, CHICAGO, IL 60632

DESCRIPTION
 20 GALLON OPEN HEAD DRUM
 1.2 - 1.2 - 1.2 CRCQ
 1A2/X220/S

REL. DATE: - PART NUM./FILENAME: CQ2006Q REV: A5