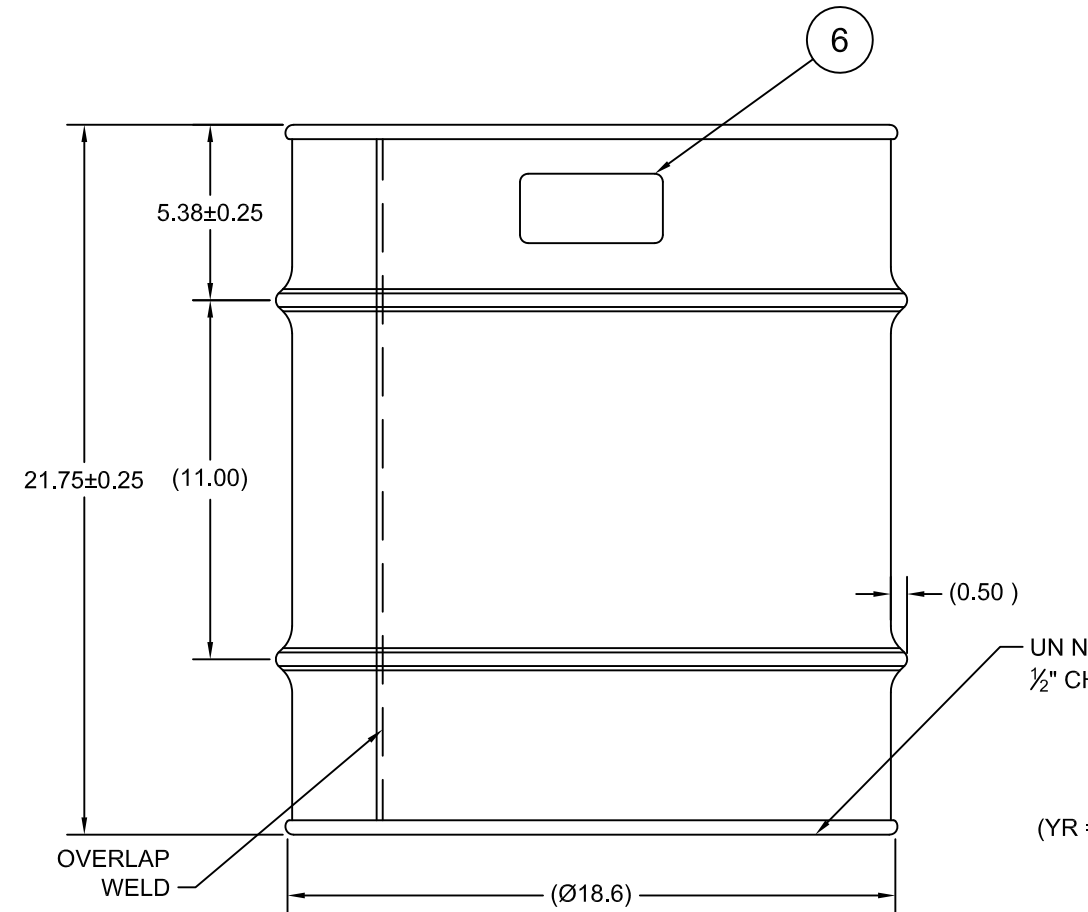
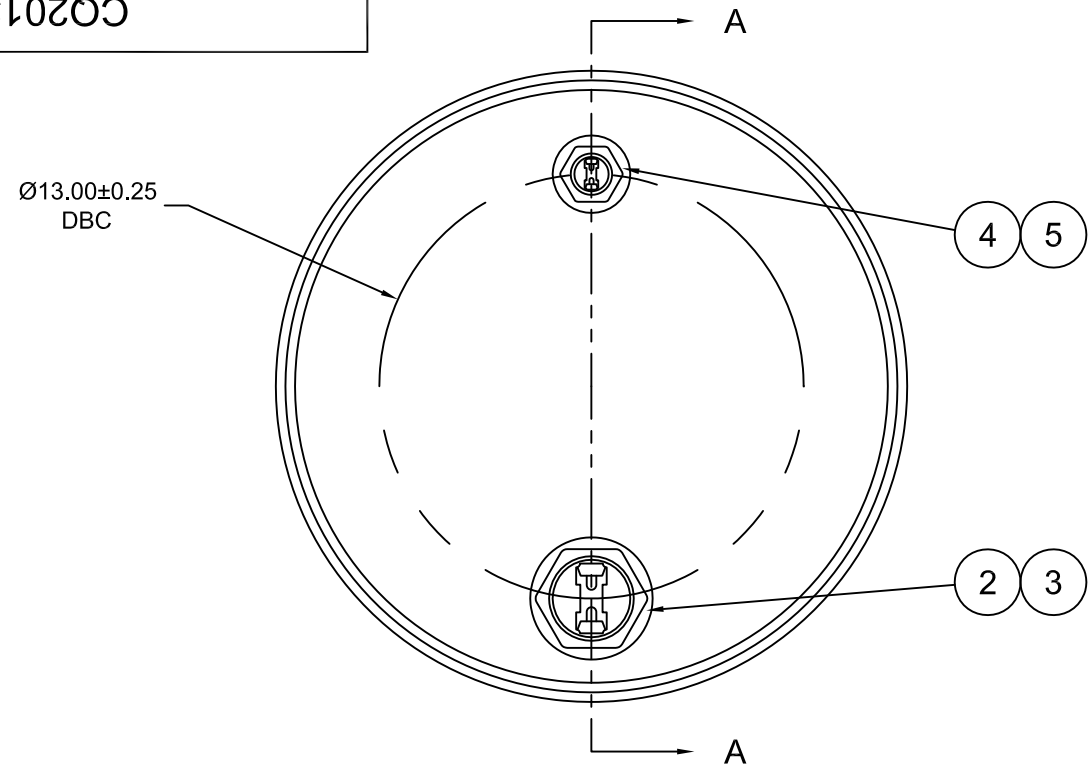
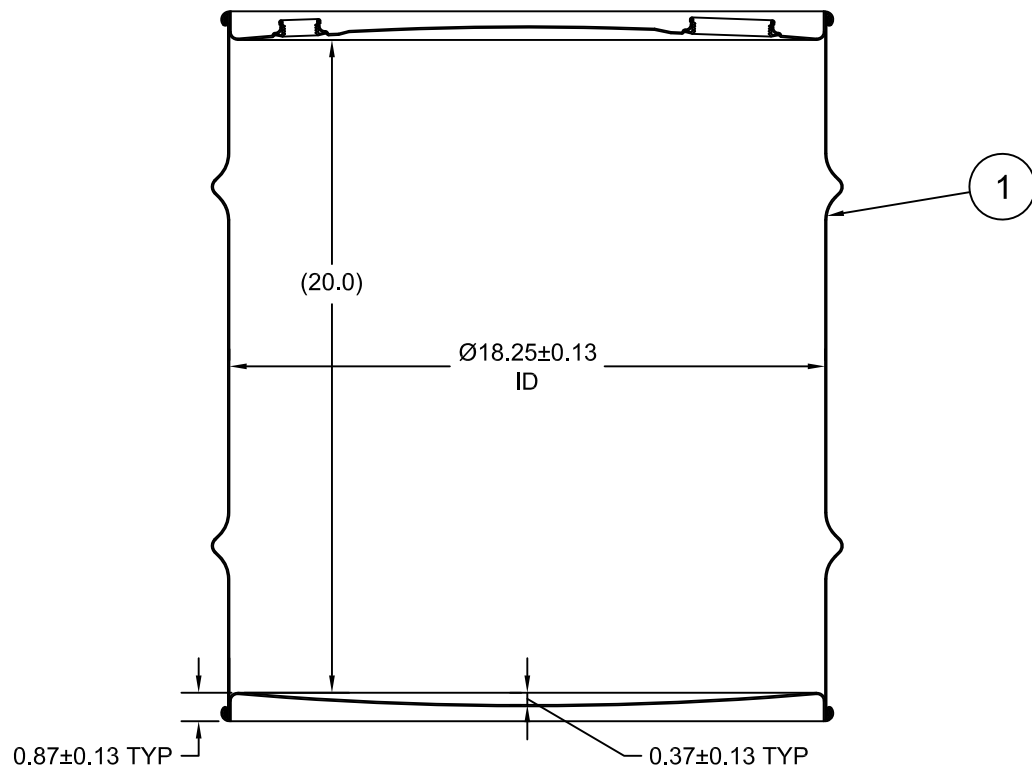


310200



SECTION A-A  
(SHOWN W/ PLUGS REMOVED)



| ECN #  | REV | DESCRIPTION                         | DATE        |
|--------|-----|-------------------------------------|-------------|
|        | A   | RELEASED                            | 12-MAY-2008 |
| 07-021 | A1  | WAS BOX CHIME (DRAWING UPDATE ONLY) | 19-JAN-2012 |
| OE-001 | A2  | CLERICAL ERROR                      | 01-APR-2013 |

NOTES:

- TO DETERMINE GREATER ACCURACY OF ANY DIAMETRIC DIMENSION, MEASURING OF CIRCUMFERENCE IS REQUIRED
- CONSTRUCTION per 49 CFR §178.504 (b)

MATERIAL:

- DRUM BODY AND COVER CRCQ CARBON STEEL PER ASTM A1008 OR ASTM A568 OR EQUIVALENT
- MATERIAL THICKNESS: TOP & BOTTOM 1.5mm (0.0543 - 0.0590; 16 GAUGE), BODY 0.9mm (0.0319 - 0.0370; 20 GAUGE)

FINISH:

- BODY/BOTTOM EXTERIOR PAINTED BLACK (LQ10003)
- TOP EXTERIOR PAINTED WHITE (LQ10020)

| ITEM | P/N    | DESCRIPTION               | QTY |
|------|--------|---------------------------|-----|
| 6    |        | UN DURABLE LABEL          | 1   |
| 5    | PT3000 | PLUG 3/4 TS BUNA GASKET   | 1   |
| 4    | FT3000 | FLANGE 3/4 TS BUNA GASKET | 1   |
| 3    | PT2000 | PLUG 2 TS BUNA GASKET     | 1   |
| 2    | FT2000 | FLANGE 2 TS BUNA GASKET   | 1   |
| 1    |        | 20 GALLON TIGHT HEAD      | 1   |

UN NUMBER EMBOSSED ON BOTTOM OF DRUM  
 1/2" CHARACTERS READING:  
 UN/1A1/X1.2/300/YR  
 1.5 - 0.9 - 1.5 \*  
 (YR = YEAR OF MANUFACTURE)

TARE WEIGHT:  
26 lbs

THE USE OF INFORMATION CONTAINED HEREIN IS RESTRICTED FOR THE BENEFIT OF SKOLNIK INDUSTRIES ONLY. UNAUTHORIZED USE OR DISCLOSURE, COPYING OR OTHERWISE REPRODUCING (IN ANY MANNER) ANY PORTION OF THIS DRAWING WITHOUT PRIOR WRITTEN PERMISSION OF AN AUTHORIZED OFFICIAL OF SKOLNIK INDUSTRIES IS STRICTLY PROHIBITED.

|                                 |            |           |
|---------------------------------|------------|-----------|
| MFG<br>JR                       | DRW<br>LJT | CHK<br>JM |
| SLS<br>DR                       | QA<br>MD   |           |
| APR<br>Bora Rasic               |            |           |
| FILE CREATED IN<br>AutoCAD 2002 |            |           |

UNLESS STATED OTHERWISE

(DIMENSIONS IN PARENTHESIS ARE FOR REFERENCE ONLY!!!)  
 ALL DIMENSIONS ARE IN INCHES  
 DO NOT SCALE DRAWING  
 TOLERANCES:  
 FRACTIONS ±1/4  
 X° ± 3°  
 X.X ± 0.2  
 X.XX ± 0.10  
 X.XXX ± 0.030

|  |                                |           |
|--|--------------------------------|-----------|
| 4900 SOUTH KILBOURN AVENUE, CHICAGO, IL 60632  |                                |           |
| DESCRIPTION<br>20 GALLON TIGHT HEAD DRUM<br>1.5 - 0.9 - 1.5 CRCQ STEEL<br>1A1/X1.2/300 |                                |           |
| REL. DATE<br>12-MAY-2008   | PART NUM. / FILENAME<br>CQ2013 | REV<br>A2 |