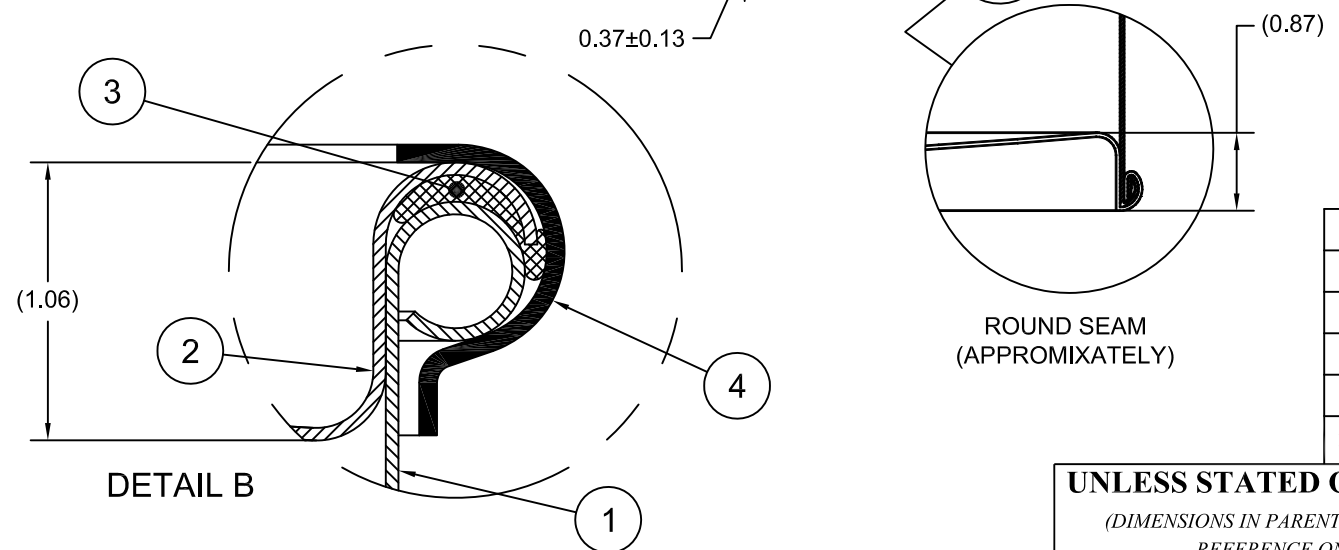
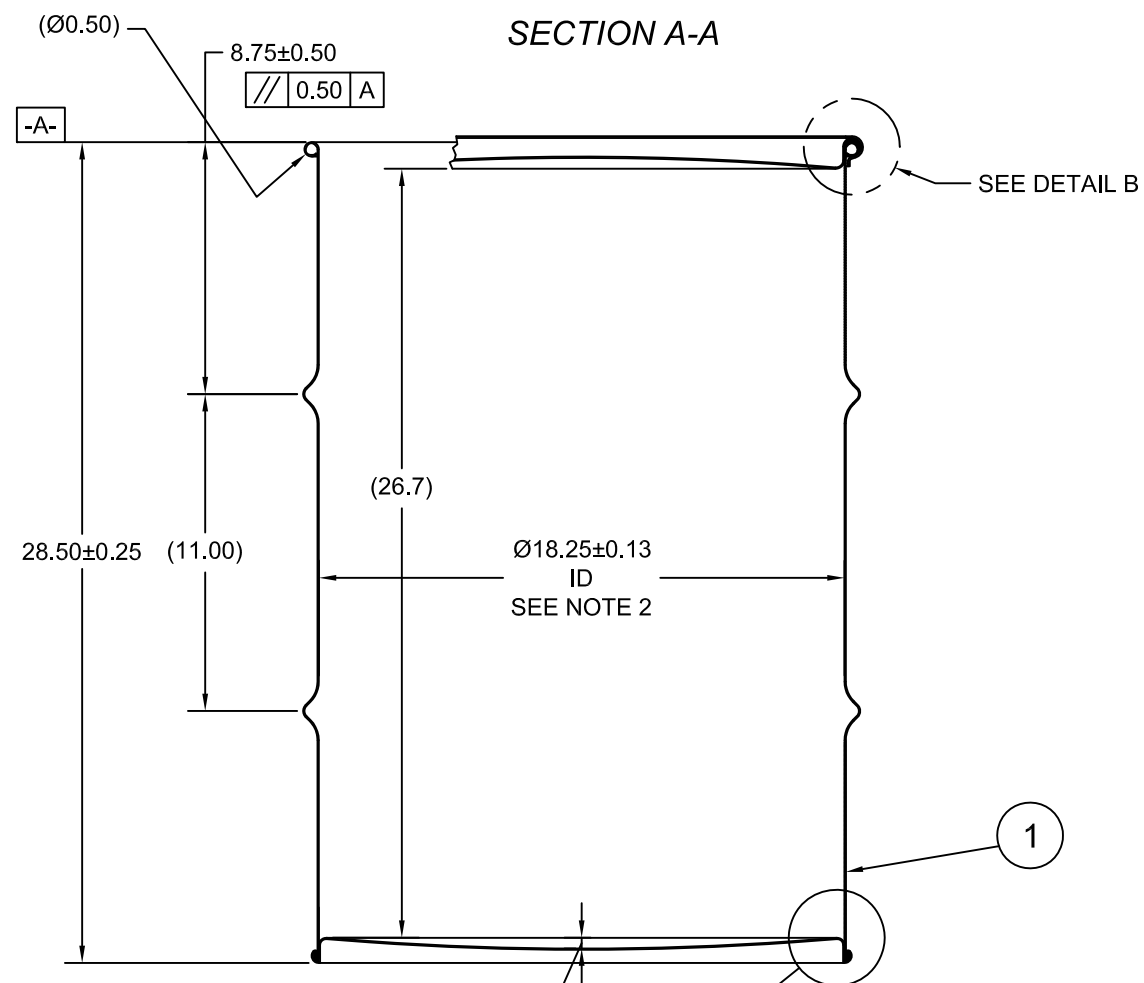
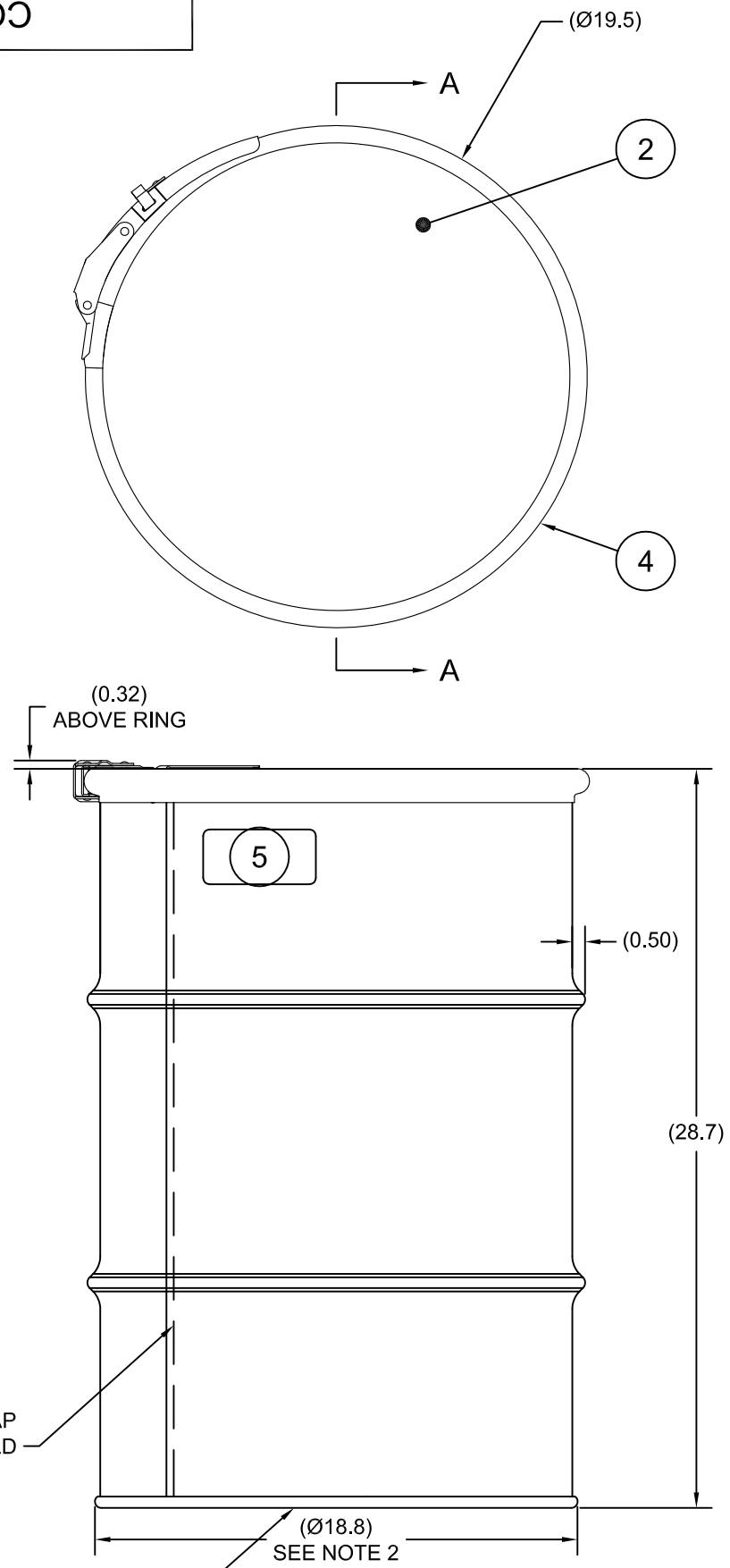


CQ3005Q

ECN # or INIT	REV	DESCRIPTION	DATE
OE-005	A1	REDRAWN IN AutoCAD	18-APR-2013
17-001	A2	REMOVED LIQUID RATING	03-APR-2017



NOTES:

1. THESE DIMENSIONS REPRESENT DRUM AFTER BEING PROPERLY ASSEMBLED AND CLOSED PER SKOLNIK CLOSING INSTRUCTIONS
2. TO DETERMINE GREATER ACCURACY OF ANY DIAMETRIC DIMENSION, MEASURING OF CIRCUMFERENCE IS REQUIRED
3. CONSTRUCTION per 49 CFR §178.504 (b)

MATERIAL:

1. DRUM BODY AND COVER CRCQ CARBON STEEL PER ASTM A1008 AND ASTM A568
2. MATERIAL THICKNESS: 1.2mm (0.0433 - 0.0480, 18 GAUGE)
3. GASKET MAT'L PER ASTM D1056

FINISH:

1. COVER EXTERIOR PAINTED WHITE (LQ10020)
DRUM BODY/BOTTOM EXTERIOR PAINTED BLACK (LQ10003).

ITEM	P/N	DESCRIPTION	QTY
5		UN DURABLE LABEL	1
4	RQ2013	20/30 GAL OUTSIDE LEVERLOCK RING	1
3	GE2000	GASKET EPDM IN-COVER D	1
2	P1812	COVER, Ø18.25 DRUM, CRCQ STEEL	1
1		30 GALLON DRUM BODY AND BOTTOM	1

UNLESS STATED OTHERWISE

(DIMENSIONS IN PARENTHESIS ARE FOR REFERENCE ONLY!!!)

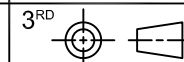
ALL DIMENSIONS ARE IN INCHES
DO NOT SCALE DRAWING

TOLERANCES:
FRACTIONS ±1/4

X° ± 3°
X.X ± 0.2
X.XX ± 0.10
X.XXX ± 0.030

APPROVAL ON FILE

FILE CREATED IN AutoCAD



THE USE OF INFORMATION CONTAINED HEREIN IS RESTRICTED FOR THE BENEFIT OF SKOLNIK INDUSTRIES ONLY. UNAUTHORIZED USE OR DISCLOSURE, COPYING OR OTHERWISE REPRODUCING (IN ANY MANNER) ANY PORTION OF THIS DRAWING WITHOUT PRIOR WRITTEN PERMISSION OF AN AUTHORIZED OFFICIAL OF SKOLNIK INDUSTRIES IS STRICTLY PROHIBITED.

UN/1A2/X235/S/YR

1.2 *

TARE WEIGHT:
33 lbs

(YR = YEAR OF MANUFACTURE)

SKOLNIK INDUSTRIES, INC.
4900 SOUTH KILBOURN AVENUE, CHICAGO, IL 60632

DESCRIPTION
30 GALLON OPEN HEAD DRUM
1.2 - 1.2 - 1.2 CRCQ STEEL
1A2/X235/S

REL. DATE

-

PART NUM. / FILENAME

CQ3005Q

REV

A2

BEST PRINTED ON B-SIZE PAPER 1/2" CHARACTERS READING:

UN NUMBER EMBOSSED ON BOTTOM OF DRUM