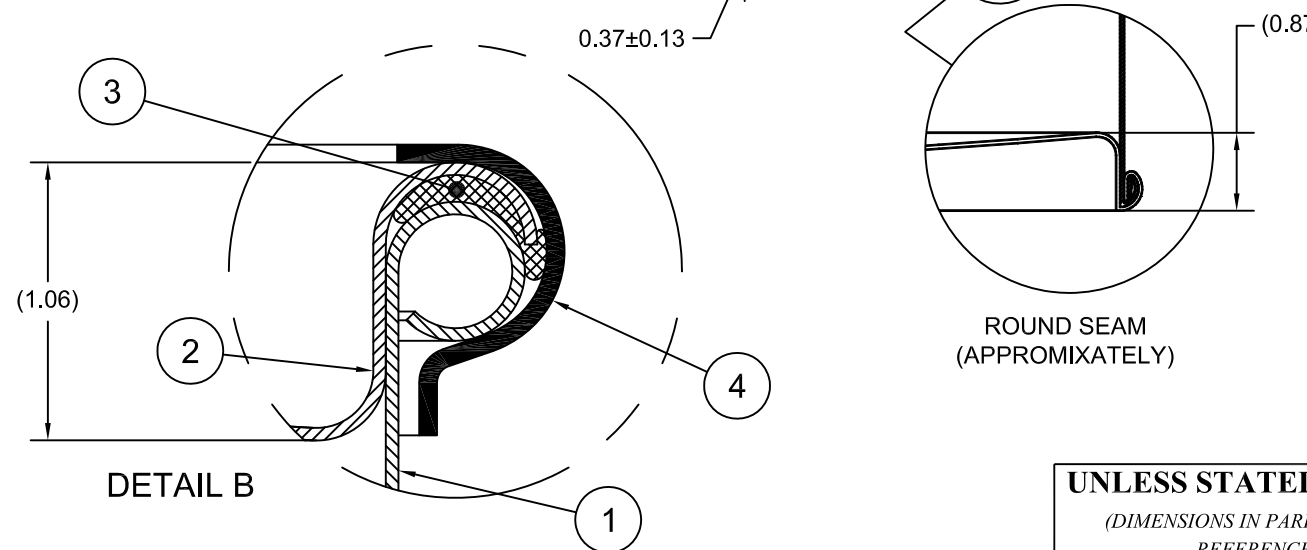
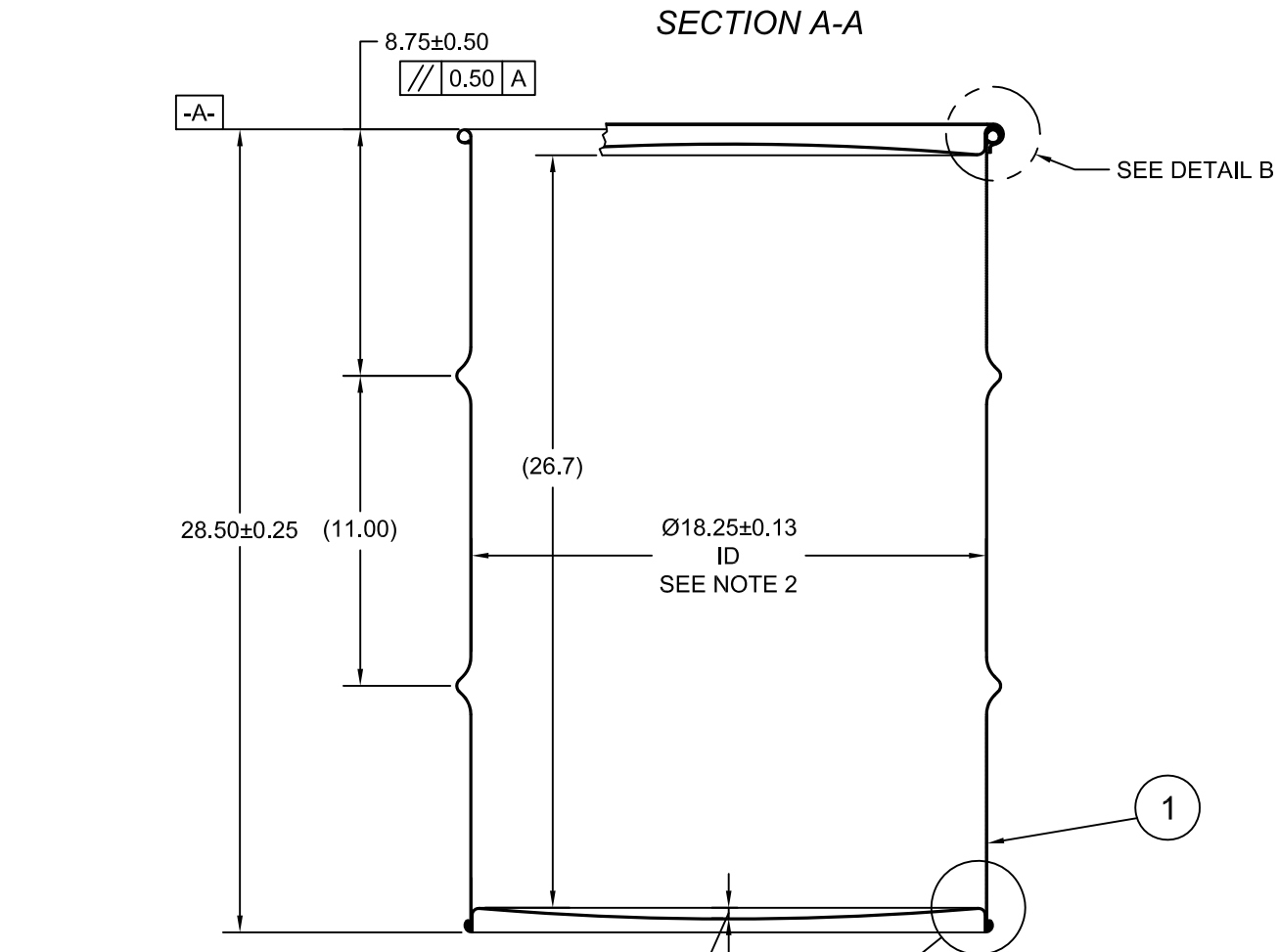
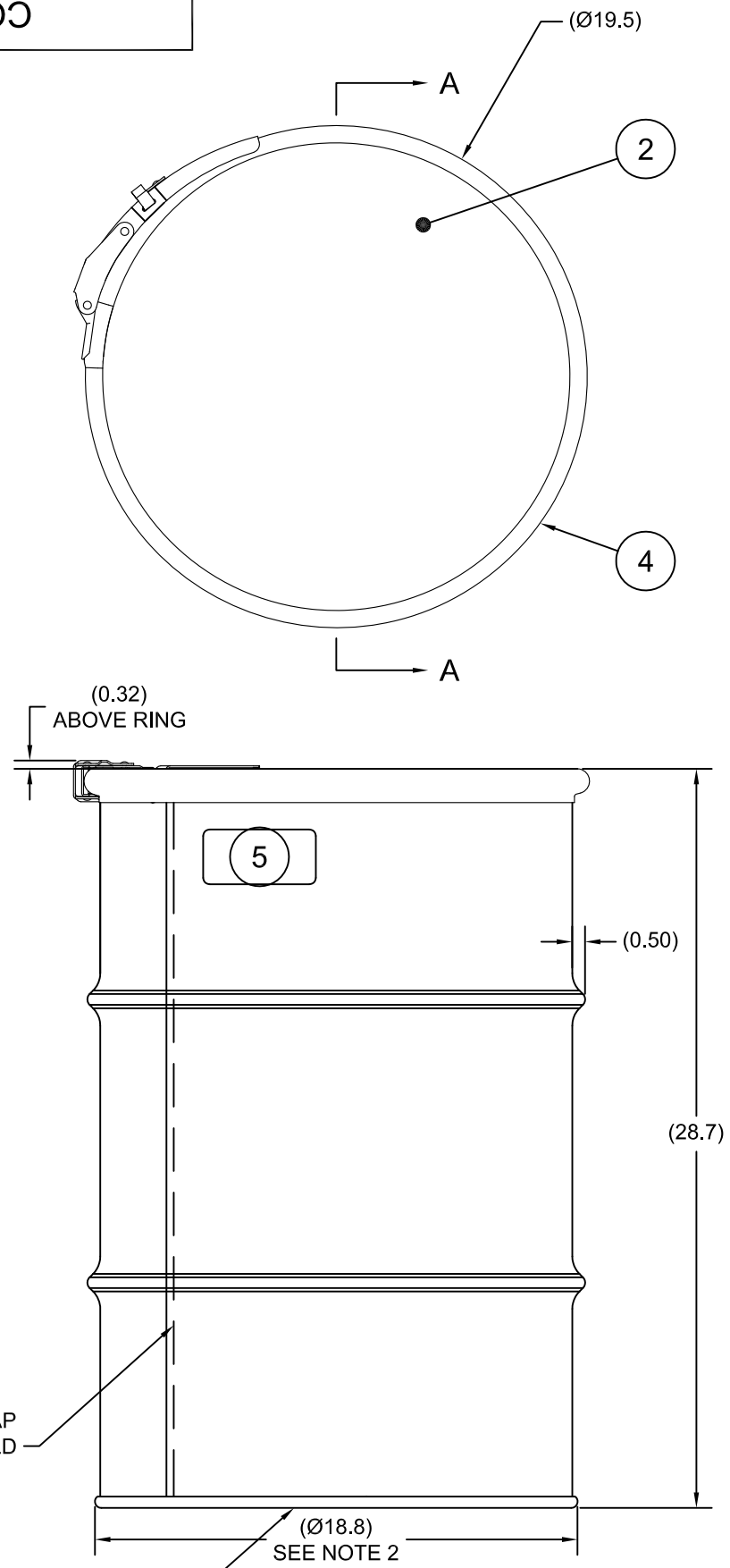


CQ3007Q

ECN # or INIT	REV	DESCRIPTION	DATE
	A1	DRAWN IN AutoCAD	03-FEB-2009
OE-005	A2	CLERICAL ERROR	01-APR-2010
OE-001	A3	CLERICAL ERROR	18-APR-2013
17-001	A4	REMOVED LIQUID RATING	03-APR-2017



NOTES:

1. THESE DIMENSIONS REPRESENT DRUM AFTER BEING PROPERLY ASSEMBLED AND CLOSED PER SKOLNIK CLOSING INSTRUCTIONS
2. TO DETERMINE GREATER ACCURACY OF ANY DIAMETRIC DIMENSION, MEASURING OF CIRCUMFERENCE IS REQUIRED
3. CONSTRUCTION per 49 CFR §178.504 (b)

MATERIAL:

1. DRUM BODY AND COVER CRCQ CARBON STEEL PER ASTM A1008 AND ASTM A568
2. MATERIAL THICKNESS: COVER 1.5mm (0.0543 - 0.0590, 16 GAUGE), BODY/BOTTOM 1.2mm (0.0433 - 0.0480, 18 GAUGE)
3. GASKET MAT'L PER ASTM D1056

FINISH:

1. COVER EXTERIOR PAINTED WHITE (LQ10020)
DRUM BODY/BOTTOM EXTERIOR PAINTED BLACK (LQ10003).

ITEM	P/N	DESCRIPTION	QTY
5		UN DURABLE LABEL	1
4	RQ2013	20/30 GAL OUTSIDE LEVERLOCK RING	1
3	GE2000	GASKET EPDM IN-COVER D	1
2	P1815	COVER, Ø18.25 DRUM, CRCQ STEEL	1
1		30 GALLON DRUM BODY AND BOTTOM	1

BEST PRINTED ON B-SIZE PAPER 1/2" CHARACTERS READING:

UN/1A2/X235/S/YR
1.5 - 1.2 - 1.2 *
TARE WEIGHT: 35 lbs
(YR = YEAR OF MANUFACTURE)

THE USE OF INFORMATION CONTAINED HEREIN IS RESTRICTED FOR THE BENEFIT OF SKOLNIK INDUSTRIES ONLY. UNAUTHORIZED USE OR DISCLOSURE, COPYING OR OTHERWISE REPRODUCING (IN ANY MANNER) ANY PORTION OF THIS DRAWING WITHOUT PRIOR WRITTEN PERMISSION OF AN AUTHORIZED OFFICIAL OF SKOLNIK INDUSTRIES IS STRICTLY PROHIBITED.

APPROVAL ON FILE
FILE CREATED IN AutoCAD

UNLESS STATED OTHERWISE
(DIMENSIONS IN PARENTHESIS ARE FOR REFERENCE ONLY!!!)
ALL DIMENSIONS ARE IN INCHES
DO NOT SCALE DRAWING
TOLERANCES:
FRACTIONS ±1/4
X° ± 3°
X.X ± 0.2
X.XX ± 0.10
X.XXX ± 0.030

SKOLNIK INDUSTRIES, INC.
4900 SOUTH KILBOURN AVENUE, CHICAGO, IL 60632

DESCRIPTION
30 GALLON OPEN HEAD DRUM
1.5 - 1.2 - 1.2 CRCQ STEEL
1A2/X235/S

REL. DATE: 03-FEB-2009
PART NUM./FILENAME: CQ3007Q
REV: A4