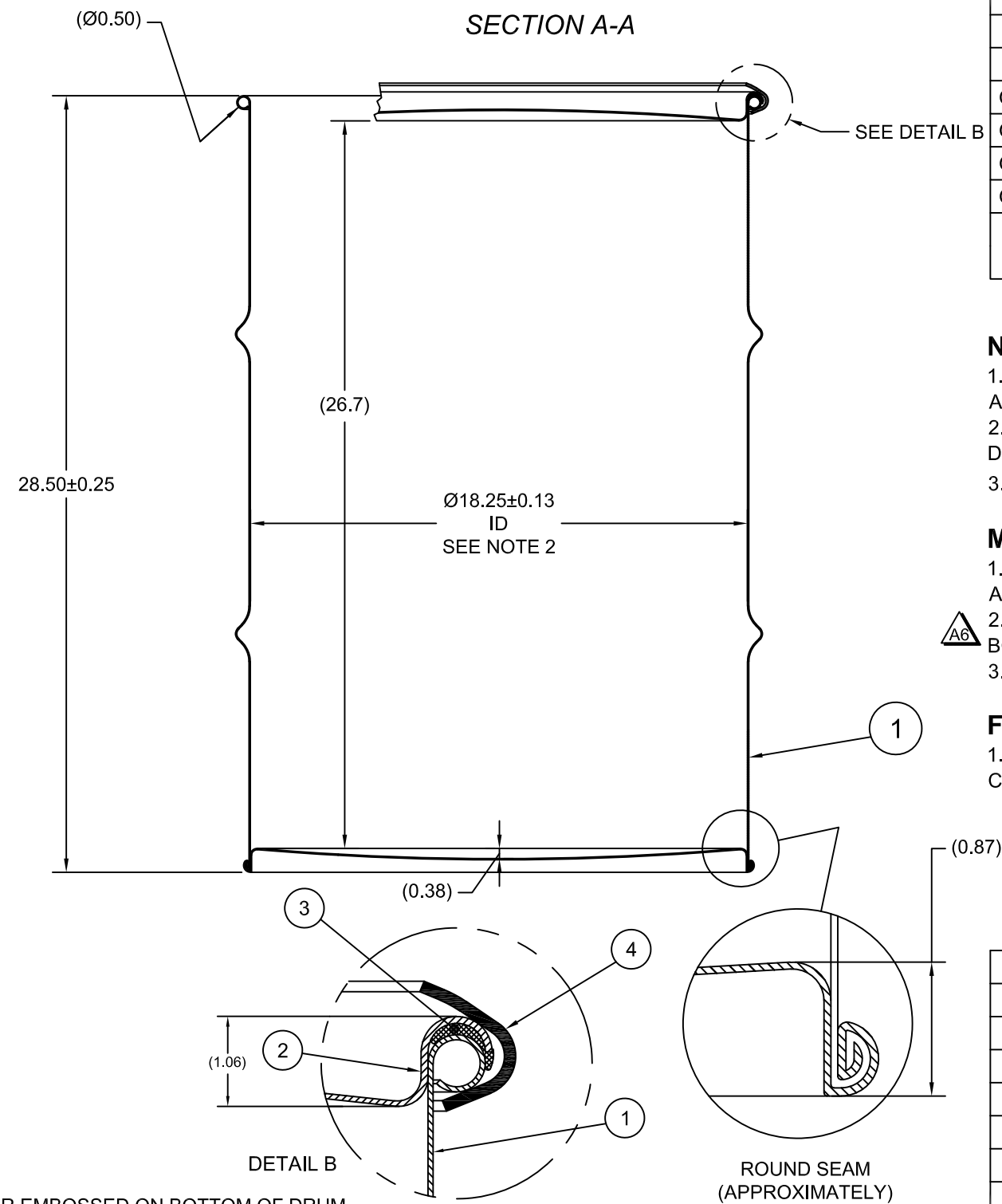
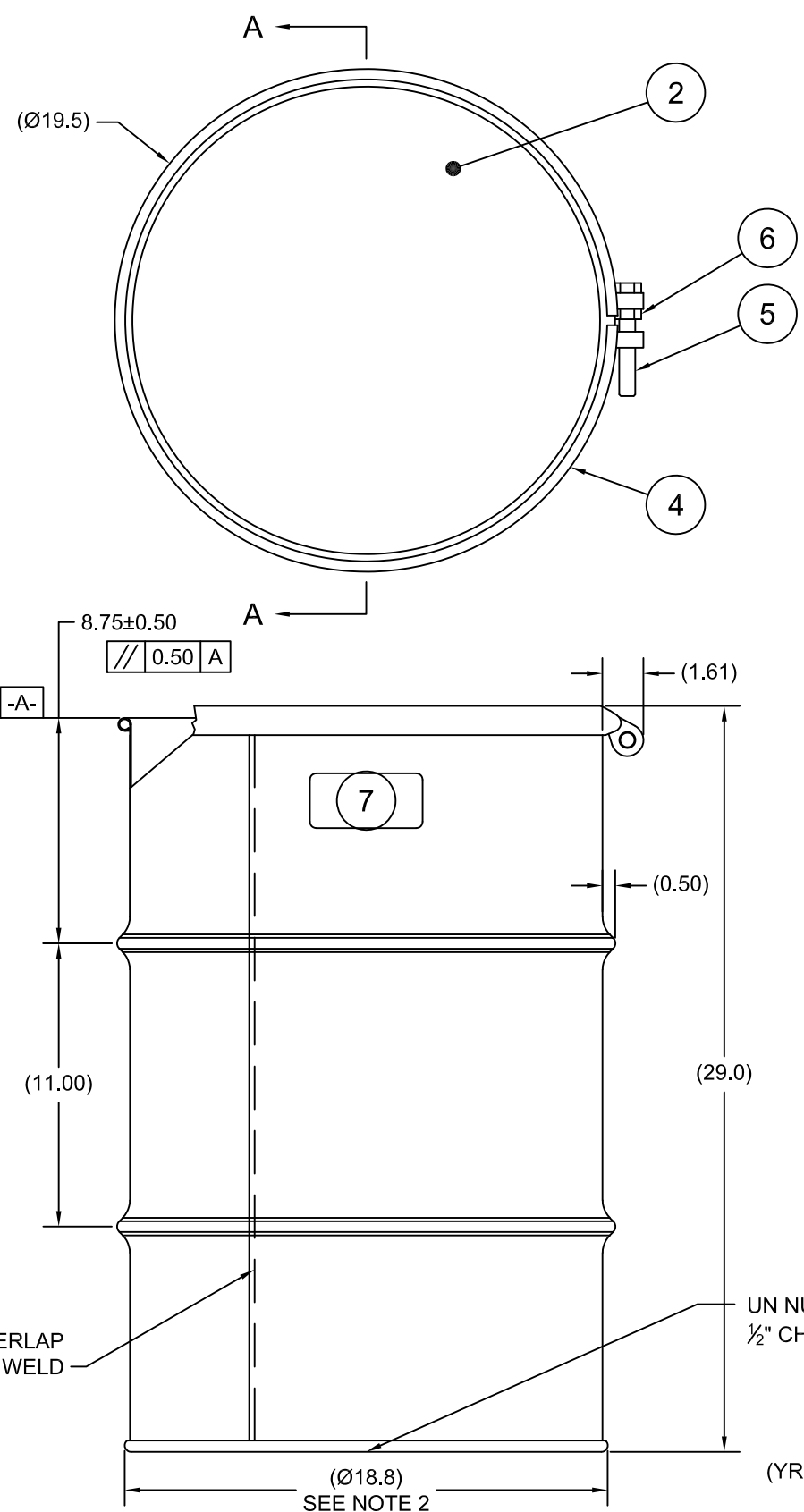


003007



ECN # or INIT	REV	DESCRIPTION	DATE
	A	RELEASE	10-OCT-2007
LJT	A1	ADD'D CURL DIM	14-JAN-2008
OE-001	A2	CLERICAL ERROR	14-MAY-2010
OE-001	A3	CLERICAL ERROR	02-FEB-2012
OE-001	A4	CLERICAL ERROR	01-APR-2012
OE-001	A5	ADDED CHIME VIEW	29-APR-2013
JTS	A6	UPDATE MAT'L THK (WAS 0.0543 - 0.0590) UPDATE MAT'L THK (WAS 0.0433 - 0.0480)	06-FEB-2020

NOTES:

1. THESE DIMENSIONS REPRESENT DRUM AFTER BEING PROPERLY ASSEMBLED AND CLOSED PER SKOLNIK CLOSING INSTRUCTIONS
2. TO DETERMINE GREATER ACCURACY OF ANY DIAMETRIC DIMENSION, MEASURING OF CIRCUMFERENCE IS REQUIRED
3. CONSTRUCTION per 49 CFR §178.504 (b)

MATERIAL:

1. DRUM BODY AND COVER CRCQ CARBON STEEL PER ASTM A1008 AND ASTM A568
2. MATERIAL THICKNESS: COVER 1.5mm (0.055 - 0.063, 16 GAUGE), BODY/BOTTOM 1.2mm (0.044 - 0.050, 18 GAUGE)
3. GASKET MAT'L PER ASTM D1056

FINISH:

1. BODY/BOTTOM EXTERIOR PAINTED BLACK (LQ10003)
COVER EXTERIOR PAINTED WHITE (LQ10020)

ITEM	P/N	DESCRIPTION	QTY
7		UN DURABLE LABEL	1
6	NT5800	5/8-11UNC HEX JAM NUT	1
5	BT5840	5/8-11UNC X 4in LONG HEX HEAD BOLT	1
4	RBH1812	BOLT RING 20-30G 12 GA 5/8 LUG	1
3	GE2000	GASKET EPDM IN-COVER D	1
2	P1815	COVER, Ø18.25 DRUM, CRCQ STEEL	1
1		30 GALLON DRUM BODY AND BOTTOM	1

UN NUMBER EMBOSSED ON BOTTOM OF DRUM
 ½" CHARACTERS READING:
 UN/1A2/X235/S/YR
 UN/1A2/Y1.5/150/YR
 1.5 - 1.2 - 1.2 *
 (YR = YEAR OF MANUFACTURE)

TARE WEIGHT:
35 lbs

THE USE OF INFORMATION CONTAINED HEREIN IS RESTRICTED FOR THE BENEFIT OF SKOLNIK INDUSTRIES ONLY. UNAUTHORIZED USE OR DISCLOSURE, COPYING OR OTHERWISE REPRODUCING (IN ANY MANNER) ANY PORTION OF THIS DRAWING WITHOUT PRIOR WRITTEN PERMISSION OF AN AUTHORIZED OFFICIAL OF SKOLNIK INDUSTRIES IS STRICTLY PROHIBITED.

MFG JR	DRW LJT	CHK LJT
SLS DR	QA MD	
APR Jesse Sanchez		
FILE CREATED IN AutoCAD 2002		

UNLESS STATED OTHERWISE
 (DIMENSIONS IN PARENTHESIS ARE FOR REFERENCE ONLY!!)
 ALL DIMENSIONS ARE IN INCHES
 DO NOT SCALE DRAWING
 TOLERANCES:
 FRACTIONS ±1/4
 X° ± 3°
 X.X ± 0.2
 X.XX ± 0.10
 X.XXX ± 0.030

SKOLNIK INDUSTRIES, INC.
 4900 SOUTH KILBOURN AVENUE, CHICAGO, IL 60632

DESCRIPTION
 30 GALLON OPEN HEAD DRUM
 1.5 - 1.2 - 1.2 CRCQ
 1A2/X235/S & 1A2/Y1.5/150

REL. DATE 10-OCT-2007	PART NUM. / FILENAME CQ3007	REV A6
--------------------------	--------------------------------	-----------