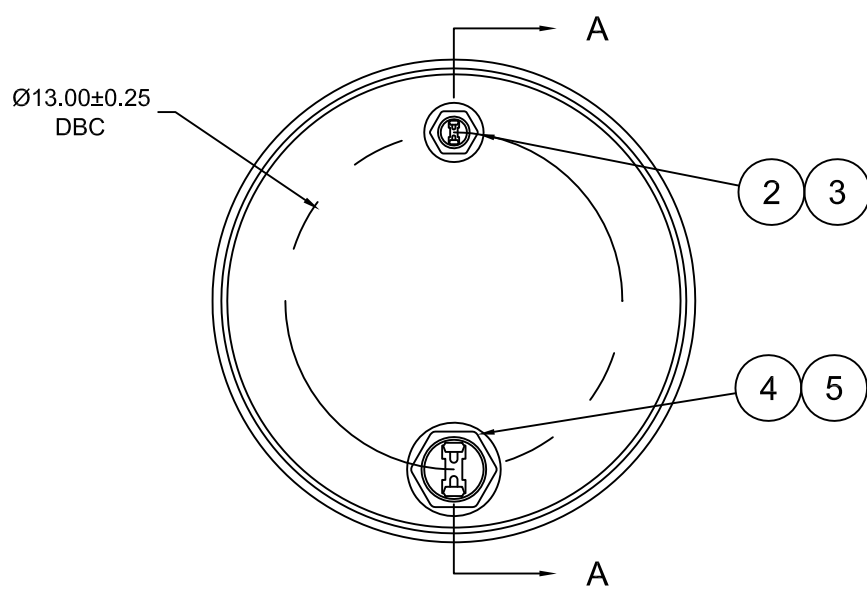
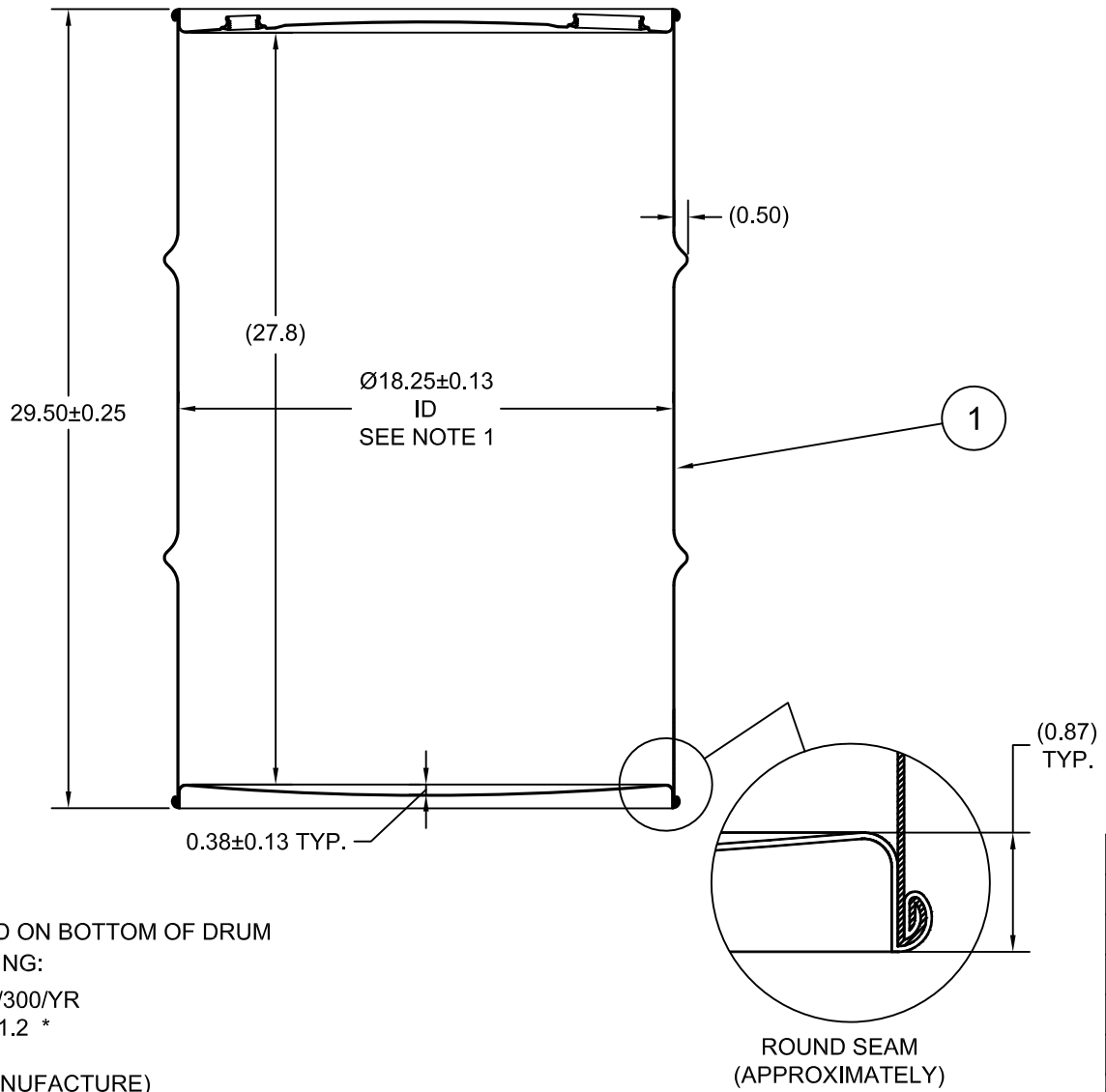


600300

ECN # or INIT	REV	DESCRIPTION	DATE
13-003	B	REDRAWN TO AutoCAD & LIQUID RATING WAS Y1.5	01-APR-2013
OE-001	B1	ADDED CHIME VIEW	18-APR-2013



**SECTION A-A
(SHOWN W/ PLUGS REMOVED)**



NOTES:

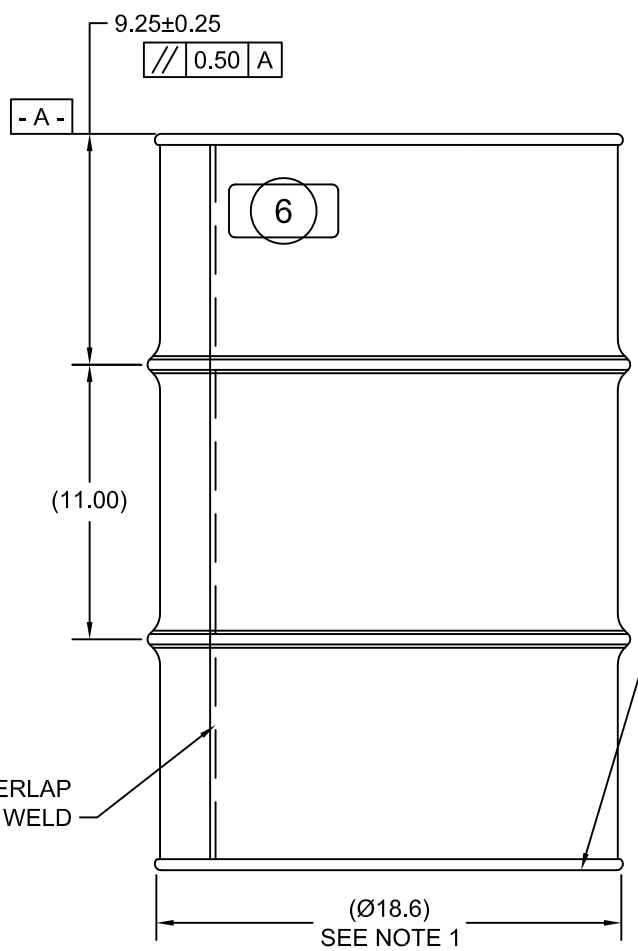
- TO DETERMINE GREATER ACCURACY OF ANY DIAMETRIC DIMENSION, MEASURING OF CIRCUMFERENCE IS REQUIRED
- CONSTRUCTION per 49 CFR §178.504 (b)

MATERIAL:

- DRUM BODY AND COVER CRCQ CARBON STEEL PER ASTM A1008 AND ASTM A568 OR EQUIVALENT
- MATERIAL THICKNESS: TOP/BOTTOM 1.2mm (0.0433 - 0.0480, 18 GAUGE), BODY 0.9mm (0.0319 - 0.0370, 20 GAUGE)

FINISH:

- DRUM BODY/BOTTOM EXTERIOR PAINTED BLACK (LQ10003) TOP EXTERIOR PAINTED WHITE (LQ10020)



UN NUMBER EMBOSSED ON BOTTOM OF DRUM
 1/2" CHARACTERS READING:
 UN/1A1/X1.8/300/YR
 1.2 - 0.9 - 1.2 *
 (YR = YEAR OF MANUFACTURE)

ITEM	P/N	DESCRIPTION	QTY
6		UN DURABLE LABEL	1
5	PT2000	PLUG 2 TS BUNA GASKET	1
4	FT2000	FLANGE 2 TS BUNA GASKET	1
3	PT3000	PLUG 3/4 TS BUNA GASKET	1
2	FT3000	FLANGE 3/4 TS BUNA GASKET	1
1		30 GALLON TH DRUM	1

MFG BR	DRW LJT	CHK JG	UNLESS STATED OTHERWISE (DIMENSIONS IN PARENTHESIS ARE FOR REFERENCE ONLY!!!) ALL DIMENSIONS ARE IN INCHES DO NOT SCALE DRAWING TOLERANCES: FRACTIONS ±1/4 X° ± 3° X.X ± 0.2 X.XX ± 0.10 X.XXX ± 0.030
SLS DR	QA MD	APR G. Petersen	
FILE CREATED IN AutoCAD 2002		3 RD	

SKOLNIK INDUSTRIES, INC. 4900 SOUTH KILBOURN AVENUE, CHICAGO, IL 60632		
DESCRIPTION 30 GALLON TIGHT HEAD DRUM 1.2 - 0.9 - 1.2 CRCQ STEEL 1A1/X1.8/300		
REL. DATE	PART NUM. / FILENAME	REV
-	CQ3009	B1

THE USE OF INFORMATION CONTAINED HEREIN IS RESTRICTED FOR THE BENEFIT OF SKOLNIK INDUSTRIES ONLY. UNAUTHORIZED USE OR DISCLOSURE, COPYING OR OTHERWISE REPRODUCING (IN ANY MANNER) ANY PORTION OF THIS DRAWING WITHOUT PRIOR WRITTEN PERMISSION OF AN AUTHORIZED OFFICIAL OF SKOLNIK INDUSTRIES IS STRICTLY PROHIBITED.

TARE WEIGHT:
30 lbs

BEST PRINTED ON B-SIZE PAPER