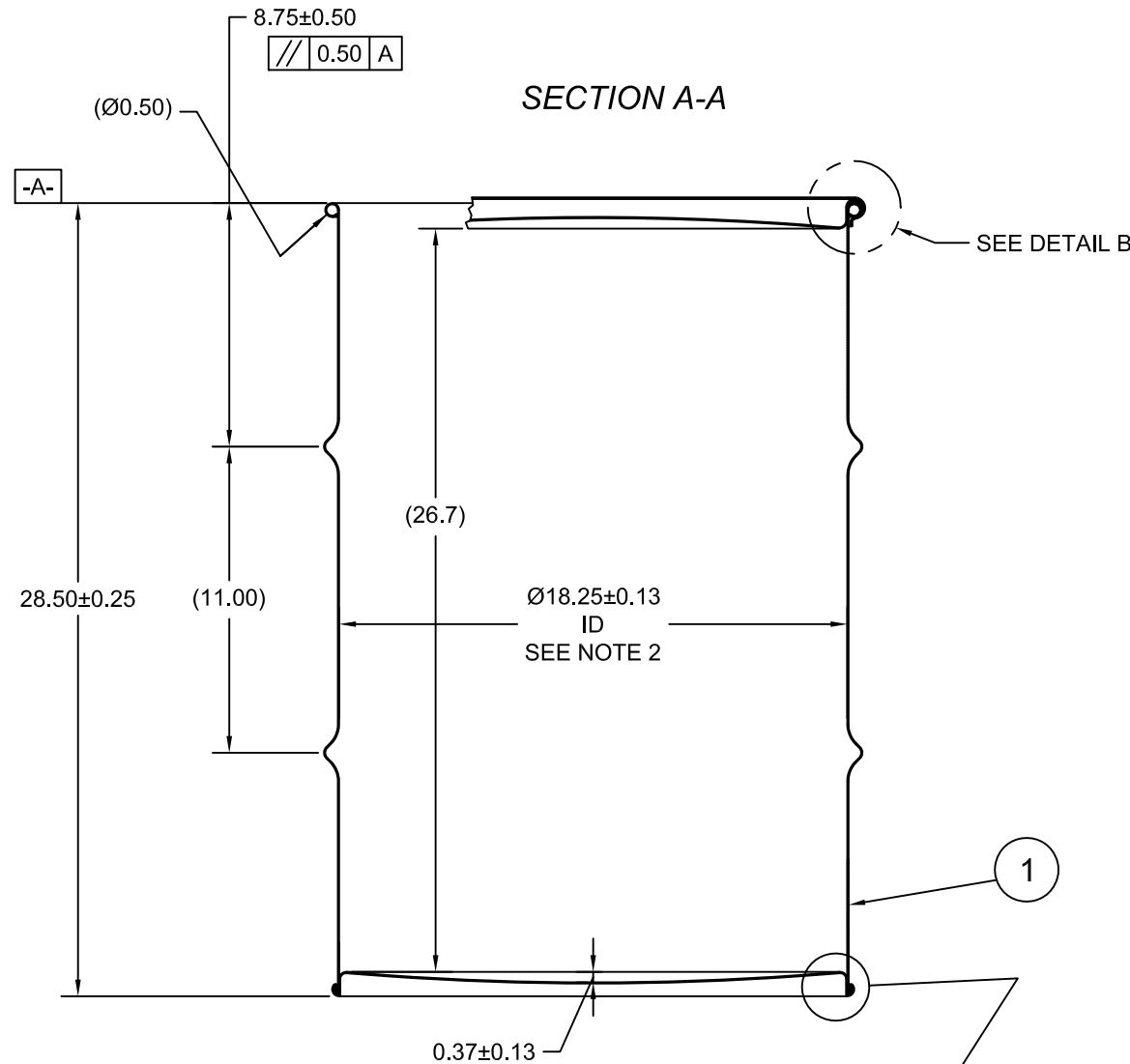
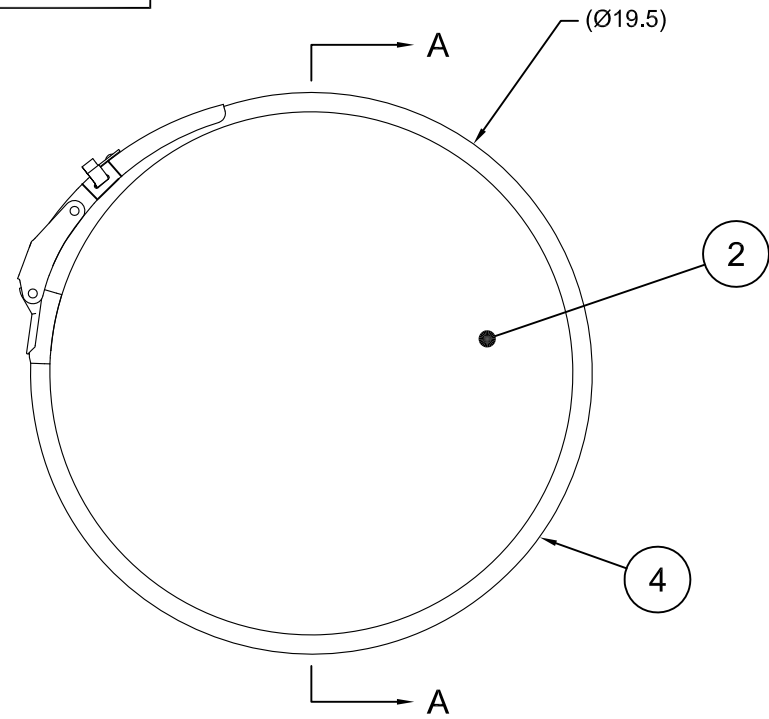


CQ3014Q

ECN # or INIT	REV	DESCRIPTION	DATE
	A	RELEASE	16-MAY-2007
LJT	A1	WAS RQ5512HP & WAS "18 GAUGE", (CLERICAL ERROR)	10-AUG-2007
OE-004	A2	REVISED AND REDRAWN & ADJUSTED THICKNESS TOLERANCE	11-DEC-2012
OE-001	A3	CORRECTED VIEW	07-JAN-2013
OE-001	A4	CLERICAL ERROR	29-APR-2013
17-001	A5	REMOVED LIQUID RATING	06-APR-2017



**NOTES:**

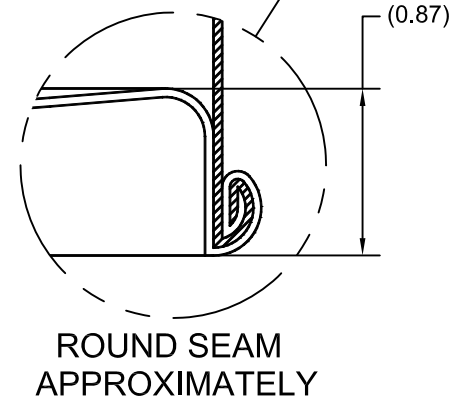
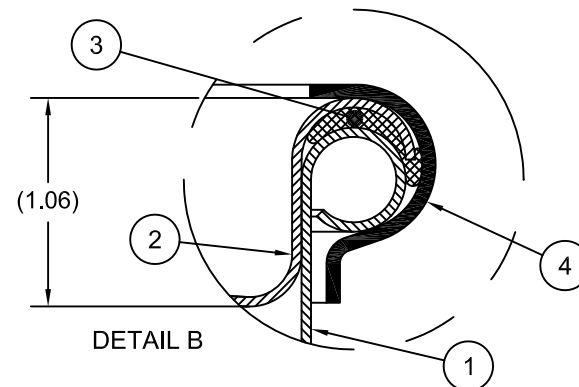
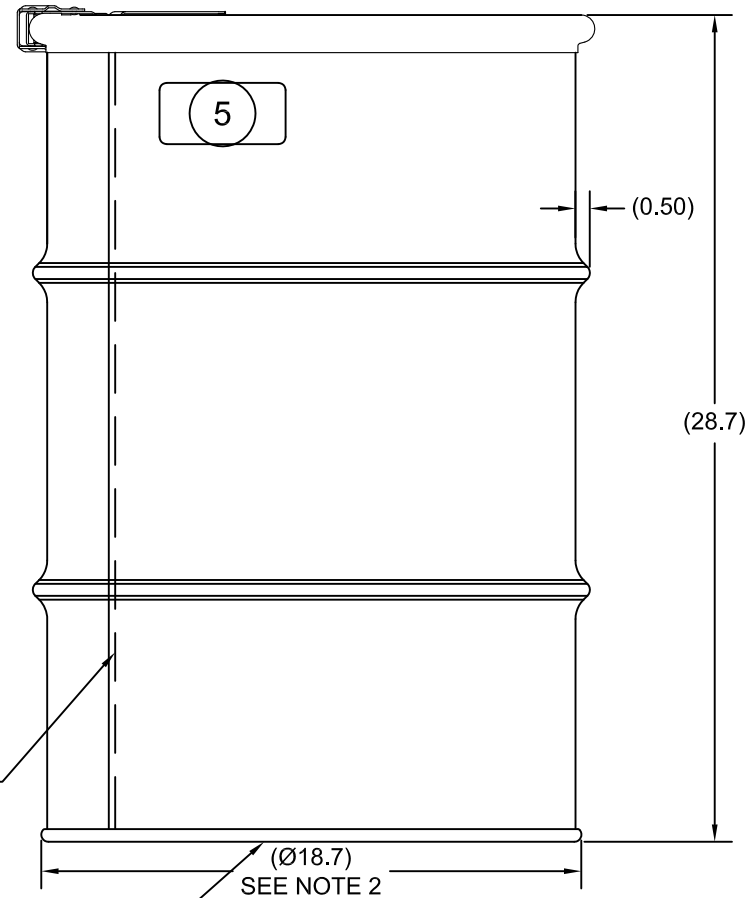
1. THESE DIMENSIONS REPRESENT DRUM AFTER BEING PROPERLY ASSEMBLED AND CLOSED PER SKOLNIK CLOSING INSTRUCTIONS
2. TO DETERMINE GREATER ACCURACY OF ANY DIAMETRIC DIMENSION, MEASURING OF CIRCUMFERENCE IS REQUIRED
3. CONSTRUCTION per 49 CFR §178.504 (b)

**MATERIAL:**

1. DRUM BODY AND COVER CRCQ CARBON STEEL PER ASTM A1008 AND ASTM A568
2. MATERIAL THICKNESS 1.5mm (0.0543 - 0.0590; 16 GAUGE)
3. GASKET MAT'L PER ASTM D1056

**FINISH:**

1. DRUM BODY EXTERIOR PAINTED BLACK (LQ10003)  
COVER EXTERIOR PAINTED WHITE (LQ10020)



ITEM	P/N	DESCRIPTION	QTY
5		UN DURABLE LABEL	1
4	RQ2013	20/30 GAL OUTSIDE LEVERLOCK RING	1
3	GE2000	GASKET EPDM IN-COVER D	1
2	P1815	COVER, Ø18.25 DRUM, CRCQ STEEL	1
1		30 GALLON DRUM BODY AND BOTTOM	1

BEST PRINTED ON B-SIZE PAPER 1/2" CHARACTERS

UN NUMBER EMBOSSED ON BOTTOM OF DRUM

UN/1A2/X235/S/YR

1.5 \*

TARE WEIGHT:  
43 lbs

(YR = YEAR OF MANUFACTURE)

THE USE OF INFORMATION CONTAINED HEREIN IS RESTRICTED FOR THE BENEFIT OF SKOLNIK INDUSTRIES ONLY. UNAUTHORIZED USE OR DISCLOSURE, COPYING OR OTHERWISE REPRODUCING (IN ANY MANNER) ANY PORTION OF THIS DRAWING WITHOUT PRIOR WRITTEN PERMISSION OF AN AUTHORIZED OFFICIAL OF SKOLNIK INDUSTRIES IS STRICTLY PROHIBITED.

**APPROVAL ON FILE**

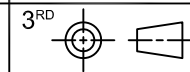
FILE CREATED IN AutoCAD

**UNLESS STATED OTHERWISE**

ALL DIMENSIONS ARE IN INCHES  
DO NOT SCALE DRAWING

TOLERANCES:  
FRACTIONS ±1/4

X° ± 3°  
X.X ± 0.2  
X.XX ± 0.10  
X.XXX ± 0.030



**SKOLNIK INDUSTRIES, INC.**  
4900 SOUTH KILBOURN AVENUE, CHICAGO, IL 60632

DESCRIPTION  
30 GALLON OPEN HEAD DRUM  
1.5 - 1.5 - 1.5 CRCQ  
1A2/X235/S

REL. DATE  
16-MAY-2007

PART NUM. / FILENAME  
CQ3014Q

REV  
A5