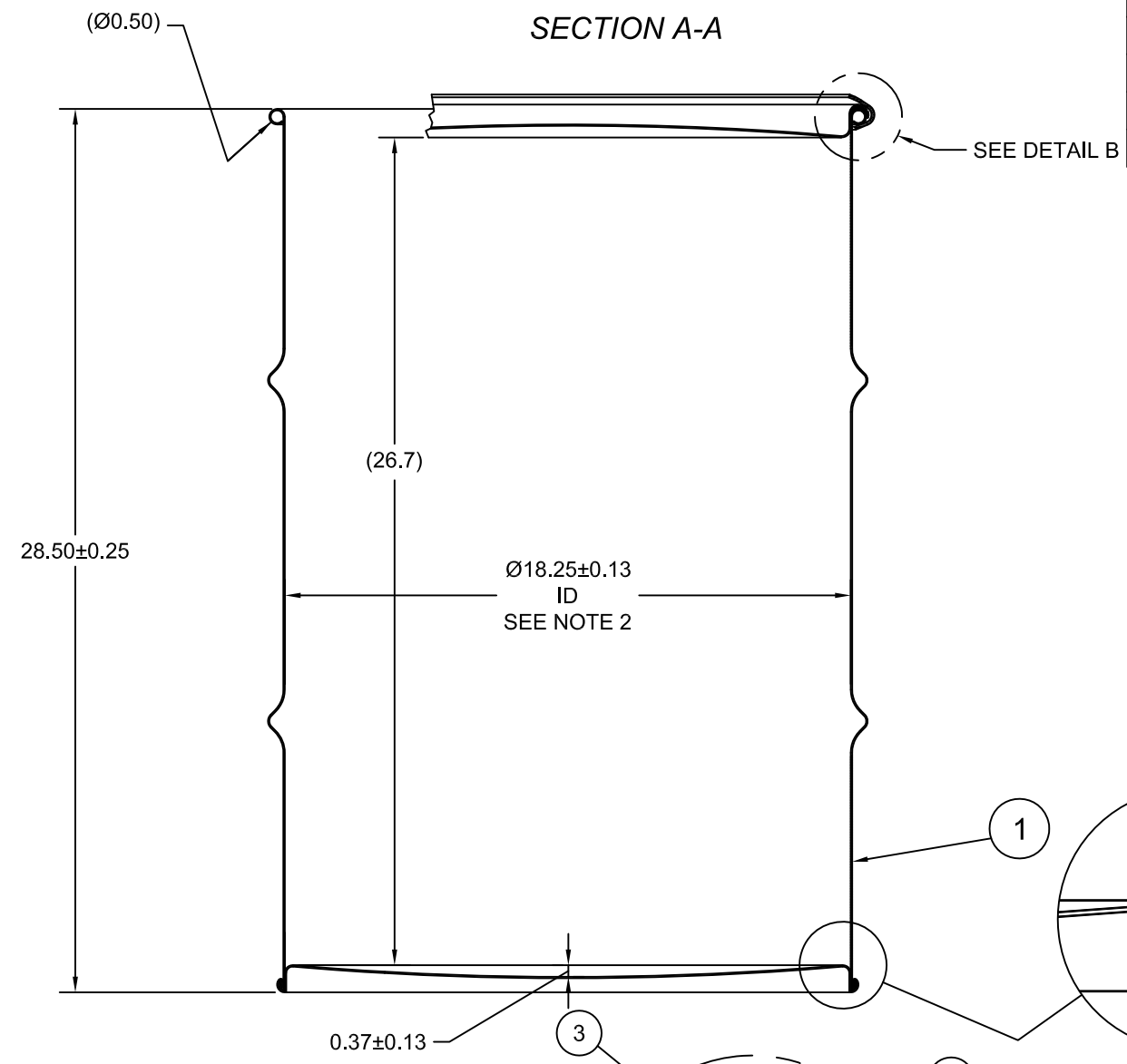
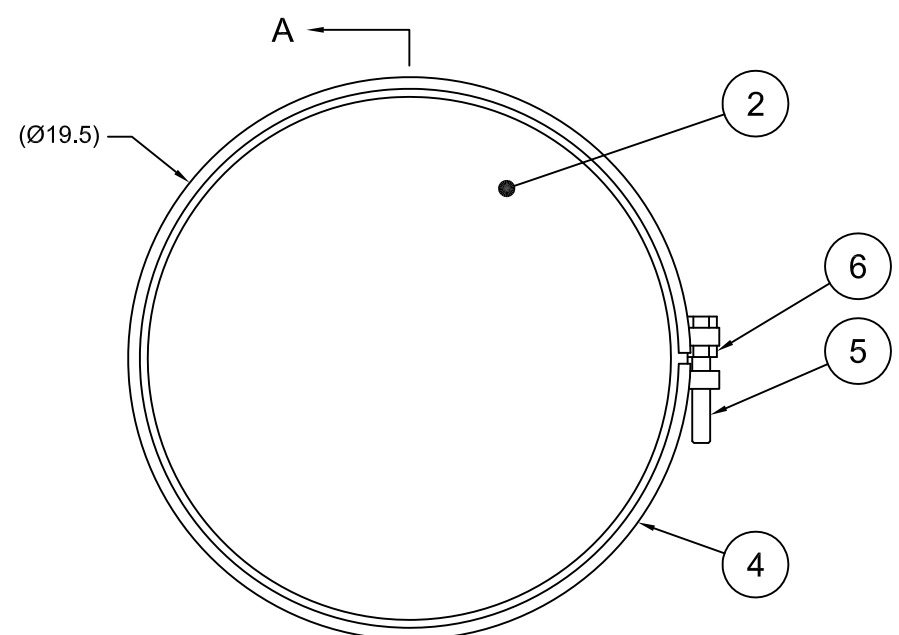


710300

ECN # or INIT	REV	DESCRIPTION	DATE
	A	RELEASE	24-AUG-2007
07-022	B	WAS BOX CHIME (DRAWING UPDATE ONLY)	29-MAR-2013
OE-001	B1	CLERICAL ERROR	01-APR-2013
OE-001	B2	CLERICAL ERROR	18-APR-2013



NOTES:

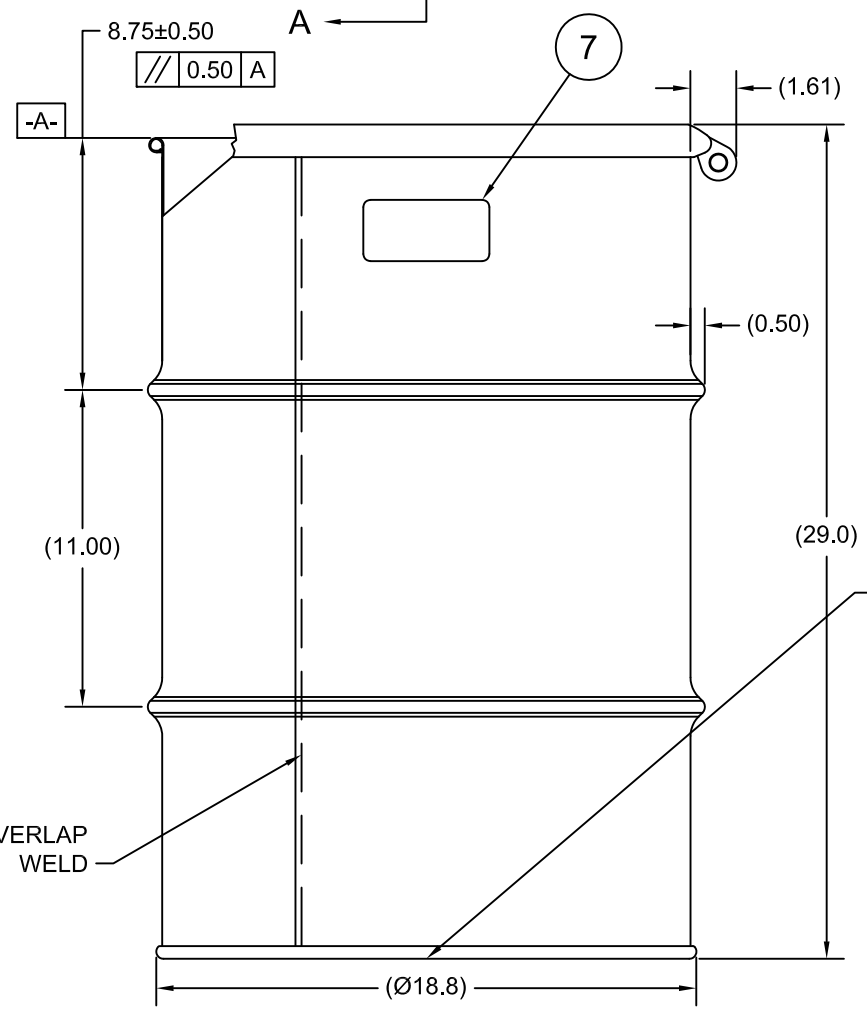
1. THESE DIMENSIONS REPRESENT DRUM AFTER BEING PROPERLY ASSEMBLED AND CLOSED PER SKOLNIK CLOSING INSTRUCTIONS
2. TO DETERMINE GREATER ACCURACY OF ANY DIAMETRIC DIMENSION, MEASURING OF CIRCUMFERENCE IS REQUIRED
3. CONSTRUCTION per 49 CFR §178.504 (b)

MATERIAL:

1. DRUM BODY AND COVER CRCQ CARBON STEEL PER ASTM A1008 AND ASTM A568 OR EQUIVALENT
2. MATERIAL THICKNESS: 1.5mm (0.0543 - 0.0590, 16 GAUGE)
3. GASKET MAT'L PER ASTM D1056

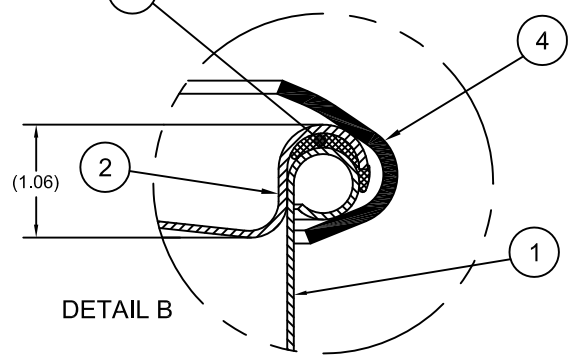
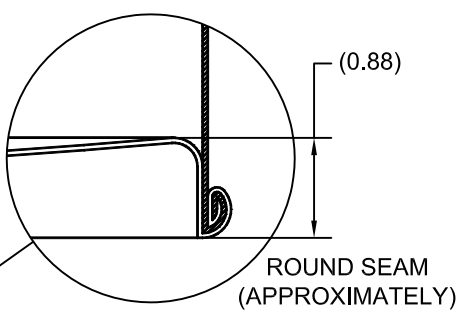
FINISH:

1. BODY/BOTTOM EXTERIOR PAINTED BLACK (LQ10003)
- COVER EXTERIOR PAINTED WHITE (LQ10020)



UN NUMBER EMBOSSED ON BOTTOM OF DRUM
 ½" CHARACTERS READING:
 UN/1A2/X235/S/YR
 UN/1A2/Y1.5/200/YR
 1.5 *
 (YR = YEAR OF MANUFACTURE)

TARE WEIGHT:
43 lbs



ITEM	P/N	DESCRIPTION	QTY
7		UN DURABLE LABEL	1
6	NT5800	NUT 5/8-11UNC HEX JAM NUT	1
5	BT5840	BOLT 5/8-11UNC X 4 LONG	1
4	RBH1812	BOLT RING 20-30G 12 GA 5/8 LUG	1
3	GE2000	GASKET EPDM IN-COVER D	1
2	P1815	COVER, Ø18.25 DRUM, CRCQ STEEL	1
1		30 GALLON DRUM BODY AND BOTTOM	1

MFG JR	DRW LJT	CHK AG
SLS DR	QA MD	
APR Jesse Sanchez		

UNLESS STATED OTHERWISE

(DIMENSIONS IN PARENTHESIS ARE FOR REFERENCE ONLY!!!)
 ALL DIMENSIONS ARE IN INCHES
 DO NOT SCALE DRAWING
 TOLERANCES:
 FRACTIONS ±1/4
 X° ± 3°
 X.X ± 0.2
 X.XX ± 0.10
 X.XXX ± 0.030

SKOLNIK INDUSTRIES, INC.
 4900 SOUTH KILBOURN AVENUE, CHICAGO, IL 60632

DESCRIPTION 30 GALLON OPEN HEAD DRUM 1.5 - 1.5 - 1.5 CRCQ STEEL 1A2/X235/S & 1A2/Y1.5/200		
REL. DATE 24-AUG-2007	PART NUM. / FILENAME CQ3014	REV B2

THE USE OF INFORMATION CONTAINED HEREIN IS RESTRICTED FOR THE BENEFIT OF SKOLNIK INDUSTRIES ONLY. UNAUTHORIZED USE OR DISCLOSURE, COPYING OR OTHERWISE REPRODUCING (IN ANY MANNER) ANY PORTION OF THIS DRAWING WITHOUT PRIOR WRITTEN PERMISSION OF AN AUTHORIZED OFFICIAL OF SKOLNIK INDUSTRIES IS STRICTLY PROHIBITED.

FILE CREATED IN
AutoCAD 2002