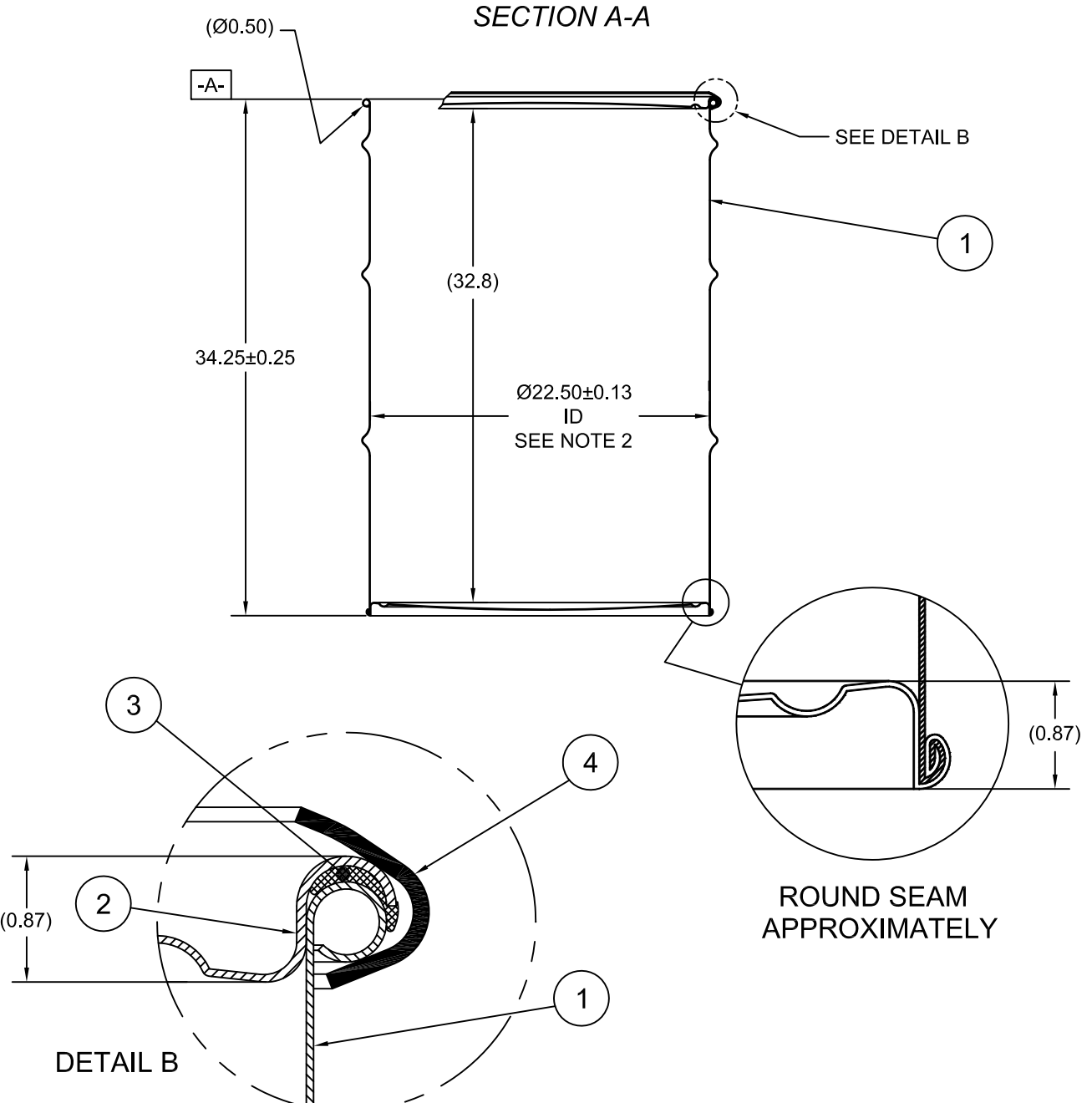
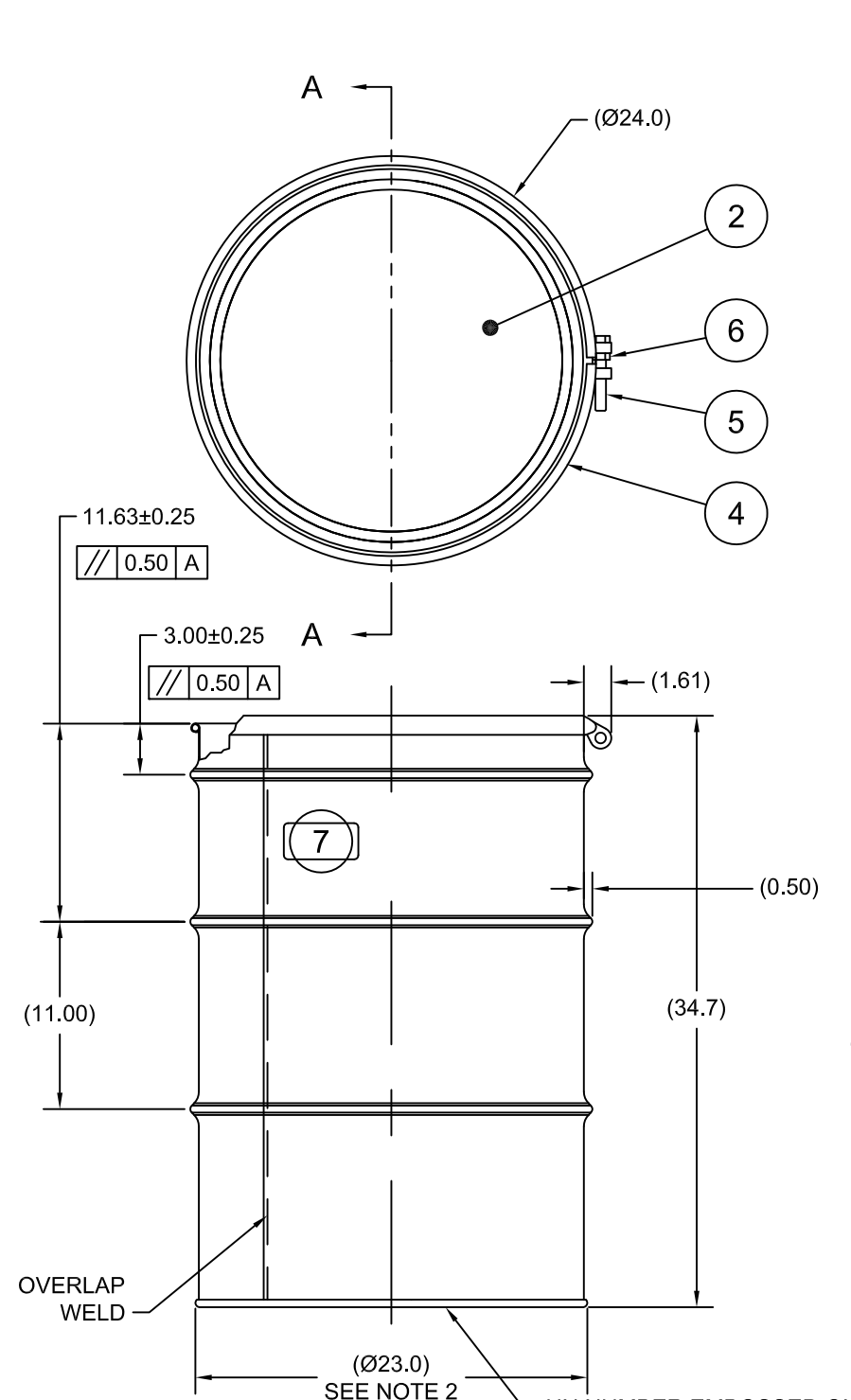


ECN # or INIT	REV	DESCRIPTION	DATE
OE-005	A1	REDRAWN TO AutoCAD	03-DEC-2012
OE-001	A2	CLERICAL ERROR	12-APR-2013



**NOTES:**

1. THESE DIMENSIONS REPRESENT DRUM AFTER BEING PROPERLY ASSEMBLED AND CLOSED PER SKOLNIK CLOSING INSTRUCTIONS
2. TO DETERMINE GREATER ACCURACY OF ANY DIAMETRIC DIMENSION, MEASURING OF CIRCUMFERENCE IS REQUIRED
3. CONSTRUCTION per 49 CFR §178.504 (b)

**MATERIAL:**

1. DRUM BODY AND COVER CRCQ CARBON STEEL PER ASTM A1008 AND ASTM A568 OR EQUIVALENT
2. MATERIAL THICKNESS COVER 1.2mm (0.0433 - 0.0480; 18 GAUGE), BODY/BOTTOM 0.9mm (0.0319 - 0.0370; 20 GAUGE)
3. GASKET MAT'L PER ASTM D1056

**FINISH:**

1. DRUM BODY/BOTTOM EXTERIOR PAINTED BLACK (LQ10003)  
COVER EXTERIOR PAINTED WHITE (LQ10020)

ITEM	P/N	DESCRIPTION	QTY
7		UN DURABLE LABEL	1
6	NT5800	5/8-11UNC HEX JAM NUT	1
5	BT5840	5/8-11 X 4in LONG HEX HEAD BOLT	1
4	RBH2212	BOLT RING (HP) 55G 12GA 5/8 LUG	1
3	GE5500	GASKET D EPDM-BLACK	1
2	P2212	COVER 22.5 ID	1
1		BODY/BOTTOM 55 GALLON DRUM 22.5 ID	1

UN NUMBER EMBOSSED ON BOTTOM OF DRUM  
 ½" CHARACTERS READING:  
 UN/1A2/Y425/S/YR  
 UN/1A2/Y1.2/100/YR  
 1.2 - 0.9 - 0.9 \*  
 (YR = YEAR OF MANUFACTURE)

TARE WEIGHT:  
38 lbs

THE USE OF INFORMATION CONTAINED HEREIN IS RESTRICTED FOR THE BENEFIT OF SKOLNIK INDUSTRIES ONLY. UNAUTHORIZED USE OR DISCLOSURE, COPYING OR OTHERWISE REPRODUCING (IN ANY MANNER) ANY PORTION OF THIS DRAWING WITHOUT PRIOR WRITTEN PERMISSION OF AN AUTHORIZED OFFICIAL OF SKOLNIK INDUSTRIES IS STRICTLY PROHIBITED.

MFG BR	DRW LJT	CHK JG	UNLESS STATED OTHERWISE (DIMENSIONS IN PARENTHESIS ARE FOR REFERENCE ONLY!!!) ALL DIMENSIONS ARE IN INCHES DO NOT SCALE DRAWING TOLERANCES: FRACTIONS ±1/4
SLS DR	QA MD	X° ± 3° X.X ± 0.2 X.XX ± 0.10 X.XXX ± 0.030	
APR G. Petersen	FILE CREATED IN AutoCAD 2002	3 <sup>RD</sup>	

**SKOLNIK INDUSTRIES, INC.**  
 4900 SOUTH KILBOURN AVENUE, CHICAGO, IL 60632

DESCRIPTION  
 55 GALLON OPEN HEAD DRUM  
 1.2 - 0.9 - 0.9 CRCQ  
 1A2/Y425/S & 1A2/Y1.2/100

REL. DATE	PART NUM. / FILENAME	REV
-	CQ5504	A2