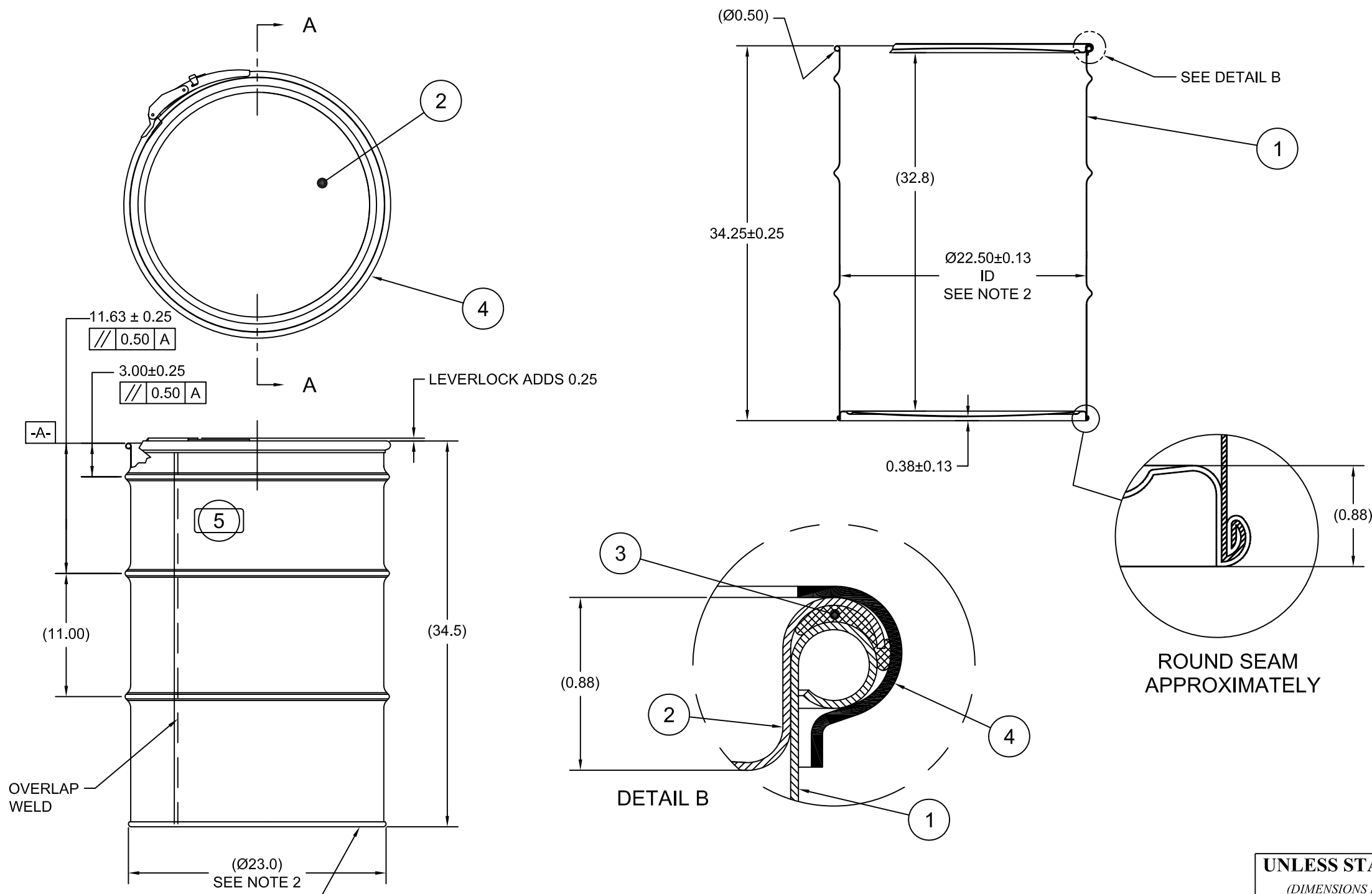


0909900

| ECN # or INIT | REV | DESCRIPTION | DATE |
|---------------|-----|-----------------------|-------------|
| OE-005 | A1 | REDRAWN TO AutoCAD | 16-APR-2013 |
| 17-001 | A2 | REMOVED LIQUID RATING | 06-APR-2017 |

SECTION A-A



NOTES:

1. THESE DIMENSIONS REPRESENT DRUM AFTER BEING PROPERLY ASSEMBLED AND CLOSED PER SKOLNIK CLOSING INSTRUCTIONS
2. TO DETERMINE GREATER ACCURACY OF ANY DIAMETRIC DIMENSION, MEASURING OF CIRCUMFERENCE IS REQUIRED
3. CONSTRUCTION per 49 CFR §178.504 (b)

MATERIAL:

1. DRUM BODY AND COVER CRCQ CARBON STEEL PER ASTM A1008 AND ASTM A568
2. MATERIAL THICKNESS: COVER 1.2mm (0.0433 - 0.0480, 18 GAUGE)
3. GASKET MAT'L PER ASTM D1056

FINISH:

1. BODY/BOTTOM EXTERIOR PAINTED BLACK (LQ10003)
- COVER EXTERIOR PAINTED WHITE (LQ10020)

| ITEM | P/N | DESCRIPTION | QTY |
|------|--------|------------------------------------|-----|
| 5 | | UN DURABLE LABEL | 1 |
| 4 | RQ5513 | 55 GALLON QUICK LEVERLOCK RING | 1 |
| 3 | GE5500 | GASKET IN-COVER D EPDM | 1 |
| 2 | P2212 | COVER 22.5 ID | 1 |
| 1 | | BODY/BOTTOM 55 GALLON DRUM 22.5 ID | 1 |

BEST PRINTED ON B-SIZE PAPER

UN NUMBER EMBOSSED ON BOTTOM OF DRUM
 1/2" CHARACTERS READING:
 UN/1A2/X435/S/YR
 1.2 *
 (YR = YEAR OF MANUFACTURE)

TARE WEIGHT:
 48 lbs

THE USE OF INFORMATION CONTAINED HEREIN IS RESTRICTED FOR THE BENEFIT OF SKOLNIK INDUSTRIES ONLY. UNAUTHORIZED USE OR DISCLOSURE, COPYING OR OTHERWISE REPRODUCING (IN ANY MANNER) ANY PORTION OF THIS DRAWING WITHOUT PRIOR WRITTEN PERMISSION OF AN AUTHORIZED OFFICIAL OF SKOLNIK INDUSTRIES IS STRICTLY PROHIBITED.

APPROVAL
 ON FILE

FILE CREATED IN
 AutoCAD

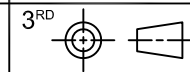
UNLESS STATED OTHERWISE

(DIMENSIONS IN PARENTHESIS ARE FOR REFERENCE ONLY!!!)

ALL DIMENSIONS ARE IN INCHES
 DO NOT SCALE DRAWING

TOLERANCES:

FRACTIONS ±1/4
 X° ± 3°
 X.X ± 0.2
 X.XX ± 0.10
 X.XXX ± 0.030



SKOLNIK INDUSTRIES, INC.
 4900 SOUTH KILBOURN AVENUE, CHICAGO, IL 60632

DESCRIPTION
 55 GALLON OPEN HEAD DRUM
 1.2 - 1.2 - 1.2 CRCQ
 1A2/X435/S

REL. DATE
 -

PART NUM. / FILENAME
 CQ5506Q

REV
 A2