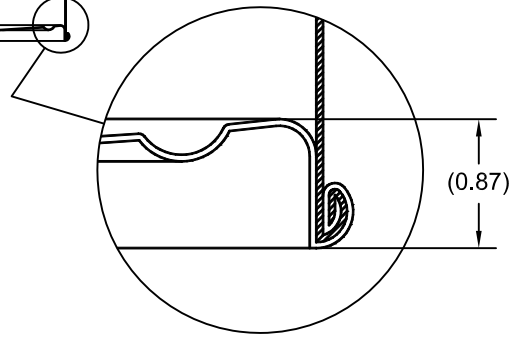
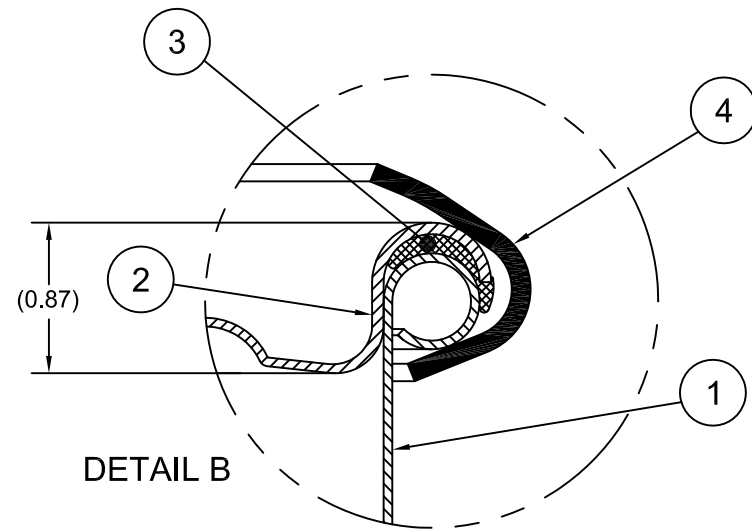
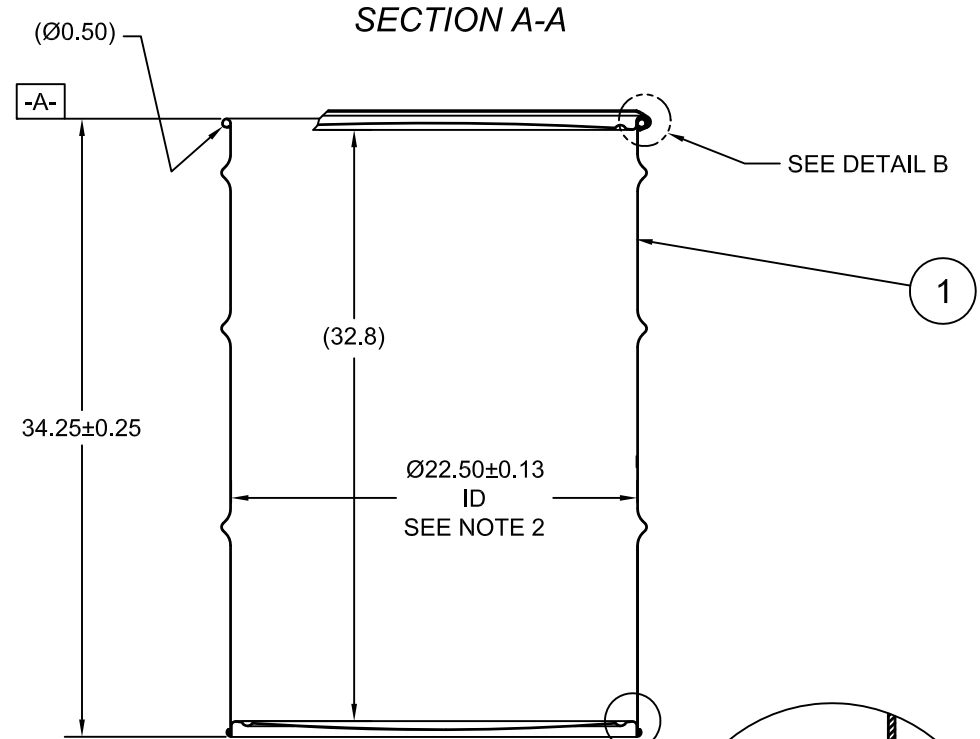
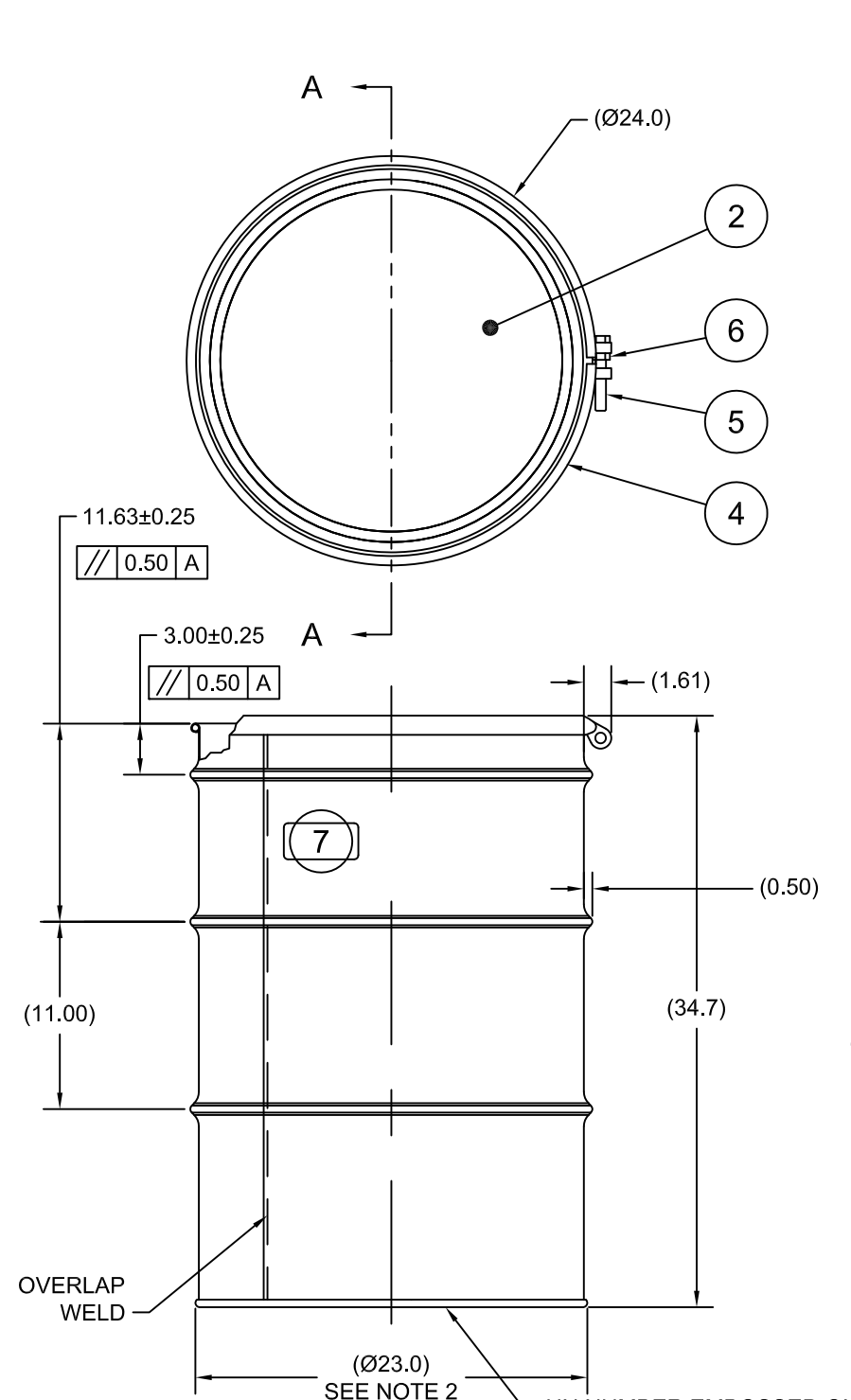


905500

ECN # or INIT	REV	DESCRIPTION	DATE
	A	RELEASED	08-NOV-2006
	A1	CHG'D NOTES, CORRECTED BLOCK	21-NOV-2006
OE-001	A2	CLERICAL ERROR	05-NOV-2009
OE-001	A3	CLERICAL ERROR	18-APR-2013



NOTES:

1. THESE DIMENSIONS REPRESENT DRUM AFTER BEING PROPERLY ASSEMBLED AND CLOSED PER SKOLNIK CLOSING INSTRUCTIONS
2. TO DETERMINE GREATER ACCURACY OF ANY DIAMETRIC DIMENSION, MEASURING OF CIRCUMFERENCE IS REQUIRED
3. CONSTRUCTION per 49 CFR §178.504 (b)

MATERIAL:

1. DRUM BODY AND COVER CRCQ CARBON STEEL PER ASTM A1008 AND ASTM A568 OR EQUIVALENT
2. MATERIAL THICKNESS 1.2mm (0.0433 - 0.0480; 18 GAUGE)
3. GASKET MAT'L PER ASTM D1056

FINISH:

1. DRUM BODY/BOTTOM EXTERIOR PAINTED BLACK (LQ10003)
- COVER EXTERIOR PAINTED WHITE (LQ10020)

UN NUMBER EMBOSSED ON BOTTOM OF DRUM
 1/2" CHARACTERS READING:
 UN/1A2/X435/S/YR
 UN/1A2/Y1.5/150/YR
 1.2 *
 (YR = YEAR OF MANUFACTURE)

TARE WEIGHT:
48 lbs

THE USE OF INFORMATION CONTAINED HEREIN IS RESTRICTED FOR THE BENEFIT OF SKOLNIK INDUSTRIES ONLY. UNAUTHORIZED USE OR DISCLOSURE, COPYING OR OTHERWISE REPRODUCING (IN ANY MANNER) ANY PORTION OF THIS DRAWING WITHOUT PRIOR WRITTEN PERMISSION OF AN AUTHORIZED OFFICIAL OF SKOLNIK INDUSTRIES IS STRICTLY PROHIBITED.

MFG	DRW	CHK	UNLESS STATED OTHERWISE (DIMENSIONS IN PARENTHESIS ARE FOR REFERENCE ONLY!!!) ALL DIMENSIONS ARE IN INCHES DO NOT SCALE DRAWING TOLERANCES: FRACTIONS ±1/4
-	LJT	LJT	
SLS	DR	QA	
APR	MS		
FILE CREATED IN	3 RD	$X^\circ \pm 3^\circ$ $X.X \pm 0.2$ $X.XX \pm 0.10$ $X.XXX \pm 0.030$	
AutoCAD 2002			

ITEM	P/N	DESCRIPTION	QTY
7		UN DURABLE LABEL	1
6	NT5800	5/8-11UNC HEX JAM NUT	1
5	BT5840	5/8-11 X 4in LONG HEX HEAD BOLT	1
4	RBH2212	BOLT RING (HP) 55G 12GA 5/8 LUG	1
3	GE5500	GASKET D EPDM-BLACK	1
2	P2212	COVER 22.5 ID	1
1		BODY/BOTTOM 55 GALLON DRUM 22.5 ID	1

SKOLNIK INDUSTRIES, INC.
 4900 SOUTH KILBOURN AVENUE, CHICAGO, IL 60632

DESCRIPTION
 55 GALLON OPEN HEAD DRUM
 1.2 - 1.2 - 1.2 CRCQ STEEL
 1A2/X435/S & 1A2/Y1.5/150

REL. DATE	PART NUM. / FILENAME	REV
07-NOV-2006	CQ5506	A3