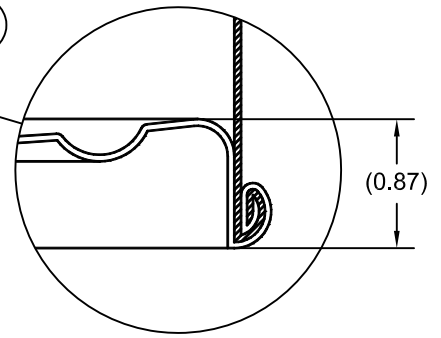
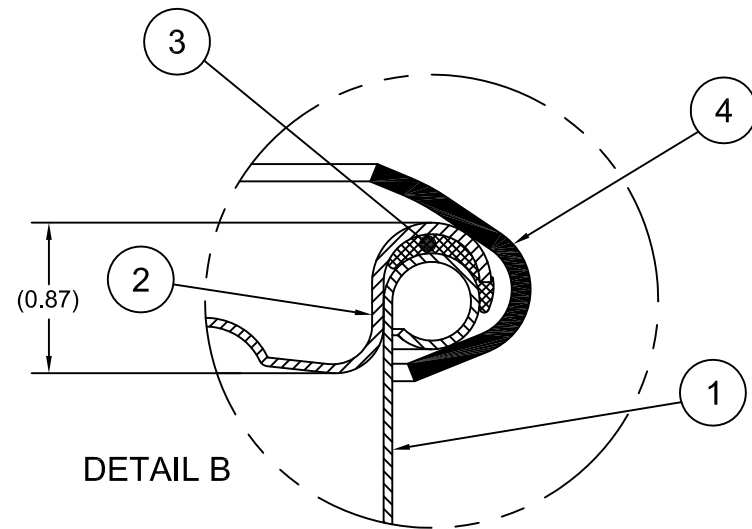
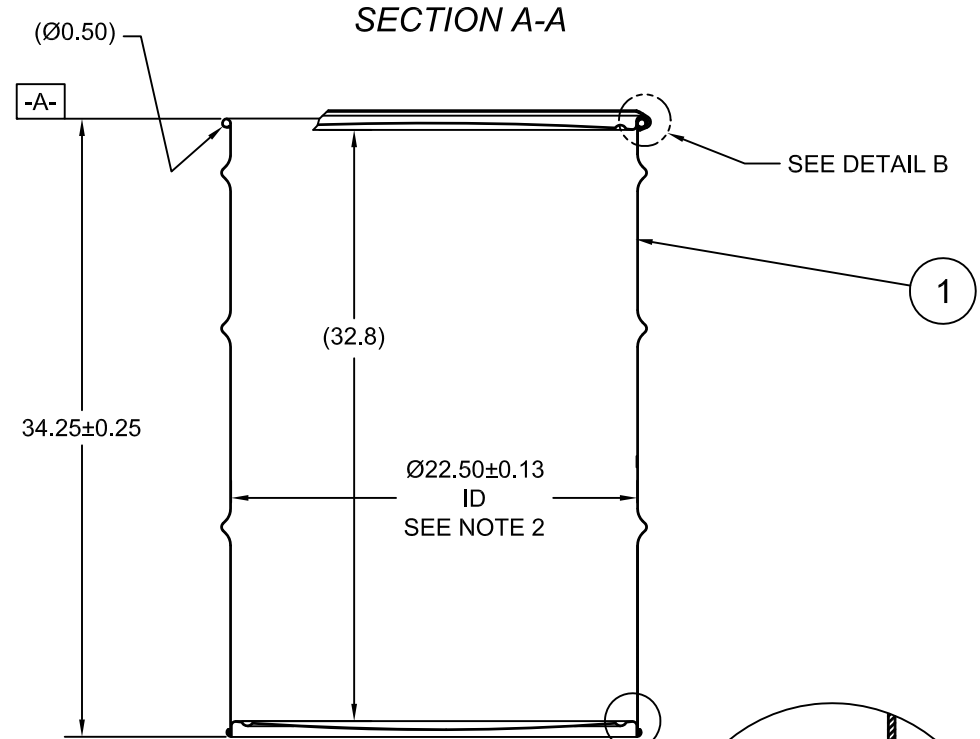
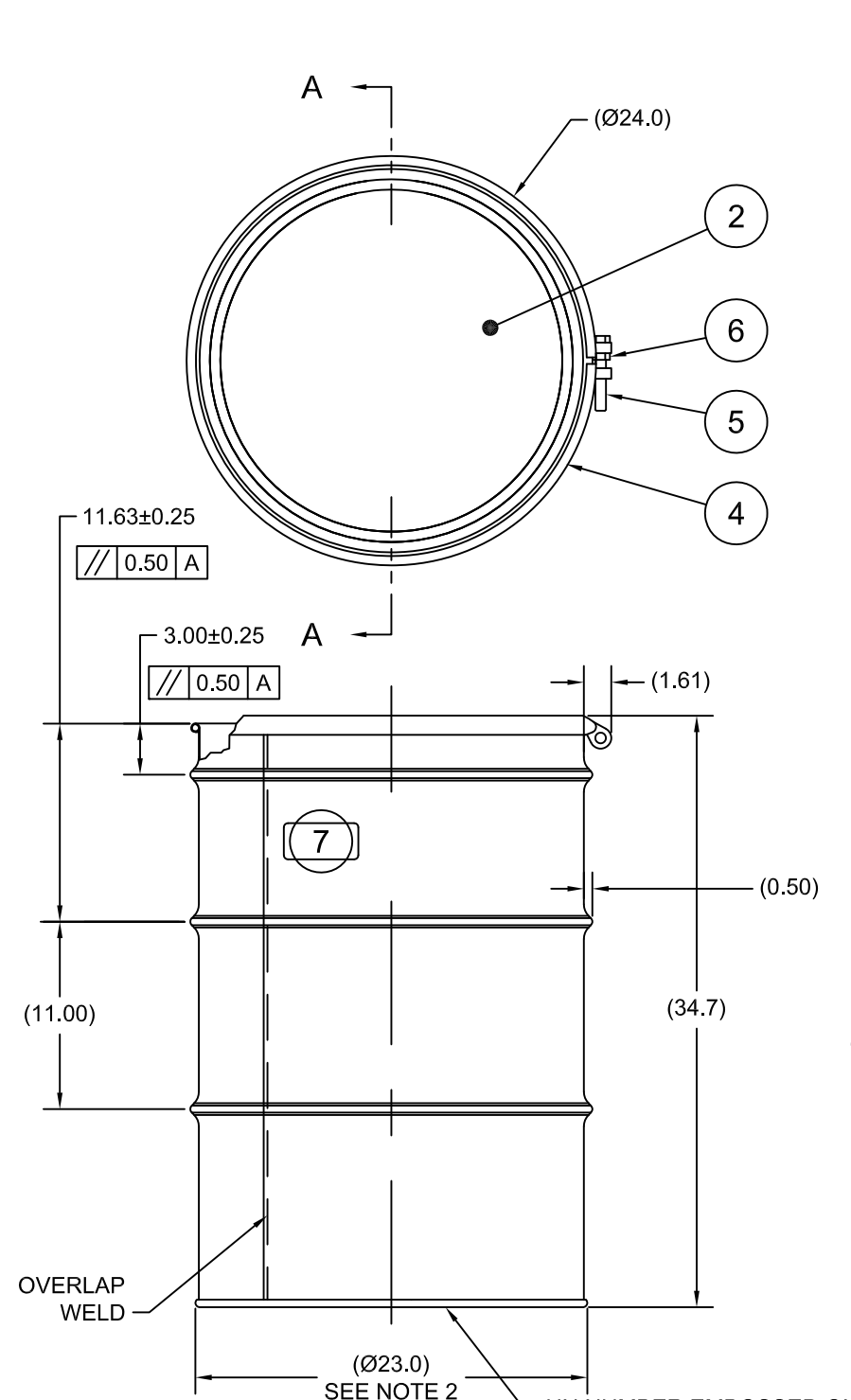


ECN # or INIT	REV	DESCRIPTION	DATE
	A	RELEASED	19-MAR-2007
LJT	A1	ADD'D TARE WEIGHT	23-MAY-2007
LJT	A2	ADD'D NOTE	10-JAN-2008
0E-001	A3	CLERICAL ERROR	16-DEC-2010
0E-001	A4	CORRECTED OVER DEFINITION OF HOOPS	13-DEC-2011
0E-001	A5	REMOVED 'X' FROM COVER	30-APR-2013
0E-001	A6	WAS P2212 (CLERICAL ERROR)	05-SEP-2017



NOTES:

1. THESE DIMENSIONS REPRESENT DRUM AFTER BEING PROPERLY ASSEMBLED AND CLOSED PER SKOLNIK CLOSING INSTRUCTIONS
2. TO DETERMINE GREATER ACCURACY OF ANY DIAMETRIC DIMENSION, MEASURING OF CIRCUMFERENCE IS REQUIRED
3. CONSTRUCTION per 49 CFR §178.504 (b)

MATERIAL:

1. DRUM BODY AND COVER CRCQ CARBON STEEL PER ASTM A1008 AND ASTM A568
2. MATERIAL THICKNESS: COVER 1.5mm (0.0543 - 0.0590, 16 GAUGE), BODY/BOTTOM 1.2mm (0.0433 - 0.0480, 18 GAUGE)
3. GASKET MAT'L PER ASTM D1056

FINISH:

1. COVER EXTERIOR PAINTED WHITE (LQ10020)
DRUM BODY/BOTTOM EXTERIOR PAINTED BLACK (LQ10003)

ITEM	P/N	DESCRIPTION	QTY
7		UN DURABLE LABEL	1
6	NT5800	5/8-11UNC HEX JAM NUT	1
5	BT5840	5/8-11 X 4in LONG HEX HEAD BOLT	1
4	RBH2212	BOLT RING (HP) 55G 12GA 5/8 LUG	1
3	GE5500	GASKET D EPDM-BLACK	1
2	P2215	COVER 22.5 ID	1
1		BODY/BOTTOM 55 GALLON DRUM 22.5 ID	1

UN NUMBER EMBOSSED ON BOTTOM OF DRUM
 1/2" CHARACTERS READING:
 UN/1A2/X400/S/YR
 UN/1A2/Y1.5/150/YR
 1.5 - 1.2 - 1.2 *
 (YR = YEAR OF MANUFACTURE)

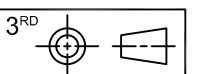
TARE WEIGHT:
50 lbs

UNLESS STATED OTHERWISE

(DIMENSIONS IN PARENTHESIS ARE FOR REFERENCE ONLY!!!)
 ALL DIMENSIONS ARE IN INCHES
 DO NOT SCALE DRAWING
 TOLERANCES:
 FRACTIONS ±1/4
 X° ± 3°
 X.X ± 0.2
 X.XX ± 0.10
 X.XXX ± 0.030

APPROVAL ON FILE

FILE CREATED IN AutoCAD



SKOLNIK INDUSTRIES, INC.
 4900 SOUTH KILBOURN AVENUE, CHICAGO, IL 60632

DESCRIPTION
 55 GALLON OPEN HEAD DRUM
 1.5 - 1.2 - 1.2 CRCQ
 1A2/X400/S & 1A2/Y1.5/150

REL. DATE 19-MAR-2007	PART NUM. / FILENAME CQ5507	REV A6
--------------------------	--------------------------------	-----------

THE USE OF INFORMATION CONTAINED HEREIN IS RESTRICTED FOR THE BENEFIT OF SKOLNIK INDUSTRIES ONLY. UNAUTHORIZED USE OR DISCLOSURE, COPYING OR OTHERWISE REPRODUCING (IN ANY MANNER) ANY PORTION OF THIS DRAWING WITHOUT PRIOR WRITTEN PERMISSION OF AN AUTHORIZED OFFICIAL OF SKOLNIK INDUSTRIES IS STRICTLY PROHIBITED.