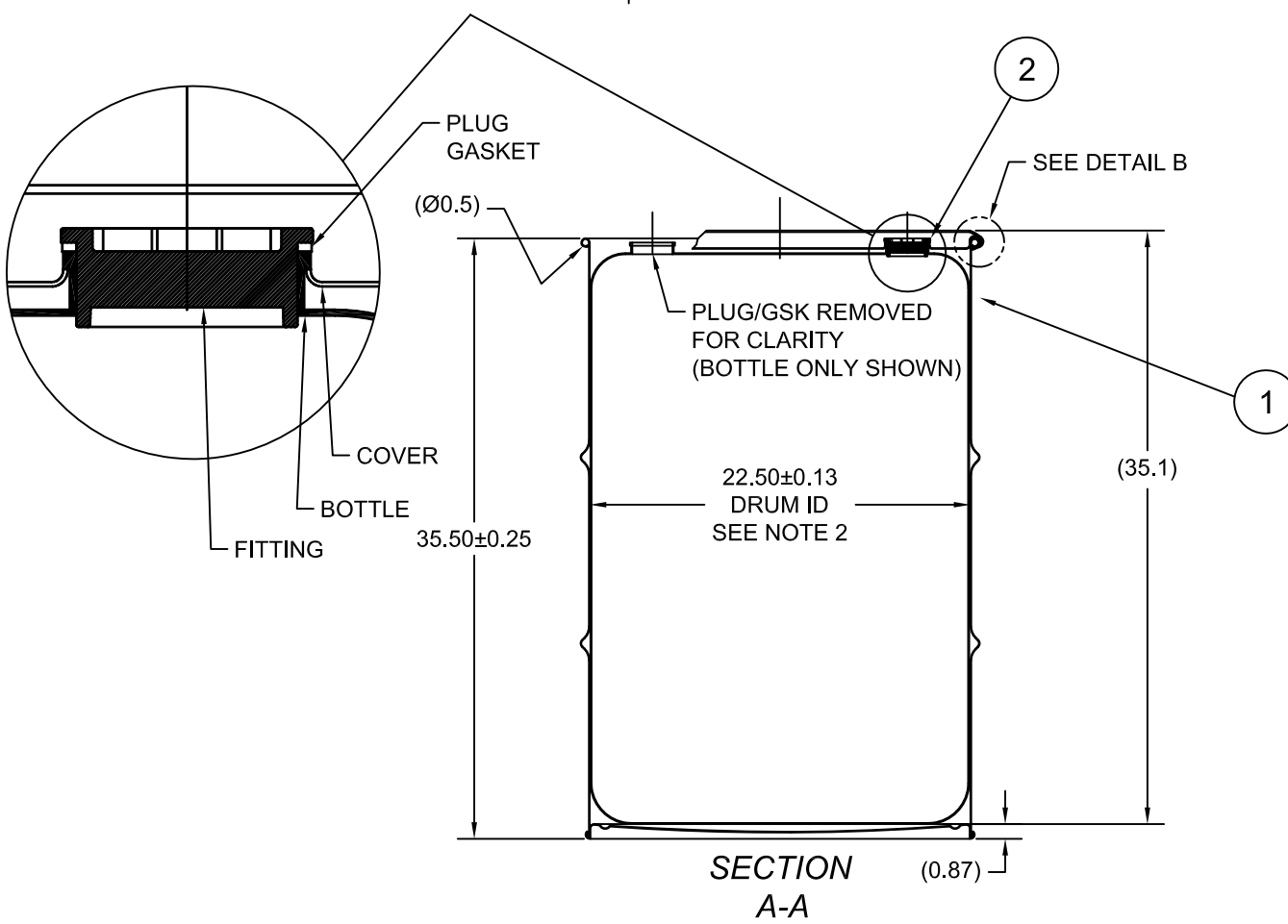
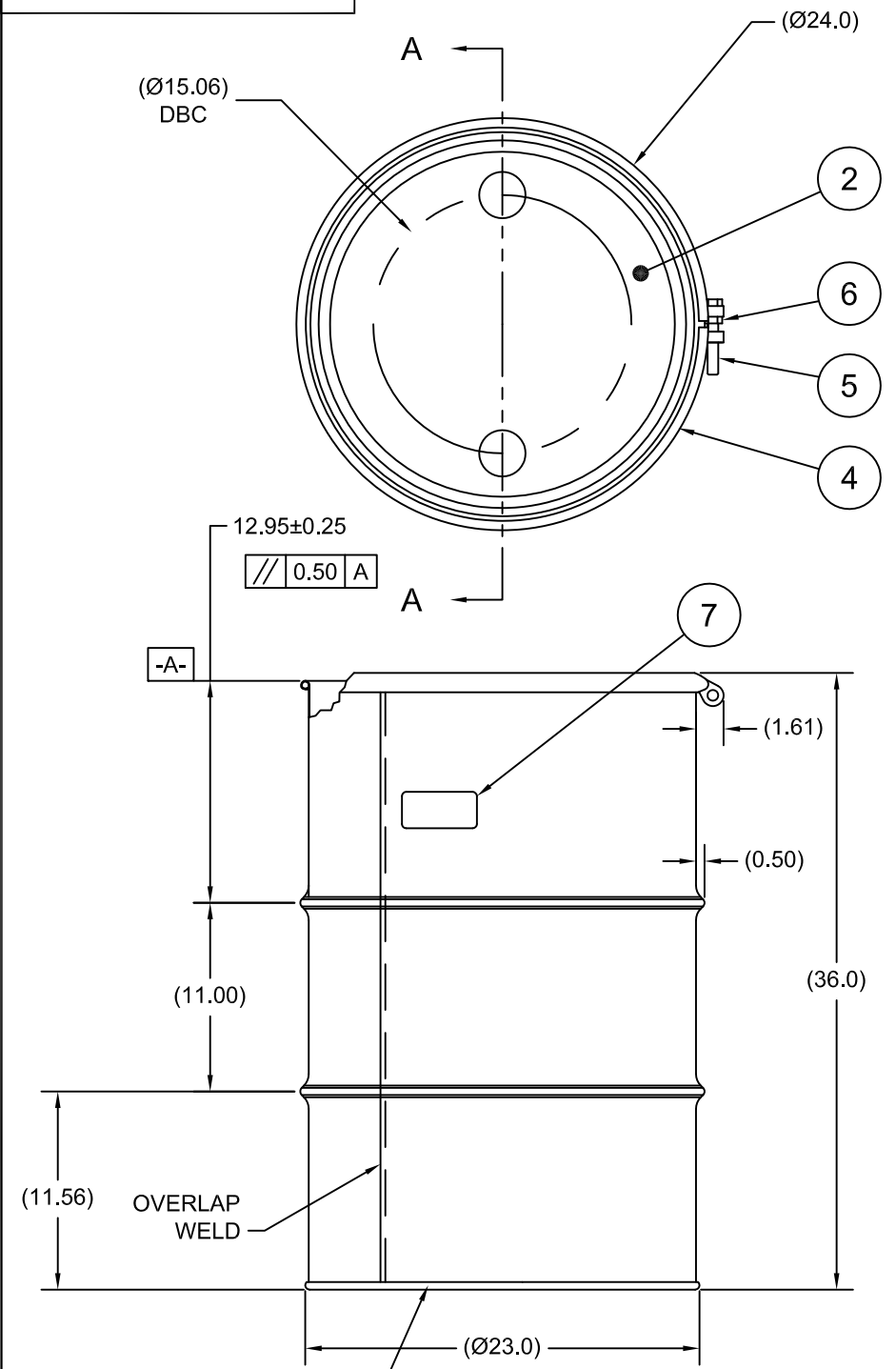


119900



ECN # or INIT	REV	DESCRIPTION	DATE
LJT	C2	REVISED & REDRAWN	30-APR-2009
OE-001	C3	CORRECTED STEEL THICKNESS	29-MAR-2013
OE-001	C4	CORRECTED EMBOSMENT	14-JUL-2014

NOTES:

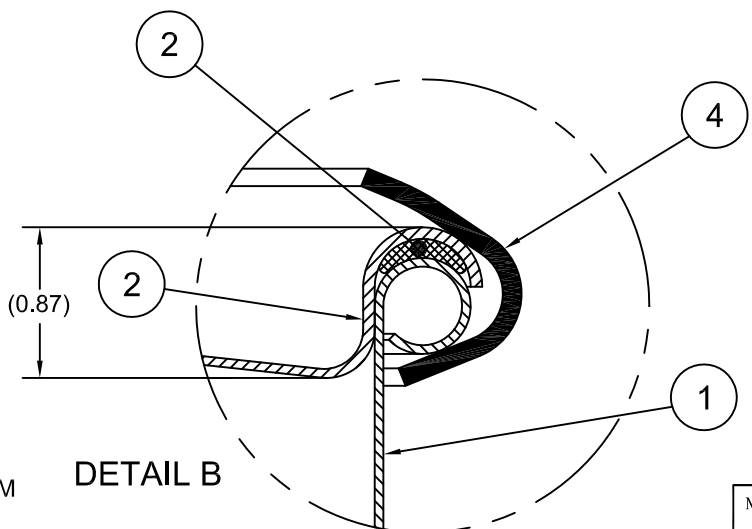
1. THESE DIMENSIONS REPRESENT DRUM AFTER BEING PROPERLY ASSEMBLED AND CLOSED PER SKOLNIK CLOSING INSTRUCTIONS
2. TO DETERMINE GREATER ACCURACY OF ANY DIAMETRIC DIMENSION, MEASURING OF CIRCUMFERENCE IS REQUIRED
3. CONSTRUCTION per 49 CFR §178.522

MATERIAL:

1. DRUM CRCQ CARBON STEEL PER ASTM A1008 AND ASTM A568 OR EQUIVALENT
2. MATERIAL THICKNESS 1.2mm (0.0433 - 0.0480, 18 GAUGE)

FINISH:

1. DRUM BODY/BOTTOM EXTERIOR PAINTED BLACK (LQ10003)
COVER EXTERIOR PAINTED WHITE (LQ10020)



ITEM	P/N	DESCRIPTION	QTY
7		UN DURABLE LABEL	1
6	NT5800	5/8-11UNC HEX JAM NUT	1
5	BT5840	5/8-11UNC X 4 LONG HEX HEAD BOLT	1
4	RBH2212	BOLT RING, 12 GAUGE STEEL	1
2	BC5500	BOTTLE ASSEMBLY (60 mil THICK) BOTTLE IS INTEGRATED W/ COVER (SEE DETAIL 'C'), 1/2 ROUND SPG RUB GASKET, (1) 2in NPS FITTING WITH TS PLUG (1) 2in NPS COMBO FITTING PLUGS TO HAVE EPDM GASKET, HDPE MAT'L PLUGS/FLANGES ARE COURSE THREAD	1
1		55 GALLON DRUM BODY AND BOTTOM	1

UN NUMBER EMBOSSED 1/2" CHARACTERS ON BOTTOM OF DRUM READING:

UN/6HA1/Y1.5/150
YR/USA
1.2 * 

SHEET SIZE:
37.25 X 70.75 (RM10019)

BEST PRINTED ON B-SIZE PAPER

(YR = YEAR OF MANUFACTURE)

TARE WEIGHT:
50 lbs

THE USE OF INFORMATION CONTAINED HEREIN IS RESTRICTED FOR THE BENEFIT OF SKOLNIK INDUSTRIES ONLY. UNAUTHORIZED USE OR DISCLOSURE, COPYING OR OTHERWISE REPRODUCING (IN ANY MANNER) ANY PORTION OF THIS DRAWING WITHOUT PRIOR WRITTEN PERMISSION OF AN AUTHORIZED OFFICIAL OF SKOLNIK INDUSTRIES IS STRICTLY PROHIBITED.

MFG JR	DRW LJT	CHK MAR
SLS DR	QA MD	
APR G. Petersen		
FILE CREATED IN AutoCAD 2002		

UNLESS STATED OTHERWISE
(DIMENSIONS IN PARENTHESIS ARE FOR REFERENCE ONLY!!!)
ALL DIMENSIONS ARE IN INCHES
DO NOT SCALE DRAWING
TOLERANCES:
FRACTIONS ±1/4
X° ± 3°
X.X ± 0.2
X.XX ± 0.10
X.XXX ± 0.030

SKOLNIK INDUSTRIES, INC.
4900 SOUTH KILBOURN AVENUE, CHICAGO, IL 60632

DESCRIPTION
55 GALLON OPEN HEAD COMPOSITE DRUM
1.2 - 1.2 - 1.2 CRCQ STEEL
6HA1/Y1.5/150

REL. DATE 07-JAN-1999	PART NUM. / FILENAME CQ5511	REV C4
--------------------------	--------------------------------	-----------