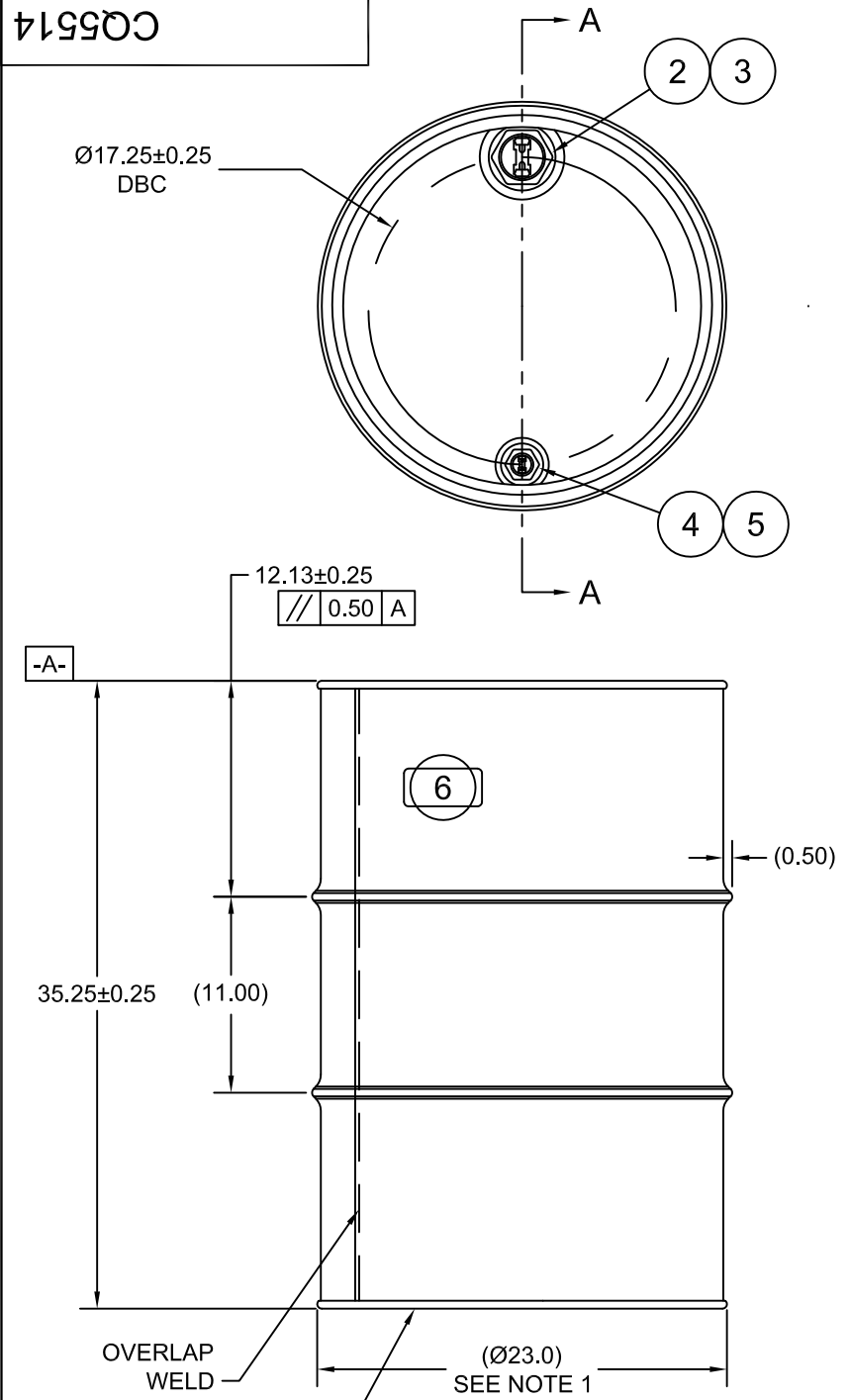


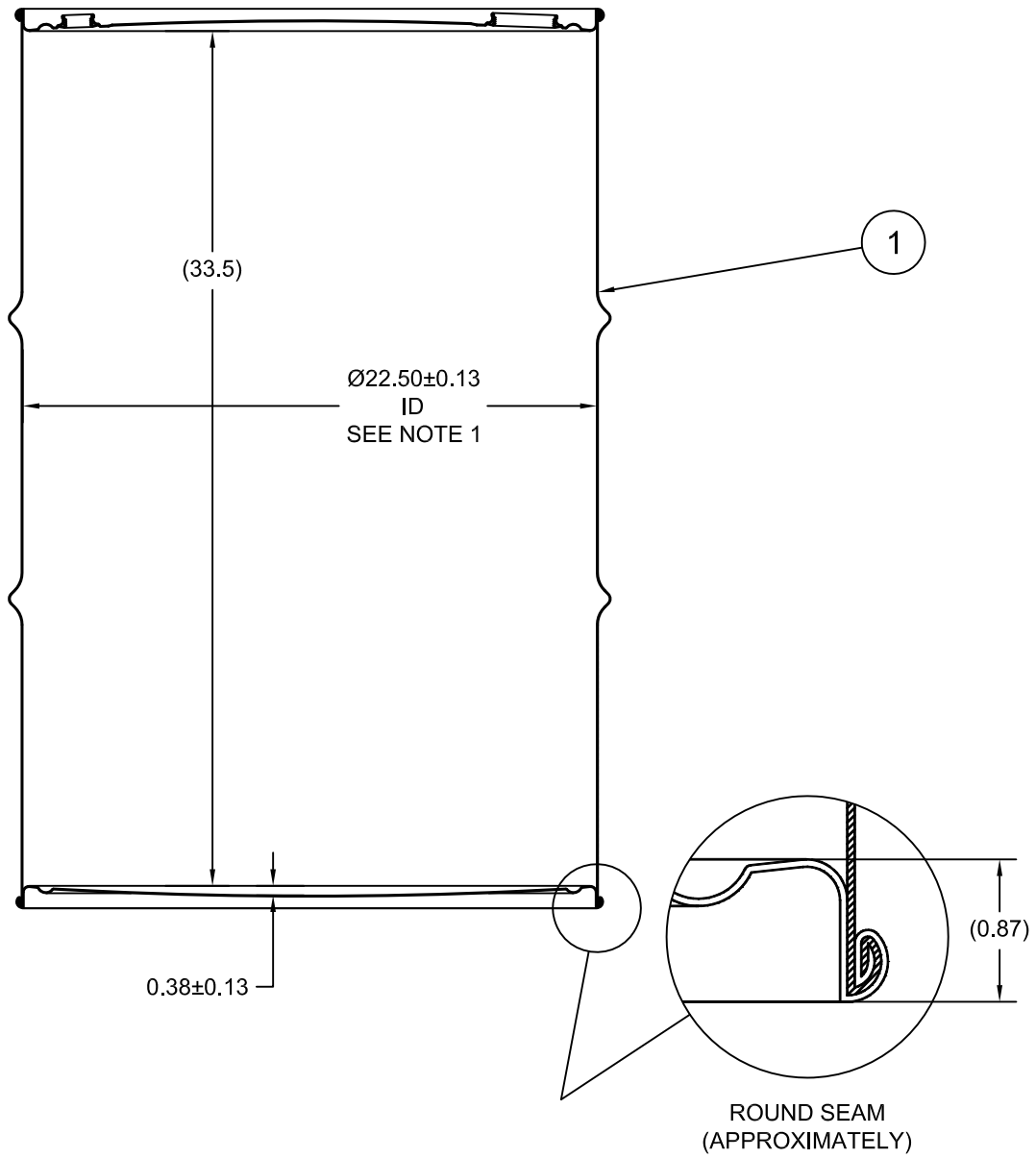
719900



UN NUMBER EMBOSSED ON BOTTOM OF DRUM
 1/2" CHARACTERS
 UN/1A1/X1.6/300
 1.2 - 0.9 - 1.2 *
 (YR = YEAR OF MANUFACTURE)

BEST PRINTED ON B-SIZE PAPER

SECTION A-A
 (FITTING SHOWN WITH PLUGS REMOVED)



TARE WEIGHT:
 40 lbs

| ECN # or INIT | REV | DESCRIPTION | DATE |
|---------------|-----|------------------------------|-------------|
| | A | RELEASED | 23-MAY-2007 |
| OE-004 | A1 | ADJUSTED THICKNESS TOLERANCE | 29-MAR-2013 |
| OE-001 | A2 | CLERICAL ERROR | 15-APR-2013 |

NOTES:

1. TO DETERMINE GREATER ACCURACY OF ANY DIAMETRIC DIMENSION, MEASURING OF CIRCUMFERENCE IS REQUIRED
2. CONSTRUCTION per 49 CFR §178.504 (b)

MATERIAL:

1. DRUM CRCQ CARBON STEEL PER ASTM A1008 AND ASTM A568 OR EQUIVALENT
2. MATERIAL THICKNESS: TOP/BOTTOM 1.2mm (0.0433 - 0.0480, 18 GAUGE), BODY 0.9mm (0.0319 - 0.0370, 20 GAUGE)

FINISH:

1. DRUM BODY EXTERIOR PAINTED BLACK (LQ10003)
 TOP EXTERIOR PAINTED WHITE (LQ10020)

| ITEM | P/N | DESCRIPTION | QTY |
|------|--------|---------------------------|-----|
| 6 | | UN DURABLE LABEL | 1 |
| 5 | PT3000 | PLUG 3/4 TS BUNA GASKET | 1 |
| 4 | FT3000 | FLANGE 3/4 TS BUNA GASKET | 1 |
| 3 | PT2000 | PLUG 2 TS BUNA GASKET | 1 |
| 2 | FT2000 | FLANGE 2 TS BUNA GASKET | 1 |
| 1 | | 55 GALLON TIGHT HEAD DRUM | 1 |

UNLESS STATED OTHERWISE
 (DIMENSIONS IN PARENTHESIS ARE FOR REFERENCE ONLY!!!)
 ALL DIMENSIONS ARE IN INCHES
 DO NOT SCALE DRAWING
 TOLERANCES:
 FRACTIONS ±1/4
 X° ± 3°
 X.X ± 0.2
 X.XX ± 0.10
 X.XXX ± 0.030

THE USE OF INFORMATION CONTAINED HEREIN IS RESTRICTED FOR THE BENEFIT OF SKOLNIK INDUSTRIES ONLY. UNAUTHORIZED USE OR DISCLOSURE, COPYING OR OTHERWISE REPRODUCING (IN ANY MANNER) ANY PORTION OF THIS DRAWING WITHOUT PRIOR WRITTEN PERMISSION OF AN AUTHORIZED OFFICIAL OF SKOLNIK INDUSTRIES IS STRICTLY PROHIBITED.

3RD

SKOLNIK INDUSTRIES, INC.
 4900 SOUTH KILBOURN AVENUE, CHICAGO, IL 60632

DESCRIPTION
 55 GALLON TIGHT HEAD DRUM
 1.2 - 0.9 - 1.2 CRCQ STEEL
 1A1/X1.6/300

REL. DATE
 23-MAY-2007

PART NUM. / FILENAME
CQ5514

REV
A2