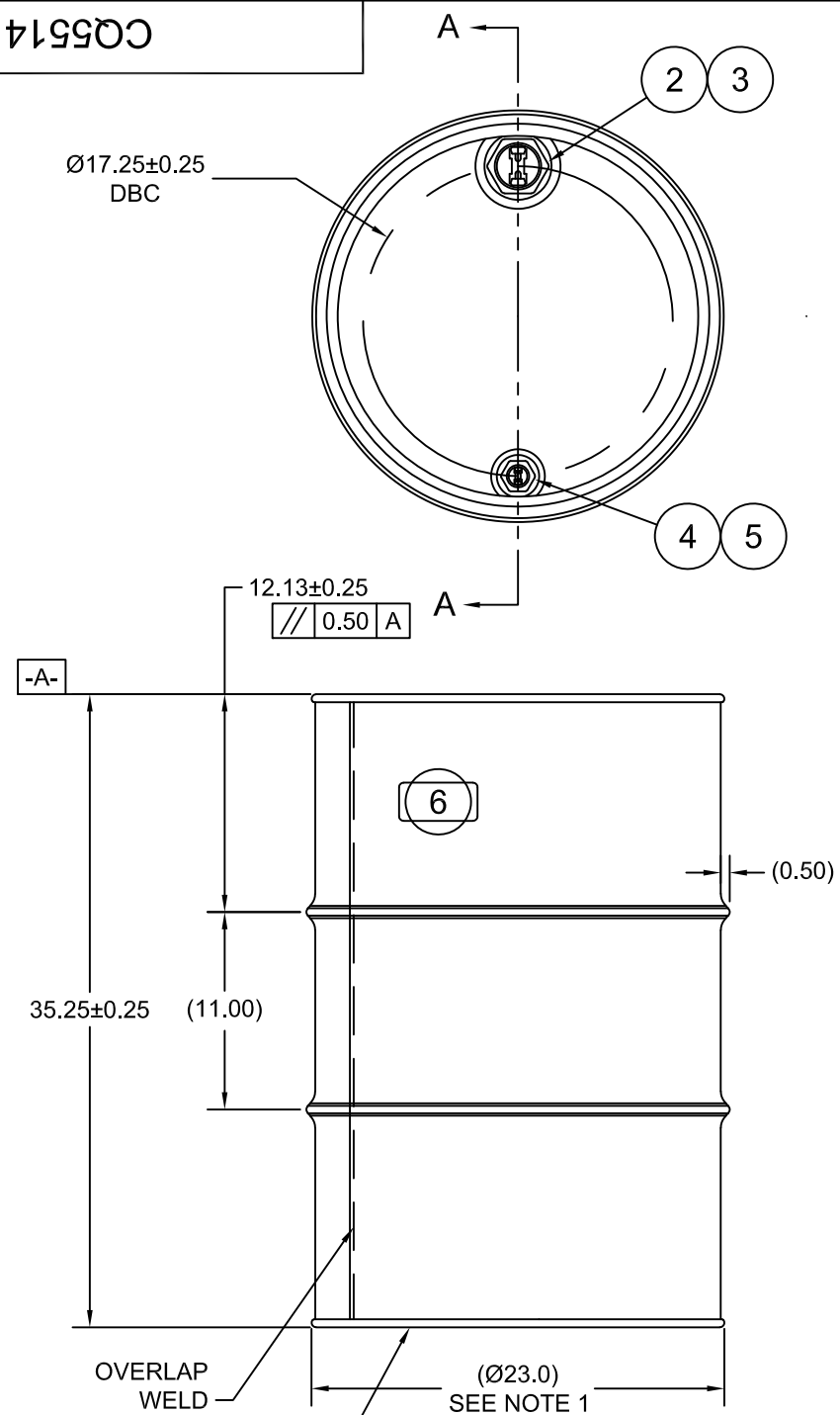
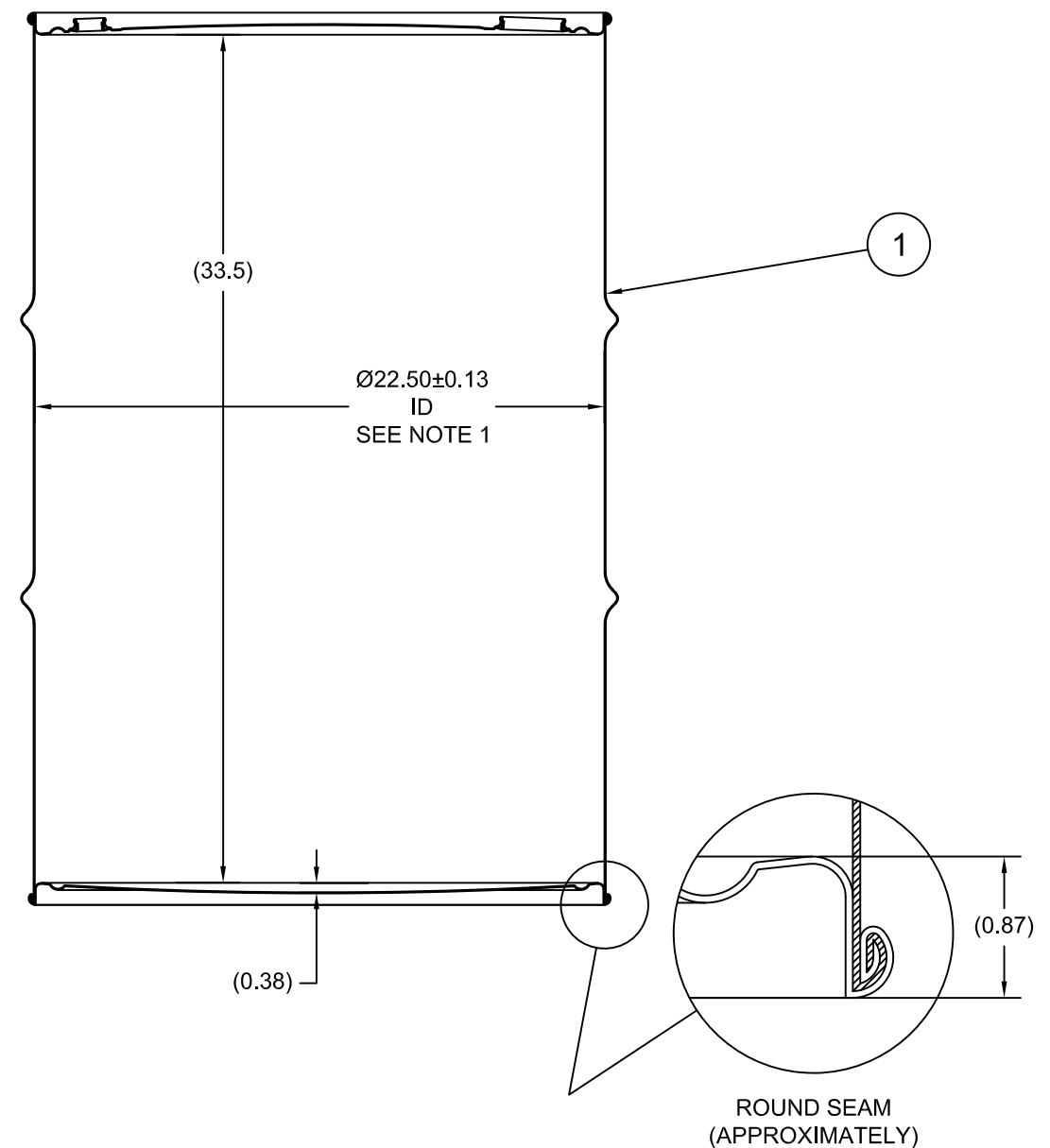


CQ5514



SECTION A-A
(FITTING SHOWN WITH PLUGS REMOVED)



ECN # or INIT	REV	DESCRIPTION	DATE
	A	RELEASED	23-MAY-2007
OE-004	A1	ADJUSTED THICKNESS TOLERANCE	29-MAR-2013
OE-001	A2	CLERICAL ERROR	15-APR-2013
JTS	A3	UPDATE TITLE BLK, BTM THK TO REF UPDATE MAT'L THK (WAS 0.0433 - 0.0480) UPDATE MAT'L THK (WAS 0.0319 - 0.0370)	17-FEB-2020
BAH	A4	UPDATED UN RATING	27-JULY-2022

NOTES:

- TO DETERMINE GREATER ACCURACY OF ANY DIAMETRIC DIMENSION, MEASURING OF CIRCUMFERENCE IS REQUIRED
- CONSTRUCTION per 49 CFR § 178.504 (b)

MATERIAL:

- DRUM CRCQ CARBON STEEL PER ASTM A1008 AND ASTM A568
- MATERIAL THICKNESS: TOP/BOTTOM 1.2mm (0.044 - 0.050, 18 GAUGE), BODY 0.9mm (0.033 - 0.038, 20 GAUGE)

FINISH:

- DRUM BODY EXTERIOR PAINTED BLACK (LQ10003)
TOP EXTERIOR PAINTED WHITE (LQ10020)

ITEM	P/N	DESCRIPTION	QTY
6		UN DURABLE LABEL	1
5	PT3000	PLUG 3/4 TS BUNA GASKET	1
4	FT3000	FLANGE 3/4 TS BUNA GASKET	1
3	PT2000	PLUG 2 TS BUNA GASKET	1
2	FT2000	FLANGE 2 TS BUNA GASKET	1
1		55 GALLON TIGHT HEAD DRUM	1

UN NUMBER EMBOSSED ON BOTTOM OF DRUM
1/2" CHARACTERS

UN/1A1/X1.2/200 1.2 - 0.9 - 1.2 *

(YR = YEAR OF MANUFACTURE)

TARE WEIGHT:
40 lbs

THE USE OF INFORMATION CONTAINED HEREIN IS RESTRICTED FOR THE BENEFIT OF SKOLNIK INDUSTRIES ONLY. UNAUTHORIZED USE OR DISCLOSURE, COPYING OR OTHERWISE REPRODUCING (IN ANY MANNER) ANY PORTION OF THIS DRAWING WITHOUT PRIOR WRITTEN PERMISSION OF AN AUTHORIZED OFFICIAL OF SKOLNIK INDUSTRIES IS STRICTLY PROHIBITED.

APPROVAL ON FILE

FILE CREATED IN
AutoCAD

UNLESS STATED OTHERWISE
(DIMENSIONS IN PARENTHESIS ARE FOR REFERENCE ONLY!!!)

ALL DIMENSIONS ARE IN INCHES
DO NOT SCALE DRAWING
TOLERANCES:
FRACTIONS ±1/4 X° ± 3°
X.X ± 0.2
X.XXX ± 0.10
X.XXX ± 0.030

SKOLNIK INDUSTRIES, INC.
4900 SOUTH KILBOURN AVENUE, CHICAGO, IL 60632

DESCRIPTION
55 GALLON TIGHT HEAD DRUM
1.2 - 0.9 - 1.2 CRCQ STEEL 1A1/X1.2/200

REL. DATE 23-MAY-2007	PART NUM. / FILENAME CQ5514	REV A4
--------------------------	--------------------------------	-----------