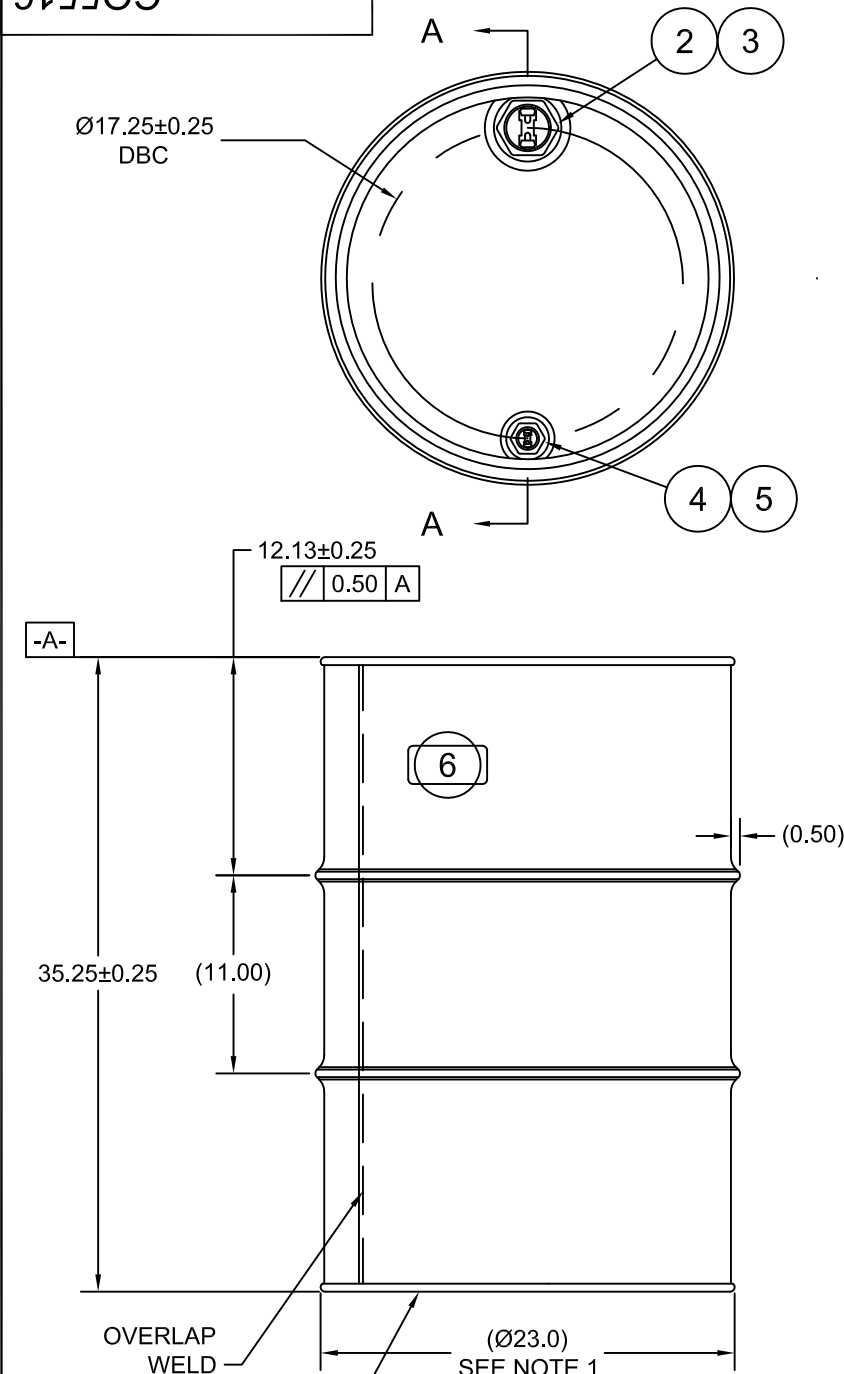


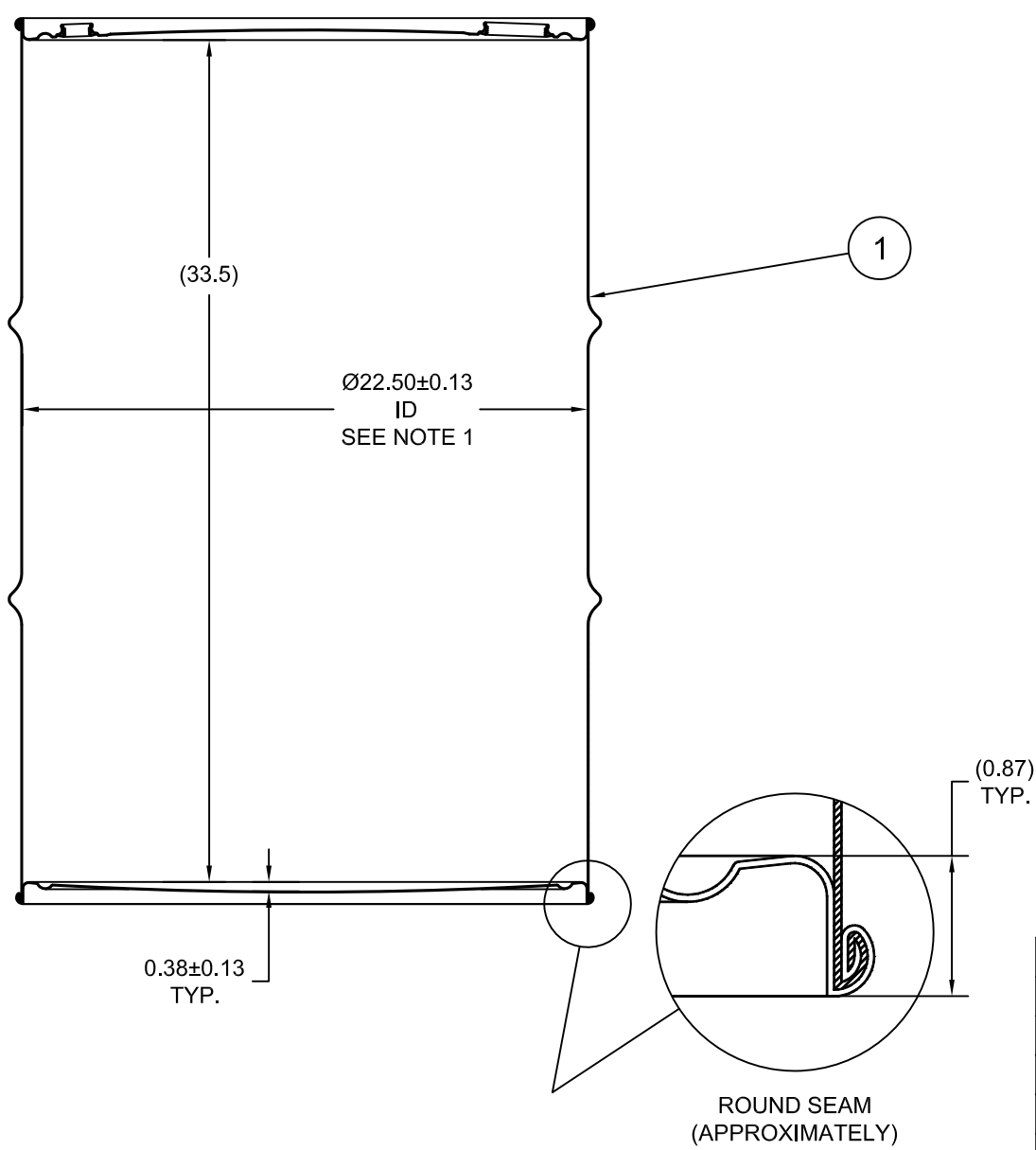
919900



UN NUMBER EMBOSSED ON BOTTOM OF DRUM
 1/2" CHARACTERS
 UN/1A1/X1.8/300
 1.5 *
 (YR = YEAR OF MANUFACTURE)

BEST PRINTED ON B-SIZE PAPER

SECTION A-A
 (FITTING SHOWN WITH PLUGS REMOVED)



TARE WEIGHT:
 60 lbs

ECN # or INIT	REV	DESCRIPTION	DATE
	A1	REDRAWN TO AutoCAD	03-MAR-2009
OE-004	A2	ADJUSTED THICKNESS TOLERANCE	15-APR-2013
OE-004	A3	CLERICAL ERROR	18-APR-2013

NOTES:

1. TO DETERMINE GREATER ACCURACY OF ANY DIAMETRIC DIMENSION, MEASURING OF CIRCUMFERENCE IS REQUIRED
2. CONSTRUCTION per 49 CFR §178.504 (b)

MATERIAL:

1. DRUM CRCQ CARBON STEEL PER ASTM A1008 AND ASTM A568 OR EQUIVALENT
2. MATERIAL THICKNESS: 1.5mm (0.0543 - 0.0590, 16 GAUGE)

FINISH:

1. DRUM BODY EXTERIOR PAINTED BLACK (LQ10003)
 TOP EXTERIOR PAINTED WHITE (LQ10020)

ITEM	P/N	DESCRIPTION	QTY
6		UN DURABLE LABEL	1
5	PT3000	PLUG 3/4 TS BUNA GASKET	1
4	FT3000	FLANGE 3/4 TS BUNA GASKET	1
3	PT2000	PLUG 2 TS BUNA GASKET	1
2	FT2000	FLANGE 2 TS BUNA GASKET	1
1		55 GALLON TIGHT HEAD DRUM	1

MFG JR	DRW LJT	CHK MAR	UNLESS STATED OTHERWISE (DIMENSIONS IN PARENTHESIS ARE FOR REFERENCE ONLY!!!) ALL DIMENSIONS ARE IN INCHES DO NOT SCALE DRAWING TOLERANCES: FRACTIONS ±1/4 X° ± 3° X.X ± 0.2 X.XX ± 0.10 X.XXX ± 0.030	SKOLNIK INDUSTRIES, INC. 4900 SOUTH KILBOURN AVENUE, CHICAGO, IL 60632 DESCRIPTION 55 GALLON TIGHT HEAD DRUM 1.5 - 1.5 - 1.5 CRCQ STEEL 1A1/X1.8/300
	SLS DR	QA MD		
	APR G. Petersen			
FILE CREATED IN AutoCAD 2002			3 RD	REL. DATE -
				PART NUM. / FILENAME CQ5516
				REV A3

THE USE OF INFORMATION CONTAINED HEREIN IS RESTRICTED FOR THE BENEFIT OF SKOLNIK INDUSTRIES ONLY. UNAUTHORIZED USE OR DISCLOSURE, COPYING OR OTHERWISE REPRODUCING (IN ANY MANNER) ANY PORTION OF THIS DRAWING WITHOUT PRIOR WRITTEN PERMISSION OF AN AUTHORIZED OFFICIAL OF SKOLNIK INDUSTRIES IS STRICTLY PROHIBITED.