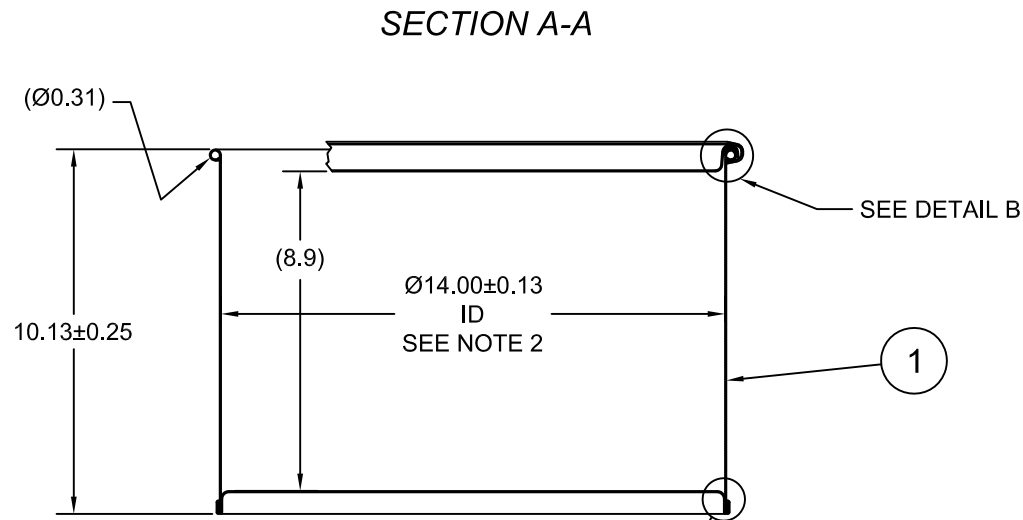
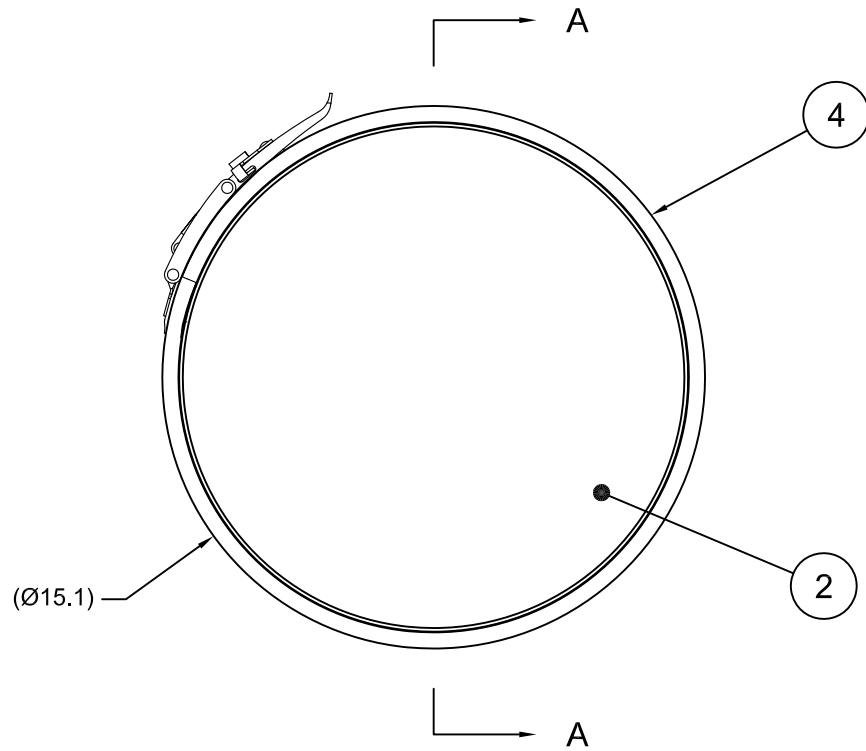


HM0502Q

ECN # or INIT	REV	DESCRIPTION	DATE
OE-005	A1	REDRAWN TO AutoCAD	11-DEC-2012
OE-001	A2	CLERICAL ERROR	08-MAY-2013
OE-018	A3	WAS MULTI-LINGUAL SALVAGE LOGO	14-OCT-2016
17-001	A4	REMOVED LIQUID RATING	06-APR-2017
17-003	B	WAS 18GA COVER	04-DEC-2017



NOTES:

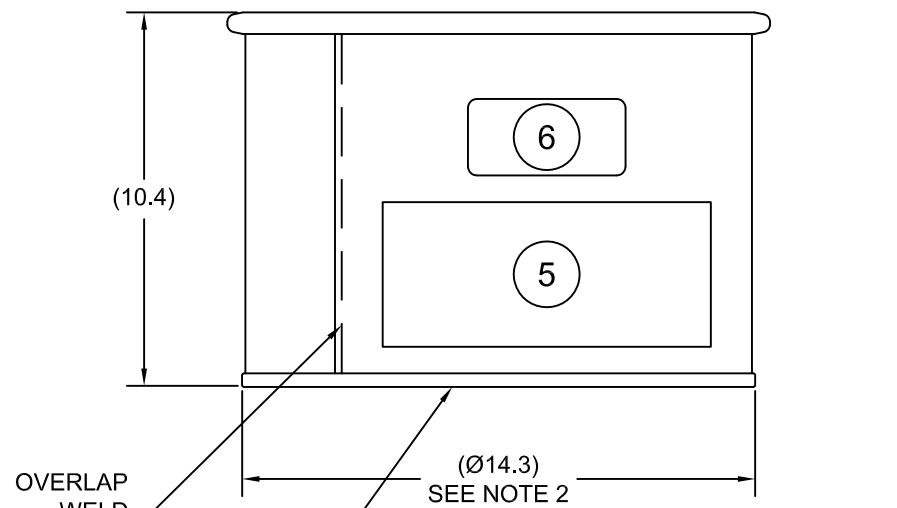
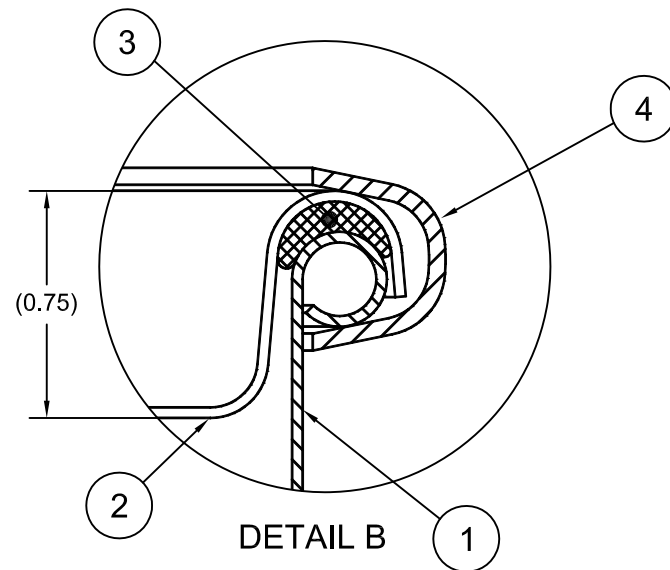
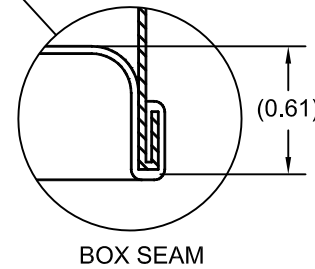
1. THIS DIMENSION REPRESENTS DRUM AFTER BEING PROPERLY ASSEMBLED AND CLOSED PER SKOLNIK CLOSING INSTRUCTIONS
2. TO DETERMINE GREATER ACCURACY OF ANY DIAMETRIC DIMENSION, MEASURING OF CIRCUMFERENCE IS REQUIRED
3. CONSTRUCTION per 49 CFR §178.504 (b)

MATERIAL:

1. CRCQ CARBON STEEL PER ASTM A1008 AND ASTM A568
2. MATERIAL THICKNESS 0.9mm (0.0319 - 0.0370, 20 GAUGE)
3. GASKET MAT'L PER ASTM D1056

FINISH:

1. COVER EXTERIOR PAINTED RED (LQ10017)
- DRUM BODY/BOTTOM EXTERIOR PAINTED YELLOW (LQ10024)



UN NUMBER EMBOSSED ON BOTTOM OF DRUM
 1/2" CHARACTERS READING:
 UN/1A2/X60/S/YR

B 0.9 *

(YR = YEAR OF MANUFACTURE)

TARE WEIGHT:
 10 lbs

THE USE OF INFORMATION CONTAINED HEREIN IS RESTRICTED FOR THE BENEFIT OF SKOLNIK INDUSTRIES ONLY. UNAUTHORIZED USE OR DISCLOSURE, COPYING OR OTHERWISE REPRODUCING (IN ANY MANNER) ANY PORTION OF THIS DRAWING WITHOUT PRIOR WRITTEN PERMISSION OF AN AUTHORIZED OFFICIAL OF SKOLNIK INDUSTRIES IS STRICTLY PROHIBITED.

APPROVAL ON FILE

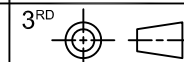
FILE CREATED IN AutoCAD

UNLESS STATED OTHERWISE

(DIMENSIONS IN PARENTHESIS ARE FOR REFERENCE ONLY!!!)

ALL DIMENSIONS ARE IN INCHES
 DO NOT SCALE DRAWING

TOLERANCES:
 FRACTIONS ±1/4
 X° ± 3°
 X.X ± 0.2
 X.XX ± 0.10
 X.XXX ± 0.030



6		UN DURABLE LABEL	1
5	LS1000	LOGO SALVAGE DRUM	1
4	RQ0516	14 DIA QUICK LEVERLOCK RING	1
3	GE0503-01	GASKET 3/8 DIA RD EPDM	1
2	P1409	COVER 14 ID	1
1		BODY/BOTTOM 5 GALLON DRUM 14 ID	1
ITEM	P/N	DESCRIPTION	QTY

SKOLNIK INDUSTRIES, INC.
 4900 SOUTH KILBOURN AVENUE, CHICAGO, IL 60632

DESCRIPTION
 5 GALLON OPEN HEAD DRUM
 0.9 - 0.9 - 0.9 CRCQ STEEL
 1A2/X60/S

REL. DATE	PART NUM. / FILENAME	REV
-	HM0502Q	B