

ØZ080WH

ECN # or INIT	REV	DESCRIPTION	DATE
OE-005	A1	REDRAWN TO AutoCAD	17-DEC-2012
OE-001	A2	CLERICAL ERROR	12-APR-2013
		CORRECTED RING PROFILE & ADDED CHIME VIEW &	
OE-013	A3	REVISED HOOP PROFILE	19-APR-2013
OE-001	A4	CLERICAL ERROR	22-APR-2013
OE-018	A5	WAS MULTI-LINGUAL SALVAGE LOGO	14-OCT-2016
17-001	A6	REMOVED LIQUID RATING	06-APR-2017
17-003	B	COVER WAS 18GA	14-SEP-2017

**NOTES:**

1. THESE DIMENSIONS REPRESENT DRUM AFTER BEING PROPERLY ASSEMBLED AND CLOSED PER SKOLNIK CLOSING INSTRUCTIONS.
2. TO DETERMINE GREATER ACCURACY OF ANY DIAMETRIC DIMENSION, MEASURING OF CIRCUMFERENCE IS REQUIRED
3. CONSTRUCTION per 49 CFR §178.504 (b)

**MATERIAL:**

1. DRUM BODY AND COVER CRCQ CARBON STEEL PER ASTM A1008 AND ASTM A568
2. MATERIAL THICKNESS: 0.9mm (0.0319 - 0.0370, 20 GAUGE)
3. GASKET MAT'L PER ASTM D1056

**FINISH:**

1. COVER EXTERIOR PAINTED RED (LQ10017)
- DRUM BODY/BOTTOM EXTERIOR PAINTED YELLOW (LQ10024)

**REFERENCE:**

1. UN RATING 'UMBRELLA', 49 CFR §178.601 (g)(3) for HM1002Q

6		UN DURABLE LABEL	1
5	LS1000	LOGO SALVAGE DRUM	1
4	RQ0516	14 DIA QUICK LEVERLOCK RING	1
3	GE0503-01	GASKET, EPDM, Ø3/8	1
2	P1409	COVER, Ø14.00 DRUM, CRCQ STEEL	1
1		BODY/BOTTOM 8 GALLON DRUM 14 ID	1
ITEM	P/N	DESCRIPTION	QTY

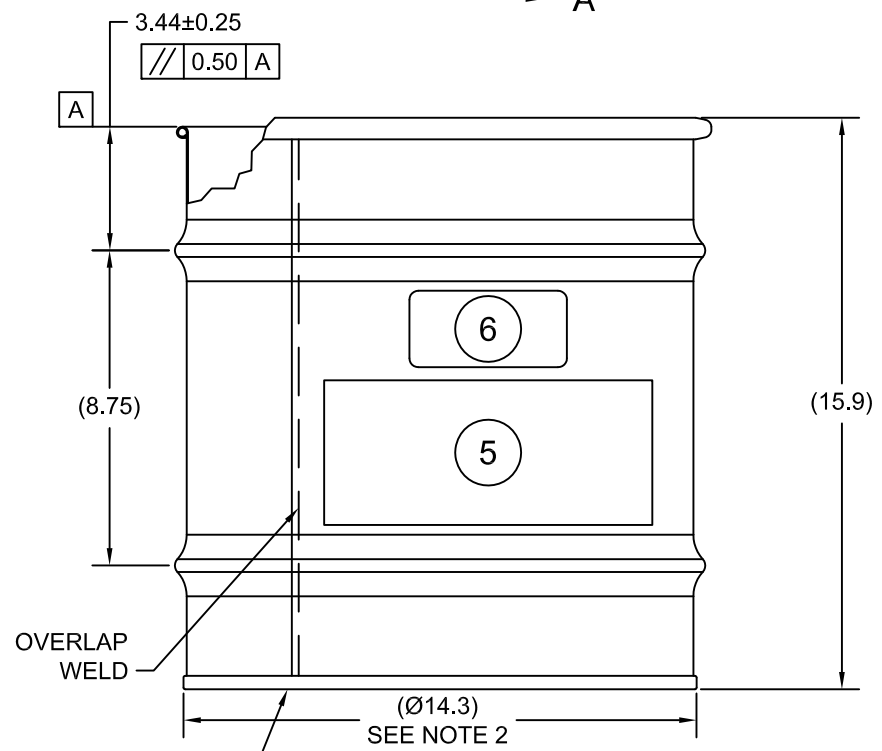
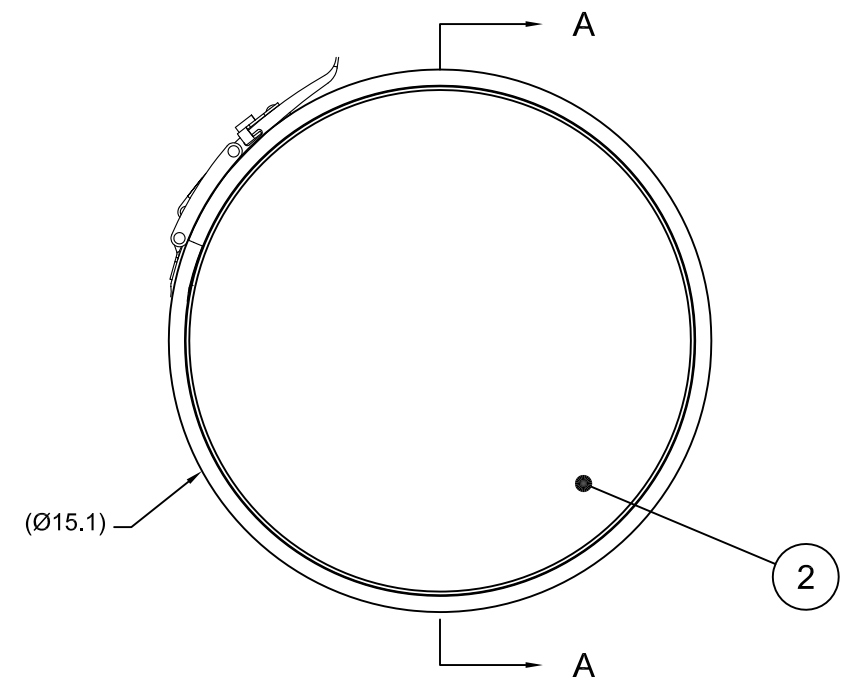
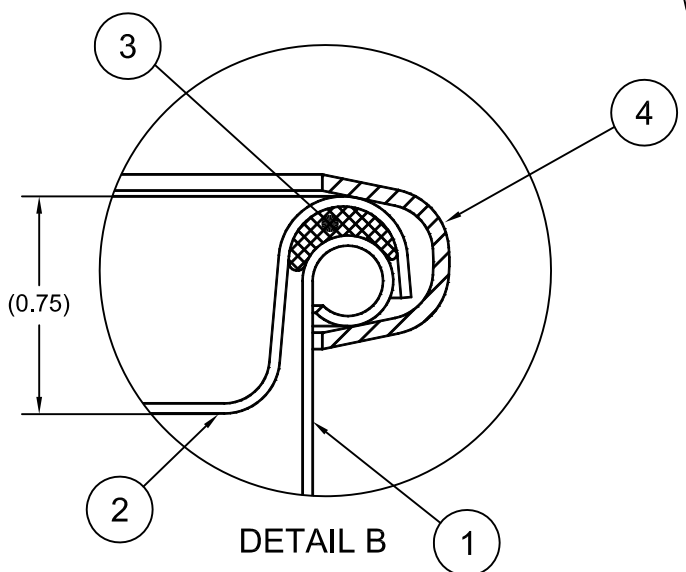
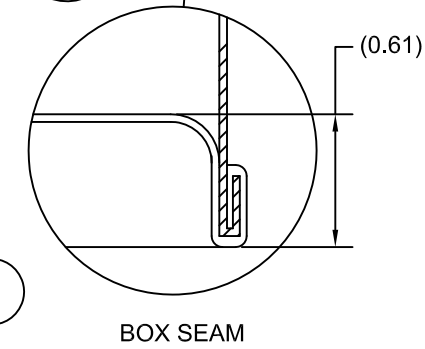
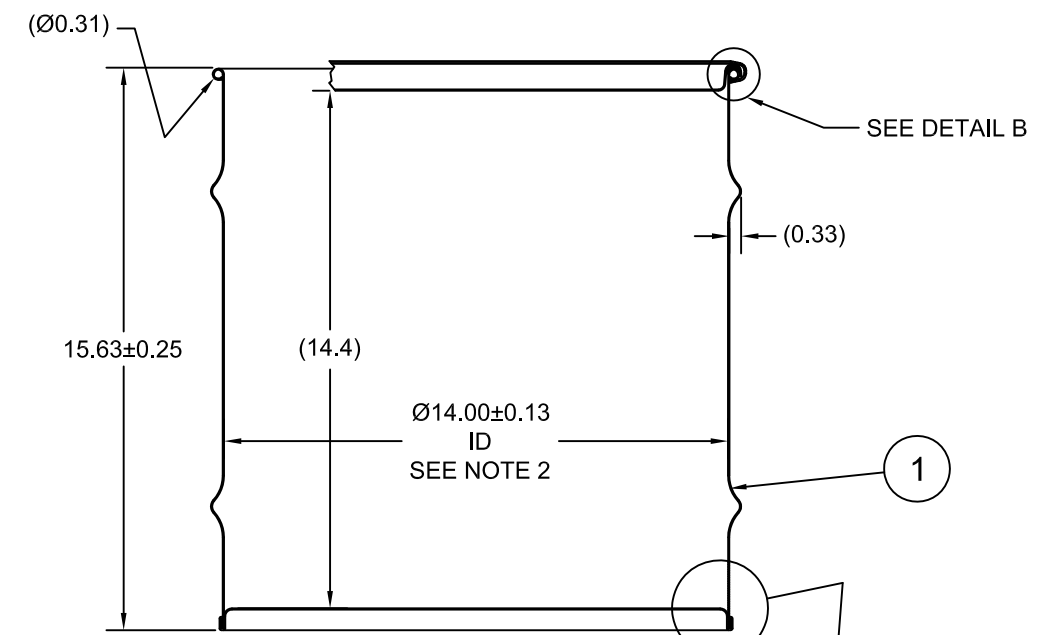
**UNLESS STATED OTHERWISE**  
 (DIMENSIONS IN PARENTHESIS ARE FOR REFERENCE ONLY!!!)  
 ALL DIMENSIONS ARE IN INCHES  
 DO NOT SCALE DRAWING  
 TOLERANCES:  
 FRACTIONS ±1/4  
 X° ± 3°  
 X.X ± 0.2  
 X.XX ± 0.10  
 X.XXX ± 0.030

**SKOLNIK INDUSTRIES, INC.**  
 4900 SOUTH KILBOURN AVENUE, CHICAGO, IL 60632

DESCRIPTION  
 8 GALLON OPEN HEAD DRUM  
 0.9 - 0.9 - 0.9 CRCQ STEEL  
 1A2/X96/S

REL. DATE: - PART NUM. / FILENAME: HM0802Q REV: B

**SECTION A-A**



UN NUMBER EMBOSSED ON BOTTOM OF DRUM  
 1/2" CHARACTERS :  
 UN/1A2/X96/S/YR

0.9 \*

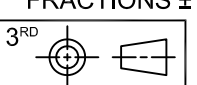
BEST PRINTED ON B-SIZE PAPER (YR = YEAR OF MANUFACTURE)

TARE WEIGHT:  
 14 lbs

THE USE OF INFORMATION CONTAINED HEREIN IS RESTRICTED FOR THE BENEFIT OF SKOLNIK INDUSTRIES ONLY. UNAUTHORIZED USE OR DISCLOSURE, COPYING OR OTHERWISE REPRODUCING (IN ANY MANNER) ANY PORTION OF THIS DRAWING WITHOUT PRIOR WRITTEN PERMISSION OF AN AUTHORIZED OFFICIAL OF SKOLNIK INDUSTRIES IS STRICTLY PROHIBITED.

**APPROVAL ON FILE**

FILE CREATED IN AutoCAD



3<sup>RD</sup>