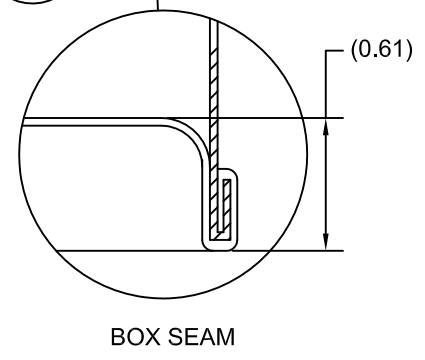
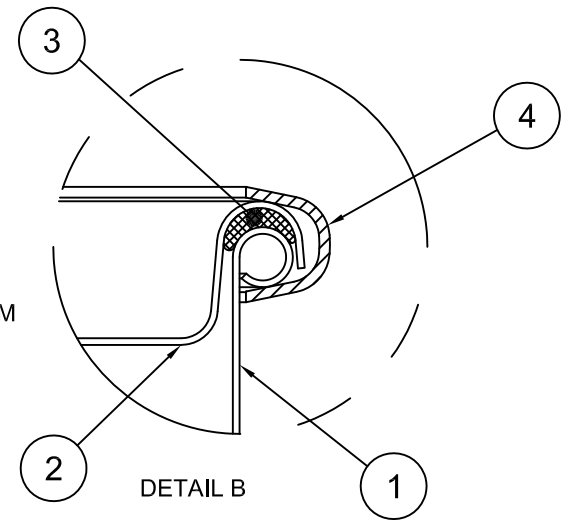
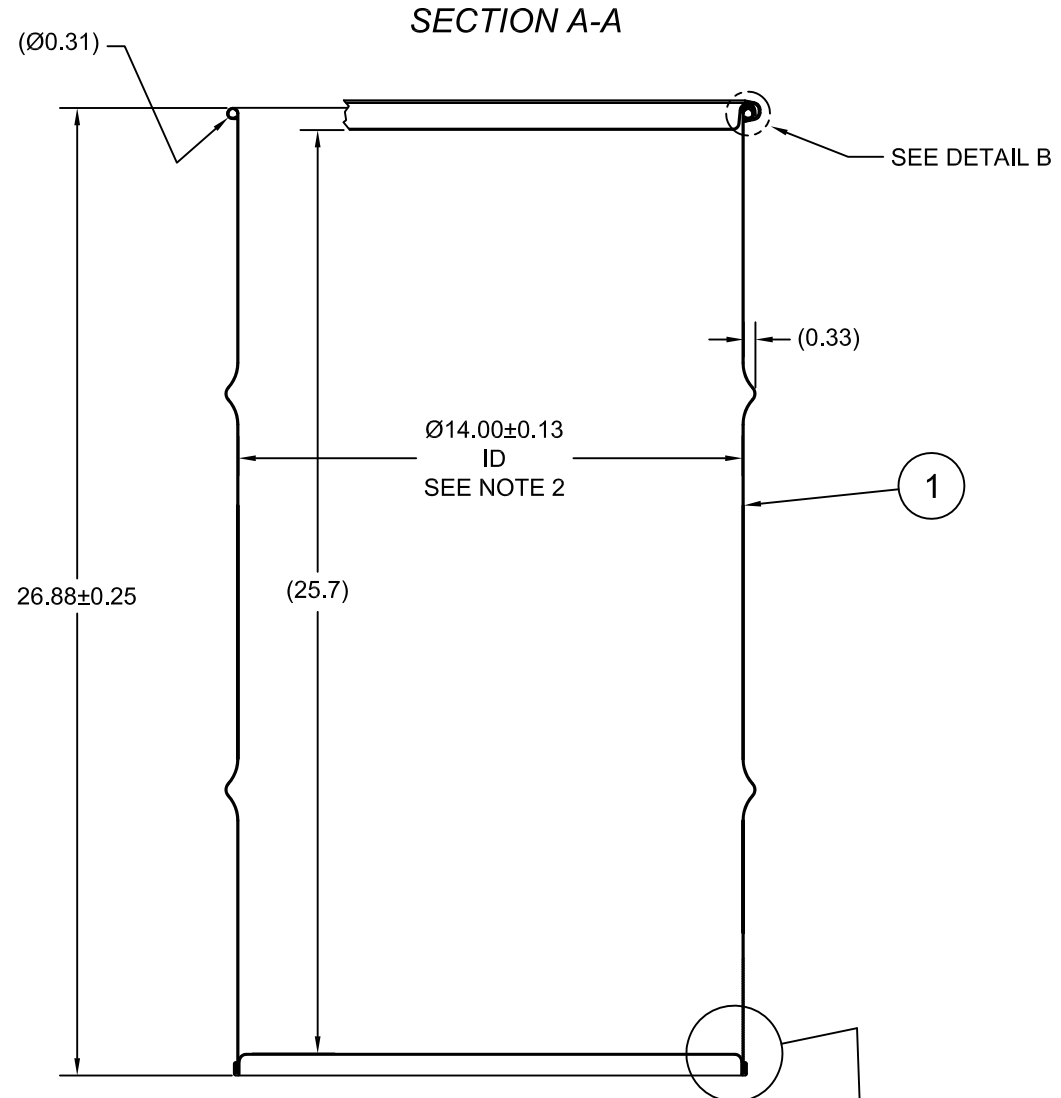
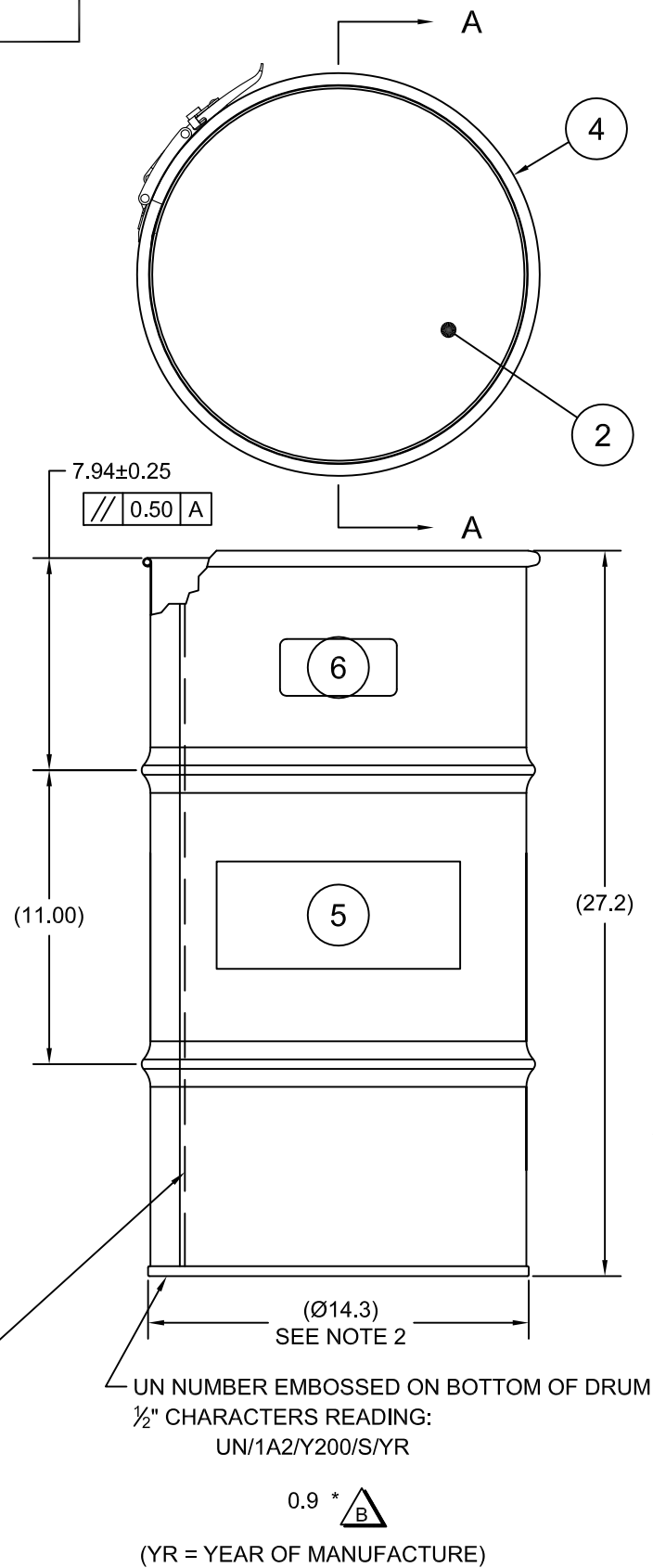


ØZ091WH

ECN # or INIT	REV	DESCRIPTION	DATE
OE-005	A1	REDRAWN TO AutoCAD	23-JAN-2013
OE-001	A2	CLERICAL ERROR	10-APR-2013
		CORRECTED RING PROFILE & ADDED CHIME VIEW &	
OE-013	A3	REVISED HOOP PROFILE	19-APR-2013
OE-018	A4	WAS MULTI-LINGUAL SALVAGE LOGO	14-OCT-2016
17-001	A5	REMOVED LIQUID RATING	06-APR-2017
17-003	B	COVER WAS 18GA	09-APR-2018
OE-019	B1	UPDATED FOR NEW STEEL THICKNESS	09-APR-2018



**NOTES:**

1. THESE DIMENSIONS REPRESENT DRUM AFTER BEING PROPERLY ASSEMBLED AND CLOSED PER SKOLNIK CLOSING INSTRUCTIONS.
2. TO DETERMINE GREATER ACCURACY OF ANY DIAMETRIC DIMENSION, MEASURING OF CIRCUMFERENCE IS REQUIRED
3. CONSTRUCTION per 49 CFR § 178.504 (b)

**MATERIAL:**

1. DRUM BODY AND COVER CRCQ CARBON STEEL PER ASTM A1008 AND ASTM A568
2. MATERIAL THICKNESS: 0.9mm (0.033 - 0.037, 20 GAUGE)
3. GASKET MAT'L PER ASTM D1056

**FINISH:**

1. COVER EXTERIOR PAINTED RED (LQ10017)
- BODY/BOTTOM EXTERIOR PAINTED YELLOW (LQ10024)

ITEM	P/N	DESCRIPTION	QTY
6		UN DURABLE LABEL	1
5	LS1000	LOGO SALVAGE DRUM	1
4	RQ0516	OUTSIDE LEVERLOCK RING	1
3	GE0503-01	GASKET, 3/8 ROUND EPDM	1
2	P1409	COVER 14in ID	1
1		BODY/BOTTOM 16 GALLON DRUM 14 ID	1

TARE WEIGHT:  
19 lbs

THE USE OF INFORMATION CONTAINED HEREIN IS RESTRICTED FOR THE BENEFIT OF SKOLNIK INDUSTRIES ONLY. UNAUTHORIZED USE OR DISCLOSURE, COPYING OR OTHERWISE REPRODUCING (IN ANY MANNER) ANY PORTION OF THIS DRAWING WITHOUT PRIOR WRITTEN PERMISSION OF AN AUTHORIZED OFFICIAL OF SKOLNIK INDUSTRIES IS STRICTLY PROHIBITED.

**APPROVAL ON FILE**

FILE CREATED IN  
AutoCAD

**UNLESS STATED OTHERWISE**  
(DIMENSIONS IN PARENTHESIS ARE FOR REFERENCE ONLY!!)

ALL DIMENSIONS ARE IN INCHES  
DO NOT SCALE DRAWING

TOLERANCES:  
FRACTIONS ±1/4

X° ± 3°  
X.X ± 0.2  
X.XX ± 0.10  
X.XXX ± 0.030

**SKOLNIK INDUSTRIES, INC.**  
4900 SOUTH KILBOURN AVENUE, CHICAGO, IL 60632

DESCRIPTION  
16 GALLON OPEN HEAD DRUM  
0.9 - 0.9 - 0.9 CRCQ STEEL  
1A2/Y200/S

REL. DATE  
-

PART NUM. / FILENAME  
HM1602Q

REV  
B1