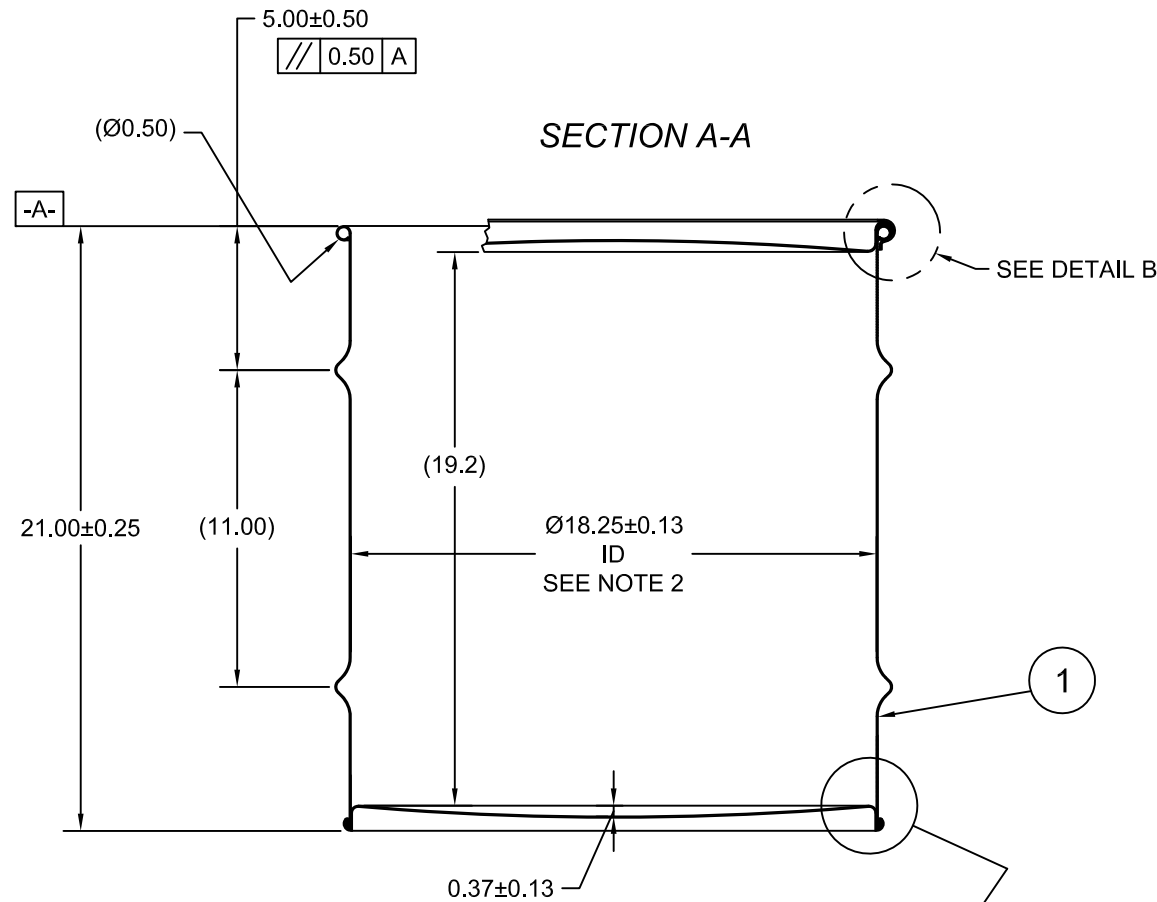
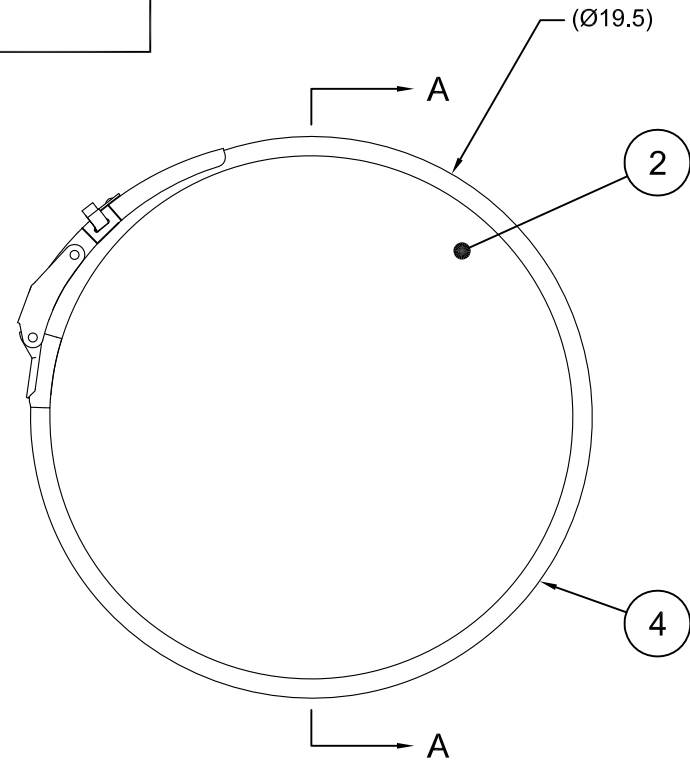


HM2001Q

ECN # or INIT	REV	DESCRIPTION	DATE
OE-005	A1	REDRAWN IN AutoCAD	31-JAN-2013
OE-001	A2	ADDED CHIME VIEW	29-APR-2013
OE-018	A3	WAS MULTI-LINGUAL SALVAGE LOGO	17-OCT-2016
17-001	A4	REMOVED LIQUID RATING	04-APR-2017



NOTES:

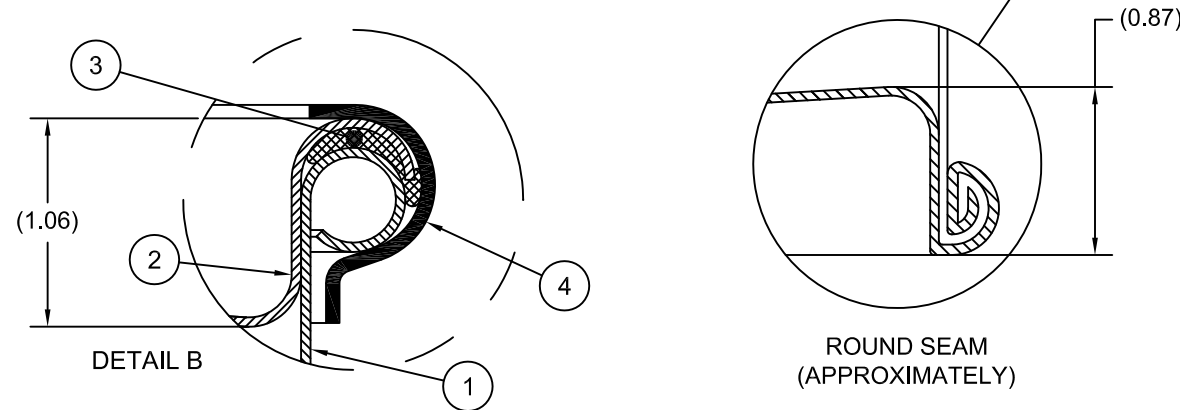
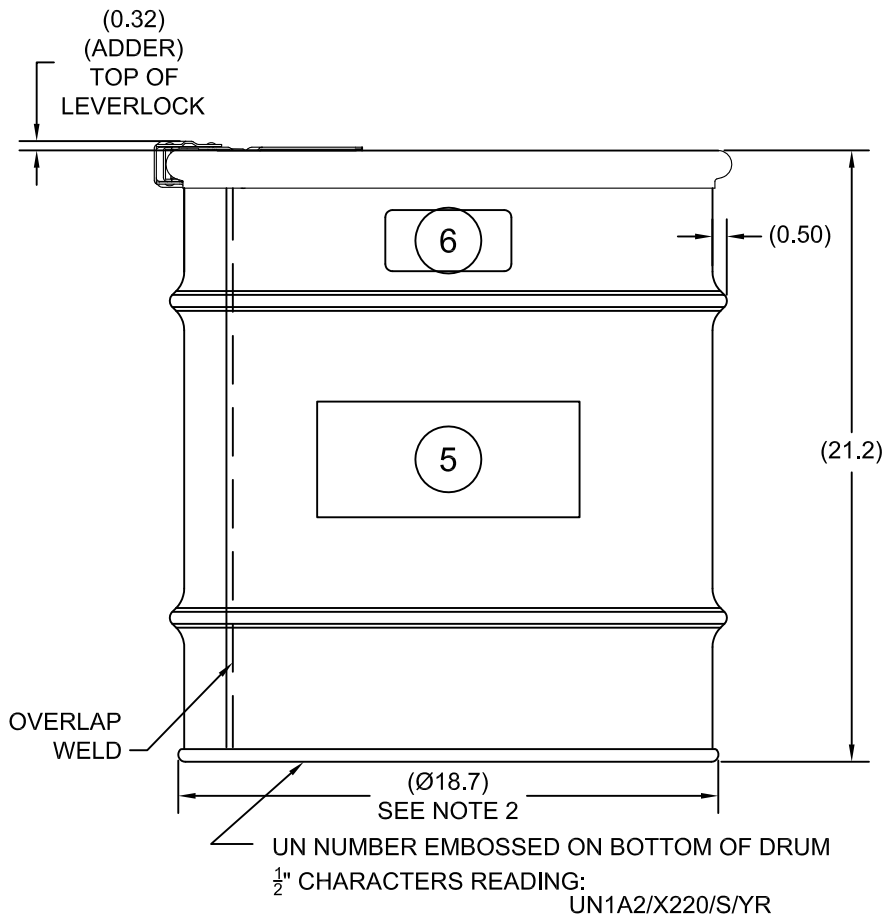
1. THESE DIMENSIONS REPRESENT DRUM AFTER BEING PROPERLY ASSEMBLED AND CLOSED PER SKOLNIK CLOSING INSTRUCTIONS
2. TO DETERMINE GREATER ACCURACY OF ANY DIAMETRIC DIMENSION, MEASURING OF CIRCUMFERENCE IS REQUIRED
3. CONSTRUCTION per 49 CFR §178.504 (b)

MATERIAL:

1. DRUM BODY AND COVER CRCQ CARBON STEEL PER ASTM A1008 AND ASTM A568
2. MATERIAL THICKNESS 1.2mm (0.0433 - 0.0480; 18 GAUGE)
3. GASKET MAT'L PER ASTM D1056

FINISH:

1. DRUM BODY/BOTTOM EXTERIOR PAINTED YELLOW (LQ10024)
COVER EXTERIOR PAINTED RED (LQ10017)



ITEM	P/N	DESCRIPTION	QTY
6		UN DURABLE LABEL	1
5	LS1000	LOGO SALVAGE DRUM	1
4	RQ2013	20/30 GAL OUTSIDE LEVERLOCK RING	1
3	GE2000	GASKET EPDM IN-COVER D	1
2	P1812	COVER, Ø18.25 DRUM, CRCQ STEEL	1
1		BODY/BOTTOM 20 GALLON Ø18.25 ID	1

UN NUMBER EMBOSSED ON BOTTOM OF DRUM
1/2" CHARACTERS READING:
UN1A2/X220/S/YR

TARE WEIGHT:
27 lbs

BEST PRINTED ON B-SIZE PAPER

1.2 *
(YR = YEAR OF MANUFACTURE)

THE USE OF INFORMATION CONTAINED HEREIN IS RESTRICTED FOR THE BENEFIT OF SKOLNIK INDUSTRIES ONLY. UNAUTHORIZED USE OR DISCLOSURE, COPYING OR OTHERWISE REPRODUCING (IN ANY MANNER) ANY PORTION OF THIS DRAWING WITHOUT PRIOR WRITTEN PERMISSION OF AN AUTHORIZED OFFICIAL OF SKOLNIK INDUSTRIES IS STRICTLY PROHIBITED.

APPROVAL ON FILE

FILE CREATED IN AutoCAD

UNLESS STATED OTHERWISE

(DIMENSIONS IN PARENTHESIS ARE FOR REFERENCE ONLY!!!)

ALL DIMENSIONS ARE IN INCHES
DO NOT SCALE DRAWING

TOLERANCES:

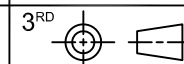
FRACTIONS ±1/4

X° ± 3°

X.X ± 0.2

X.XX ± 0.10

X.XXX ± 0.030



SKOLNIK INDUSTRIES, INC.
4900 SOUTH KILBOURN AVENUE, CHICAGO, IL 60632

DESCRIPTION
20 GALLON OPEN HEAD DRUM
1.2 - 1.2 - 1.2 CRCQ
1A2/X220/S

REL. DATE

-

PART NUM. / FILENAME

HM2001Q

REV

A4