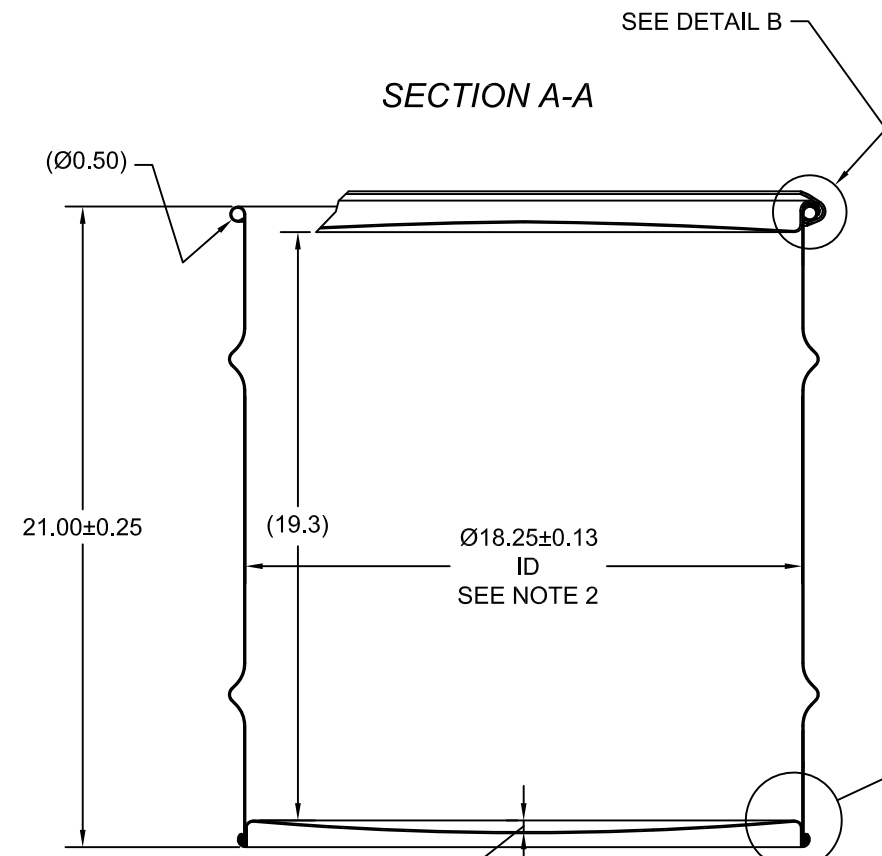
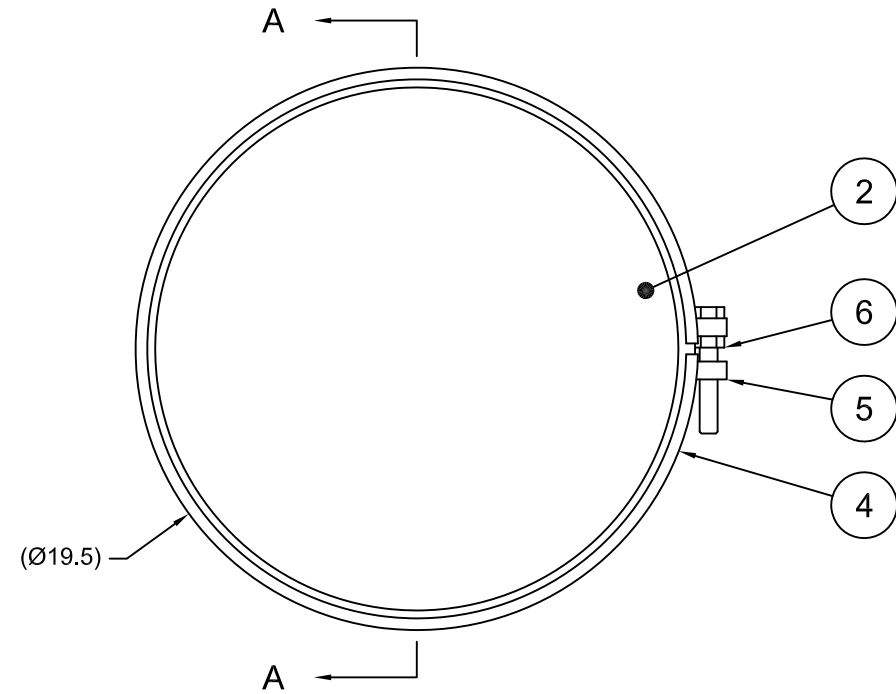


100ZWH

ECN # or INIT	REV	DESCRIPTION	DATE
OE-005	A1	REDRAWN TO AutoCAD	23-JAN-2013
OE-001	A2	CLERICAL ERROR	18-APR-2013
OE-018	A3	WAS MULTI-LINGUAL SALVAGE LOGO	17-OCT-2016



NOTES:

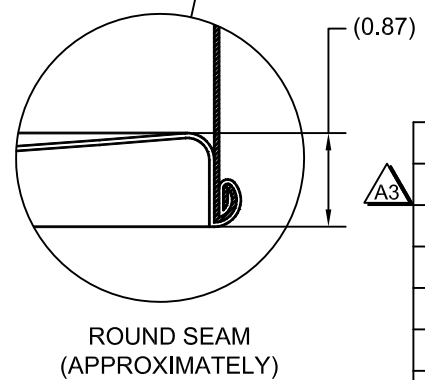
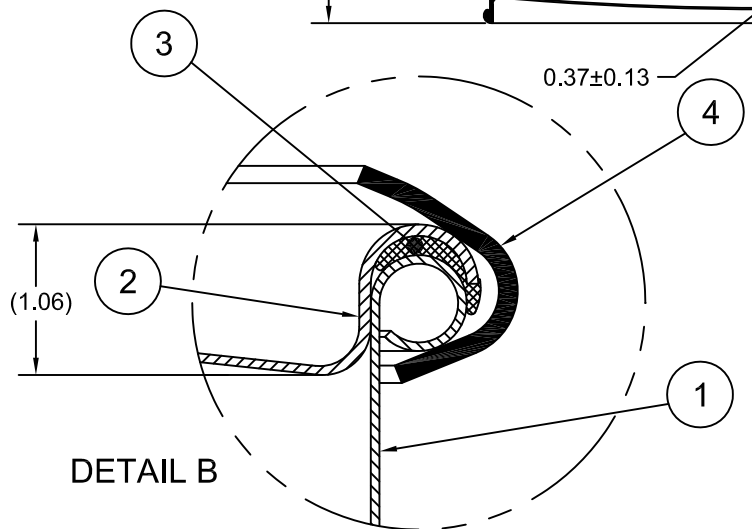
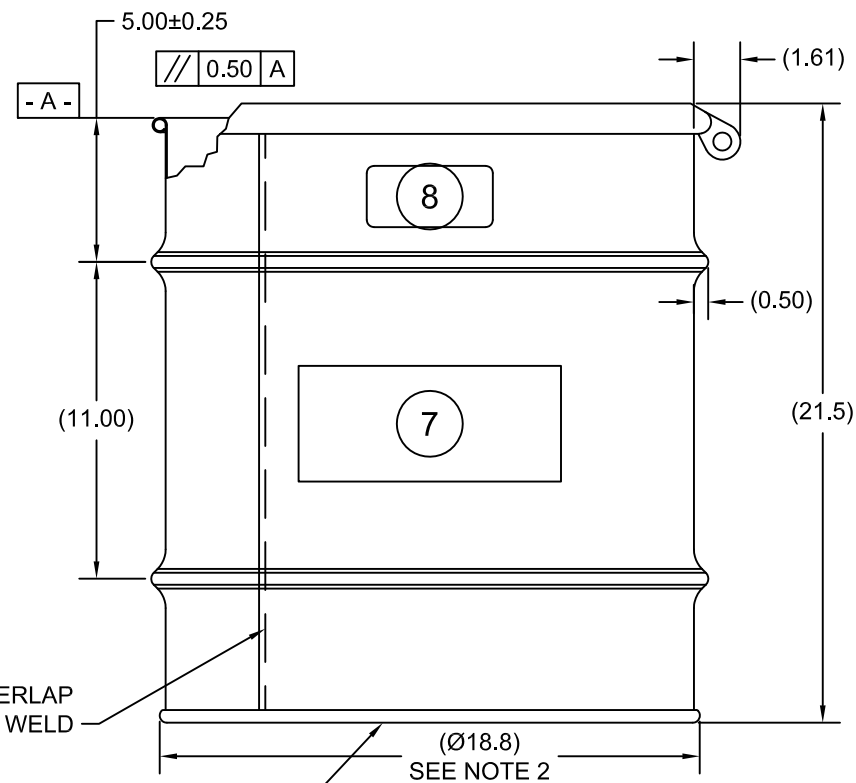
1. THIS DIMENSION REPRESENTS DRUM AFTER BEING PROPERLY ASSEMBLED AND CLOSED PER SKOLNIK CLOSING INSTRUCTIONS
2. TO DETERMINE GREATER ACCURACY OF ANY DIAMETRIC DIMENSION, MEASURING OF CIRCUMFERENCE IS REQUIRED
3. CONSTRUCTION per 49 CFR § 178.504 (b)

MATERIAL:

1. CRCQ CARBON STEEL PER ASTM A1008 AND ASTM A568
2. MATERIAL THICKNESS: 1.2mm (0.0433 - 0.0480, 18 GAUGE)
3. GASKET MAT'L PER ASTM D1056

FINISH:

1. DRUM EXTERIOR COVER PAINTED RED (LQ10017)
2. BODY/BOTTOM PAINTED YELLOW (LQ10024)



ITEM	ITEM	DESCRIPTION	QTY
8		UN DURABLE LABEL	1
7	LS1000	LOGO SALVAGE DRUM	1
6	NT5800	5/8-11UNC HEX JAM NUT	1
5	BT5840	5/8-11UNC X 4 LONG HEX HEAD BOLT	1
4	RBH1812	BOLT RING (HP) 20-30G 12GA 5/8 LUG	1
3	GE2000	GASKET IN-COVER D EPDM	1
2	P1812	COVER 18.25 ID	1
1		BODY/BOTTOM 20 GALLON DRUM 18.25 ID	1

UN NUMBER EMBOSSED ON BOTTOM OF DRUM
 1/2" CHARACTERS READING:
 UN/1A2/X220/S/YR
 UN/1A2/Y1.5/150/YR
 1.2 *
 (YR = YEAR OF MANUFACTURE)

TARE WEIGHT:
27 lbs

THE USE OF INFORMATION CONTAINED HEREIN IS RESTRICTED FOR THE BENEFIT OF SKOLNIK INDUSTRIES ONLY. UNAUTHORIZED USE OR DISCLOSURE, COPYING OR OTHERWISE REPRODUCING (IN ANY MANNER) ANY PORTION OF THIS DRAWING WITHOUT PRIOR WRITTEN PERMISSION OF AN AUTHORIZED OFFICIAL OF SKOLNIK INDUSTRIES IS STRICTLY PROHIBITED.

APPROVAL ON FILE

FILE CREATED IN AutoCAD

UNLESS STATED OTHERWISE

(DIMENSIONS IN PARENTHESIS ARE FOR REFERENCE ONLY!!!)
 ALL DIMENSIONS ARE IN INCHES
 DO NOT SCALE DRAWING
 TOLERANCES:
 FRACTIONS ±1/4
 X° ± 3°
 X.X ± 0.2
 X.XX ± 0.10
 X.XXX ± 0.030

SKOLNIK INDUSTRIES, INC.
 4900 SOUTH KILBOURN AVENUE, CHICAGO, IL 60632

DESCRIPTION
 20 GALLON OPEN HEAD DRUM
 1.2 - 1.2 - 1.2 CRCQ STEEL
 1A2/X220/S & 1A2/Y1.5/150

REL. DATE	PART NUM./FILENAME	REV
-	HM2001	A3