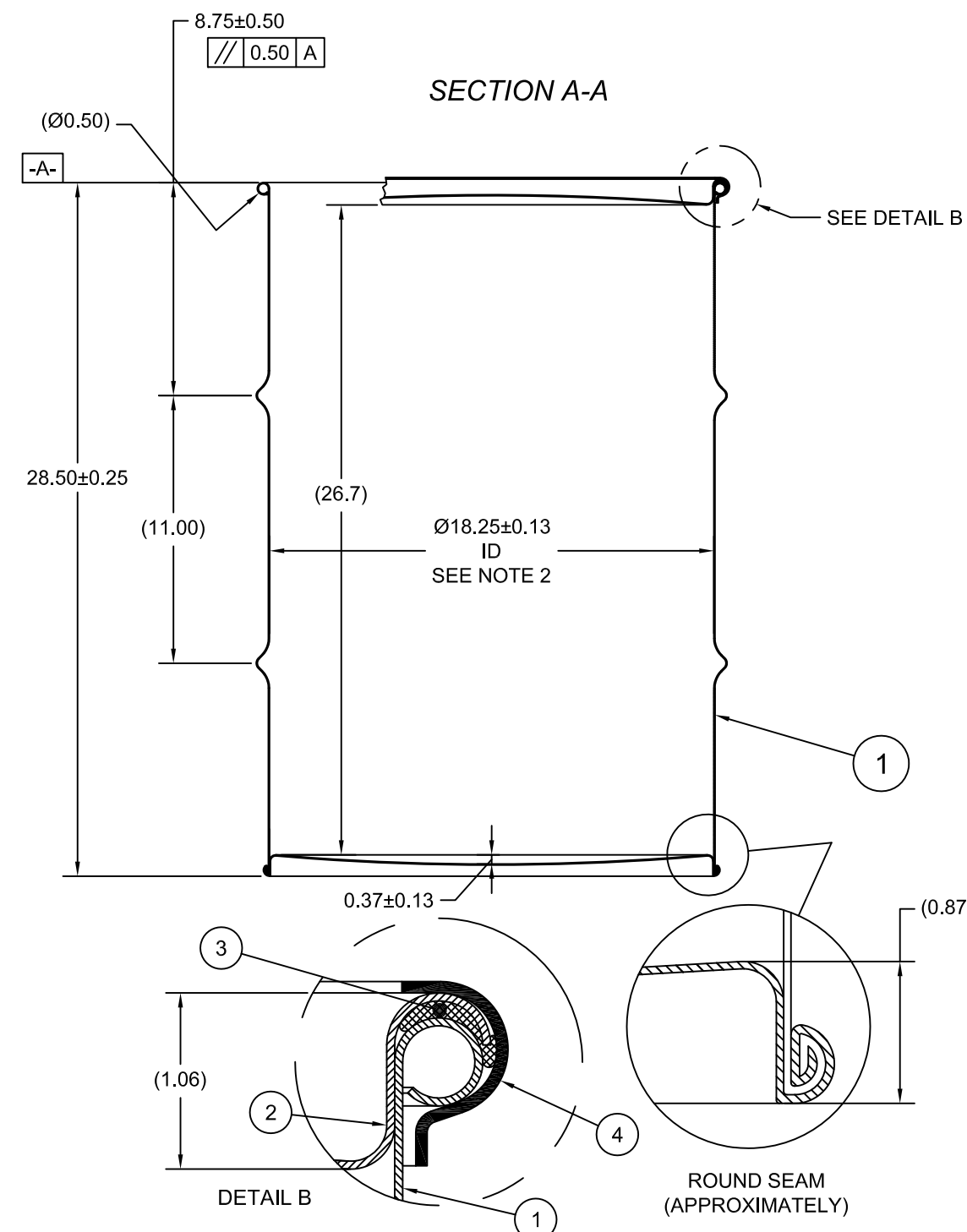
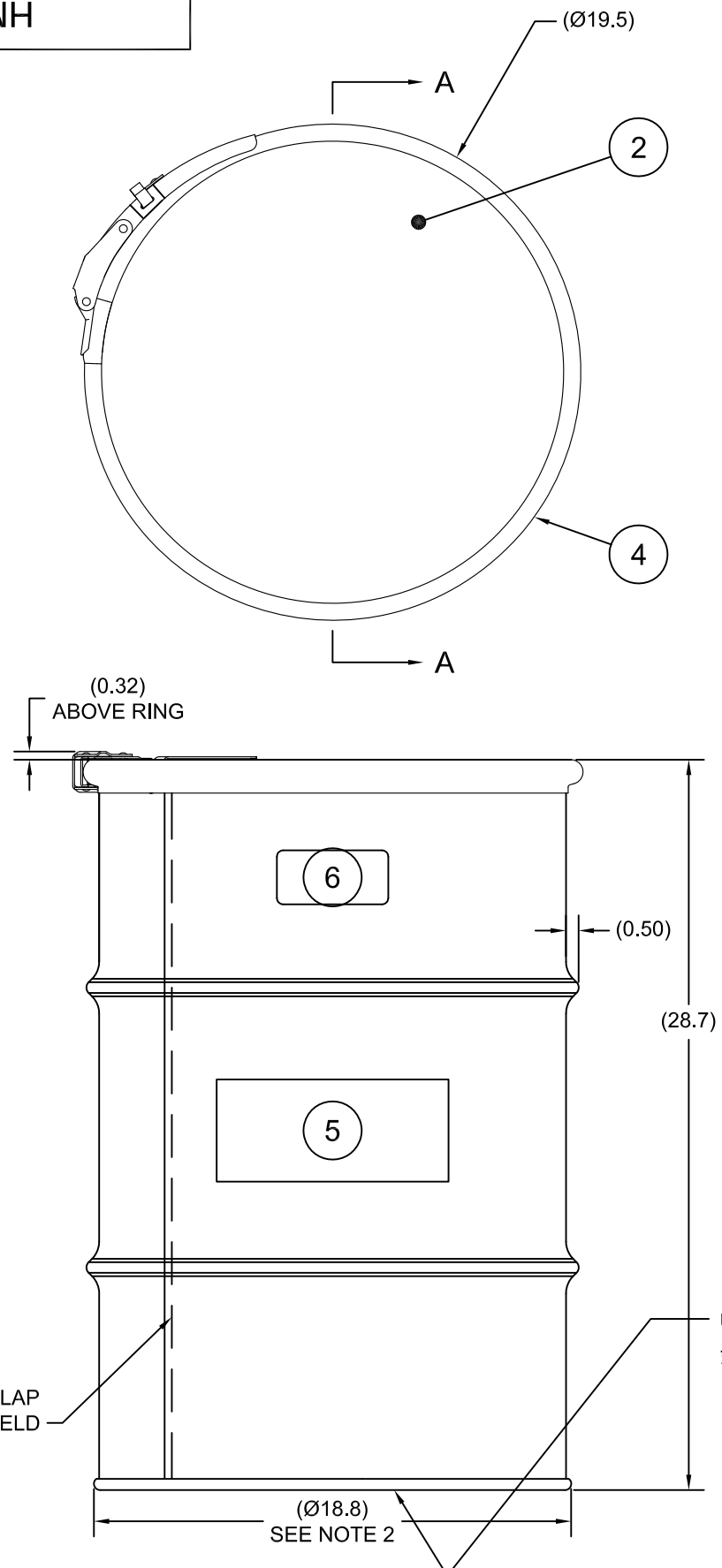


HM3001Q

ECN # or INIT	REV	DESCRIPTION	DATE
OE-005	A1	REDRAWN TO AutoCAD	06-FEB-2013
OE-001	A2	ADDED CURL DIMENSION	10-APR-2013
OE-001	A3	ADDED CHIME VIEW	29-APR-2013
OE-018	A4	WAS MULTI-LINGUAL SALVAGE LOGO	17-OCT-2016
17-001	A5	REMOVED LIQUID RATING	04-APR-2017



NOTES:

1. THESE DIMENSIONS REPRESENT DRUM AFTER BEING PROPERLY ASSEMBLED AND CLOSED PER SKOLNIK CLOSING INSTRUCTIONS
2. TO DETERMINE GREATER ACCURACY OF ANY DIAMETRIC DIMENSION, MEASURING OF CIRCUMFERENCE IS REQUIRED
3. CONSTRUCTION per 49 CFR §178.504 (b)

MATERIAL:

1. DRUM BODY AND COVER CRCQ CARBON STEEL PER ASTM A1008 AND ASTM A568
2. MATERIAL THICKNESS: COVER 1.5mm (0.0543 - 0.0590, 16 GAUGE), BODY/BOTTOM 1.2mm (0.0433 - 0.0480, 18 GAUGE)
3. GASKET MAT'L PER ASTM D1056

FINISH:

1. DRUM EXTERIOR COVER PAINTED RED (LQ10017)
BODY/BOTTOM PAINTED YELLOW (LQ10024)

ITEM	P/N	DESCRIPTION	QTY
6		UN DURABLE LABEL	1
5	LS1000	LOGO SALVAGE DRUM	1
4	RQ2013	20/30 GAL OUTSIDE LEVERLOCK RING	1
3	GE2000	GASKET EPDM IN-COVER D	1
2	P1815	COVER, Ø18.25 DRUM, CRCQ STEEL	1
1		30 GALLON DRUM BODY AND BOTTOM	1

UN NUMBER EMBOSSED ON BOTTOM OF DRUM
 1/2" CHARACTERS READING:
 UN/1A2/X235/S/YR
 1.5 - 1.2 - 1.2 *
 (YR = YEAR OF MANUFACTURE)

TARE WEIGHT:
35 lbs

UNLESS STATED OTHERWISE

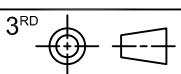
(DIMENSIONS IN PARENTHESIS ARE FOR REFERENCE ONLY!!!)

ALL DIMENSIONS ARE IN INCHES
DO NOT SCALE DRAWING

TOLERANCES:
 FRACTIONS ±1/4
 X° ± 3°
 X.X ± 0.2
 X.XX ± 0.10
 X.XXX ± 0.030

APPROVAL ON FILE

FILE CREATED IN AutoCAD



SKOLNIK INDUSTRIES, INC.
 4900 SOUTH KILBOURN AVENUE, CHICAGO, IL 60632

DESCRIPTION
 30 GALLON OPEN HEAD DRUM
 1.5 - 1.2 - 1.2 CRCQ
 1A2/X235/S

REL. DATE	PART NUM. / FILENAME	REV
-	HM3001Q	A5

THE USE OF INFORMATION CONTAINED HEREIN IS RESTRICTED FOR THE BENEFIT OF SKOLNIK INDUSTRIES ONLY. UNAUTHORIZED USE OR DISCLOSURE, COPYING OR OTHERWISE REPRODUCING (IN ANY MANNER) ANY PORTION OF THIS DRAWING WITHOUT PRIOR WRITTEN PERMISSION OF AN AUTHORIZED OFFICIAL OF SKOLNIK INDUSTRIES IS STRICTLY PROHIBITED.