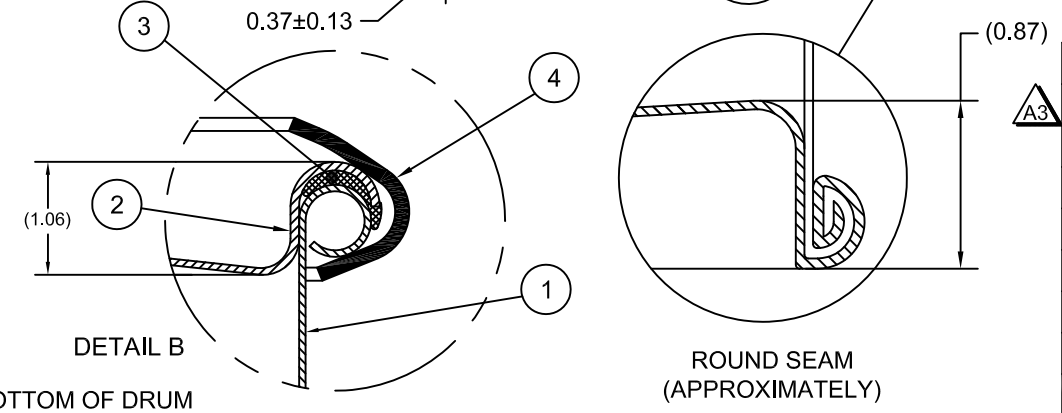
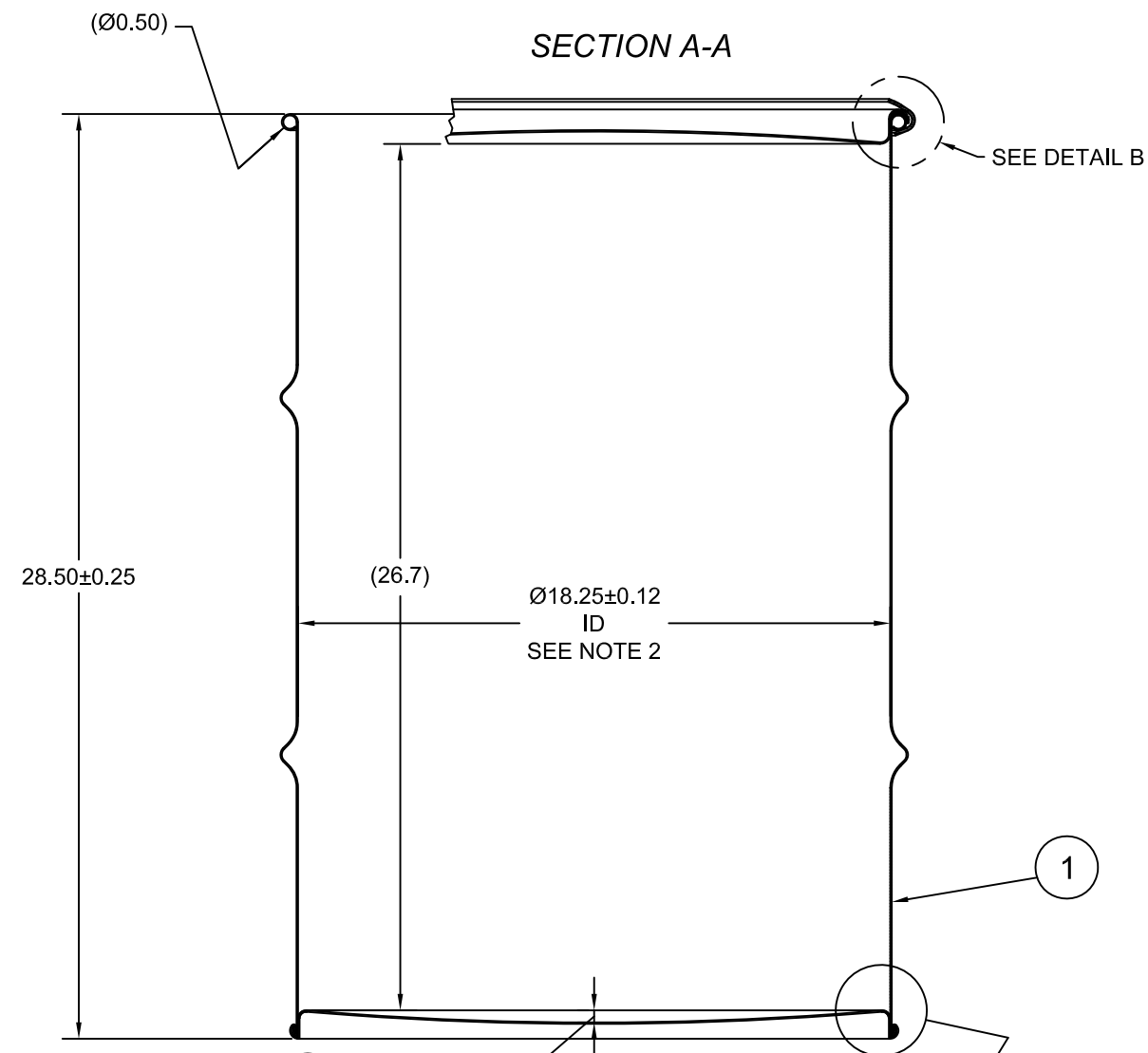
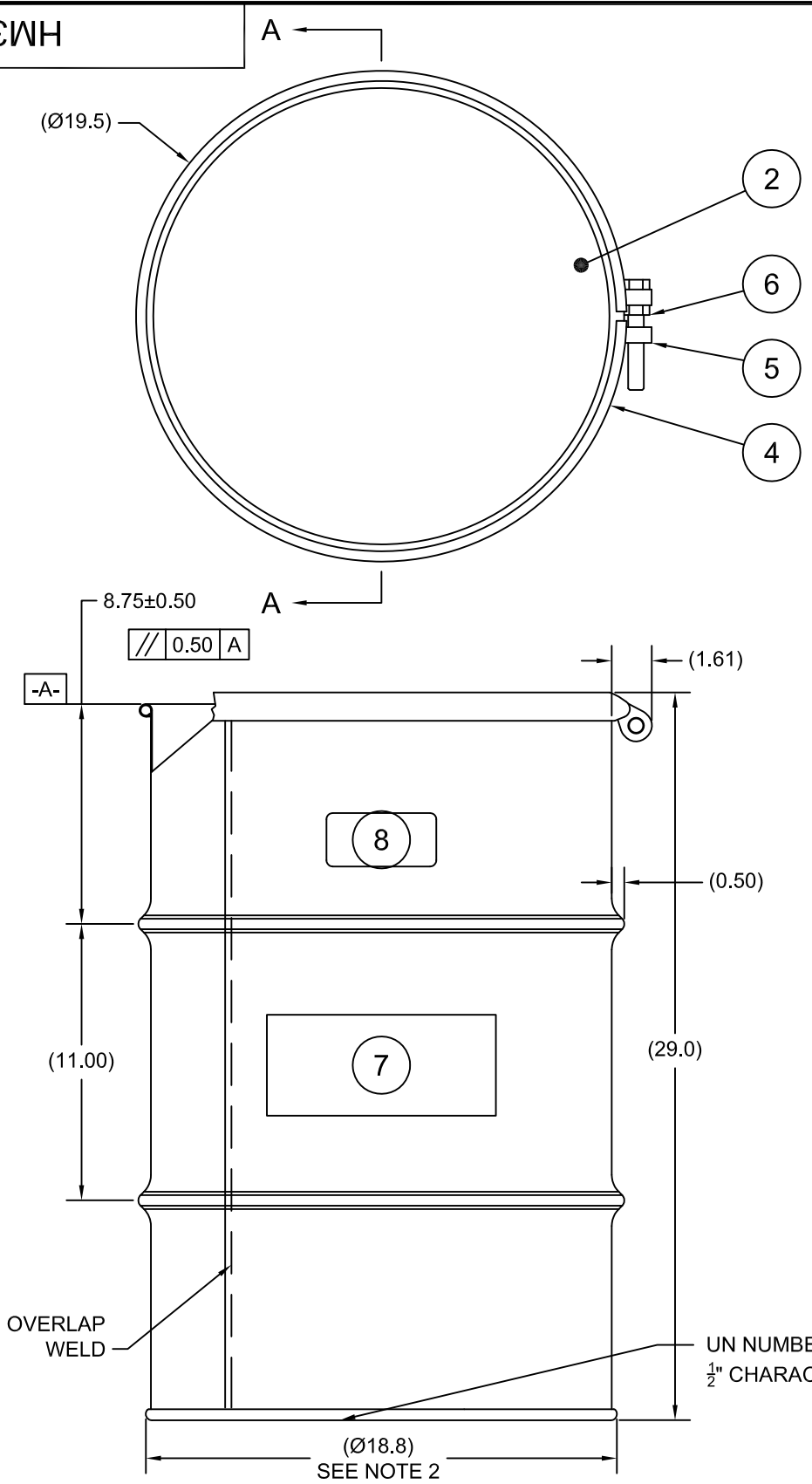


1003WH

ECN # or INIT	REV	DESCRIPTION	DATE
OE-005	A1	REDRAWN TO AutoCAD	06-FEB-2013
OE-001	A2	ADDED CHIME VIEW	29-APR-2013
OE-018	A3	WAS MULTI-LINGUAL SALVAGE LOGO	17-OCT-2016



NOTES:

1. THESE DIMENSIONS REPRESENT DRUM AFTER BEING PROPERLY ASSEMBLED AND CLOSED PER SKOLNIK CLOSING INSTRUCTIONS
2. TO DETERMINE GREATER ACCURACY OF ANY DIAMETRIC DIMENSION, MEASURING OF CIRCUMFERENCE IS REQUIRED
3. CONSTRUCTION per 49 CFR §178.504 (b)

MATERIAL:

1. DRUM BODY AND COVER CRCQ CARBON STEEL PER ASTM A1008 AND ASTM A568
2. MATERIAL THICKNESS: COVER - 1.5mm (0.0543 - 0.0590, 16 GAUGE) BODY/BOTTOM - 1.2mm (0.0433 - 0.0480, 18 GAUGE)
3. GASKET MAT'L PER ASTM D1056

FINISH:

1. DRUM BODY/BOTTOM EXTERIOR PAINTED YELLOW (LQ10024) COVER EXTERIOR PAINTED RED (LQ10017)

ITEM	P/N	DESCRIPTION	QTY
8		UN DURABLE LABEL	1
7	LS1000	LOGO SALVAGE DRUM	1
6	NT5800	5/8-11UNC HEX JAM NUT	1
5	BT5840	5/8-11UNC X 4in LONG HEX HEAD BOLT	1
4	RBH1812	BOLT RING 20-30G 12 GA 5/8 LUG	1
3	GE2000	GASKET EPDM IN-COVER 'D' BLACK	1
2	P1815	COVER, Ø18.25 DRUM, CRCQ STEEL	1
1		30 GALLON DRUM BODY AND BOTTOM	1

UN NUMBER EMBOSSED ON BOTTOM OF DRUM
 $\frac{1}{2}$ " CHARACTERS READING:

UN/1A2/X235/S/YR
 UN/1A2/Y1.5/150/YR
 1.5 - 1.2 - 1.2 *

(YR = YEAR OF MANUFACTURE)

TARE WEIGHT:
 35 lbs

UNLESS STATED OTHERWISE

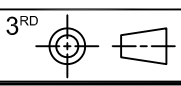
(DIMENSIONS IN PARENTHESIS ARE FOR REFERENCE ONLY!!!)

ALL DIMENSIONS ARE IN INCHES
 DO NOT SCALE DRAWING

TOLERANCES:
 FRACTIONS $\pm 1/4$
 $X^\circ \pm 3^\circ$
 $XX \pm 0.2$
 $XXX \pm 0.10$
 $XXX \pm 0.030$

APPROVAL ON FILE

FILE CREATED IN
 AutoCAD



SKOLNIK INDUSTRIES, INC.
 4900 SOUTH KILBOURN AVENUE, CHICAGO, IL 60632

DESCRIPTION		
30 GALLON OPEN HEAD DRUM 1.5 - 1.2 - 1.2 CRCQ 1A2/X235/S & 1A2/Y1.5/150		
REL. DATE	PART NUM. / FILENAME	REV
-	HM3001	A3

THE USE OF INFORMATION CONTAINED HEREIN IS RESTRICTED FOR THE BENEFIT OF SKOLNIK INDUSTRIES ONLY. UNAUTHORIZED USE OR DISCLOSURE, COPYING OR OTHERWISE REPRODUCING (IN ANY MANNER) ANY PORTION OF THIS DRAWING WITHOUT PRIOR WRITTEN PERMISSION OF AN AUTHORIZED OFFICIAL OF SKOLNIK INDUSTRIES IS STRICTLY PROHIBITED.