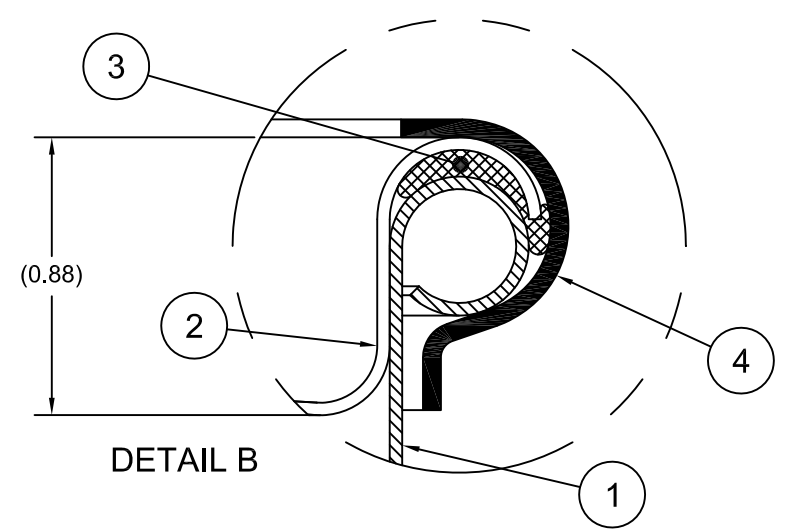
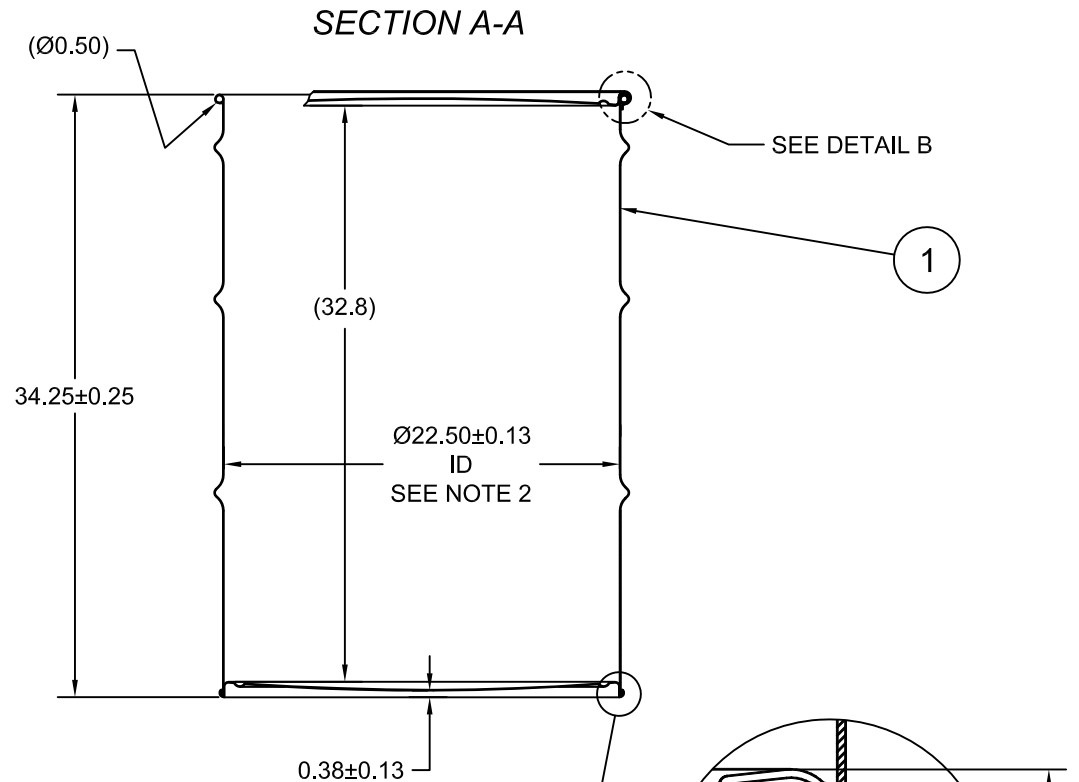
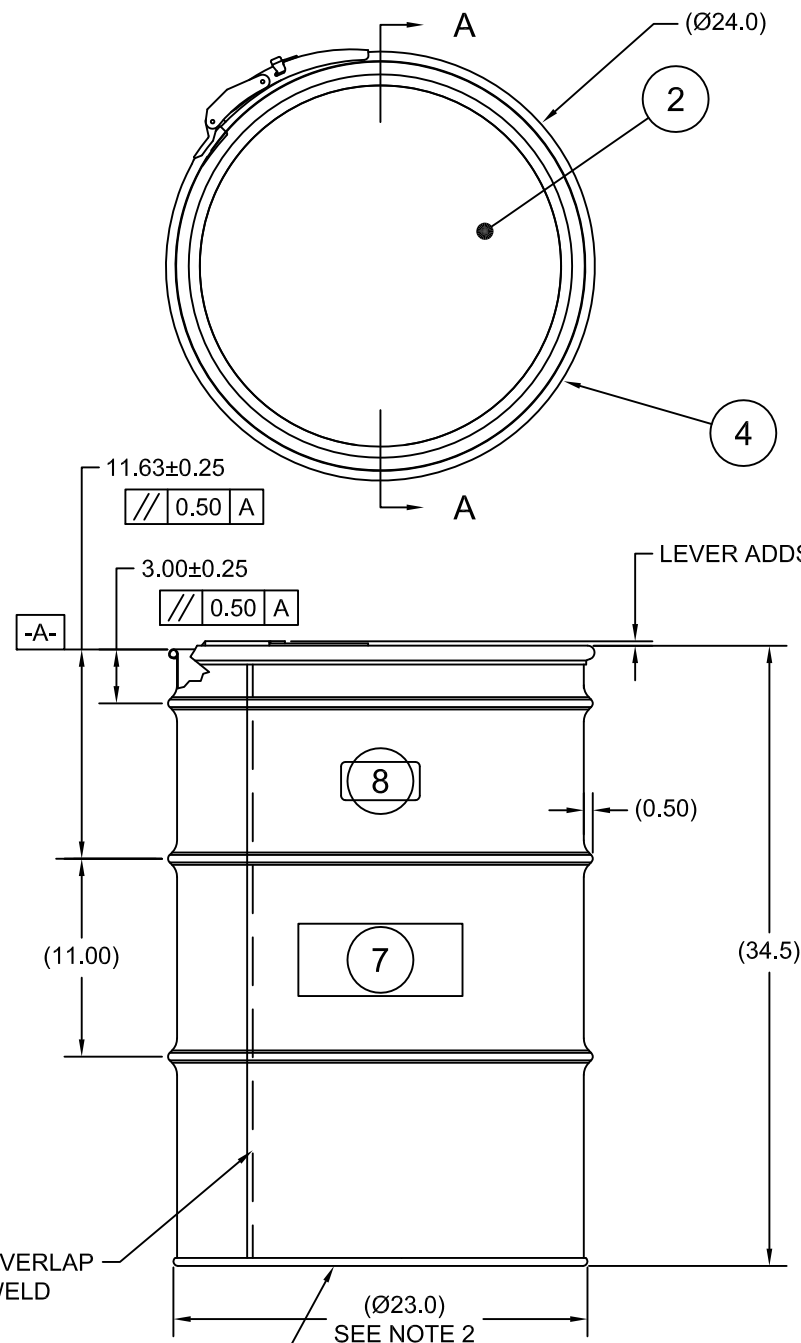


ECN # or INIT	REV	DESCRIPTION	DATE
OE-005	A1	REDRAWN TO AutoCAD	15-FEB-2013
OE-001	A2	CLERICAL ERROR	10-APR-2013
OE-001	A3	ADDED HOOP HEIGHT	24-APR-2013
OE-018	A4	WAS MULTI-LINGUAL SALVAGE LOGO	18-OCT-2016
17-001	A5	REMOVED LIQUID RATING	06-APR-2017



**NOTES:**

1. THESE DIMENSIONS REPRESENT DRUM AFTER BEING PROPERLY ASSEMBLED AND CLOSED PER SKOLNIK CLOSING INSTRUCTIONS
2. TO DETERMINE GREATER ACCURACY OF ANY DIAMETRIC DIMENSION, MEASURING OF CIRCUMFERENCE IS REQUIRED
3. CONSTRUCTION per 49 CFR § 178.504 (b)

**MATERIAL:**

1. DRUM BODY AND COVER CRCQ CARBON STEEL PER ASTM A1008 AND ASTM A568
2. MATERIAL THICKNESS: COVER 1.5mm (0.0543 - 0.0590;16 GAUGE), BODY/BOTTOM 1.2mm (0.0433 - 0.0480;18 GAUGE)
3. GASKET MAT'L PER ASTM D1056

**FINISH:**

1. DRUM BODY EXTERIOR PAINTED YELLOW (LQ10024)  
COVER EXTERIOR PAINTED RED (LQ10017)

ITEM	P/N	DESCRIPTION	QTY
8		UN DURABLE LABEL	1
7	LS1000	LOGO SALVAGE DRUM	1
4	RQ5513	55 GALLON QUICK LEVERLOCK RING	1
3	GE5500	GASKET IN-COVER D EPDM	1
2	P2215	COVER 22.5 ID	1
1		BODY/BOTTOM 55 GALLON DRUM 22.5 ID	1

UN NUMBER EMBOSSED ON BOTTOM OF DRUM  
1/2" CHARACTERS READING:  
UN/1A2/X400/S/YR

1.5 - 1.2 - 1.2 \*

(YR = YEAR OF MANUFACTURE)

TARE WEIGHT:  
50 lbs

**UNLESS STATED OTHERWISE**

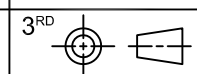
(DIMENSIONS IN PARENTHESIS ARE FOR REFERENCE ONLY!!!)

ALL DIMENSIONS ARE IN INCHES  
DO NOT SCALE DRAWING

TOLERANCES:  
FRACTIONS ±1/4  
X° ± 3°  
X.X ± 0.2  
X.XX ± 0.10  
X.XXX ± 0.030

**APPROVAL ON FILE**

FILE CREATED IN AutoCAD



**SKOLNIK INDUSTRIES, INC.**  
4900 SOUTH KILBOURN AVENUE, CHICAGO, IL 60632

DESCRIPTION  
55 GALLON OPEN HEAD DRUM  
1.5 - 1.2 - 1.2 CRCQ  
1A2/X400/S

REL. DATE	PART NUM. / FILENAME	REV
-	HM5502Q	A5

THE USE OF INFORMATION CONTAINED HEREIN IS RESTRICTED FOR THE BENEFIT OF SKOLNIK INDUSTRIES ONLY. UNAUTHORIZED USE OR DISCLOSURE, COPYING OR OTHERWISE REPRODUCING (IN ANY MANNER) ANY PORTION OF THIS DRAWING WITHOUT PRIOR WRITTEN PERMISSION OF AN AUTHORIZED OFFICIAL OF SKOLNIK INDUSTRIES IS STRICTLY PROHIBITED.