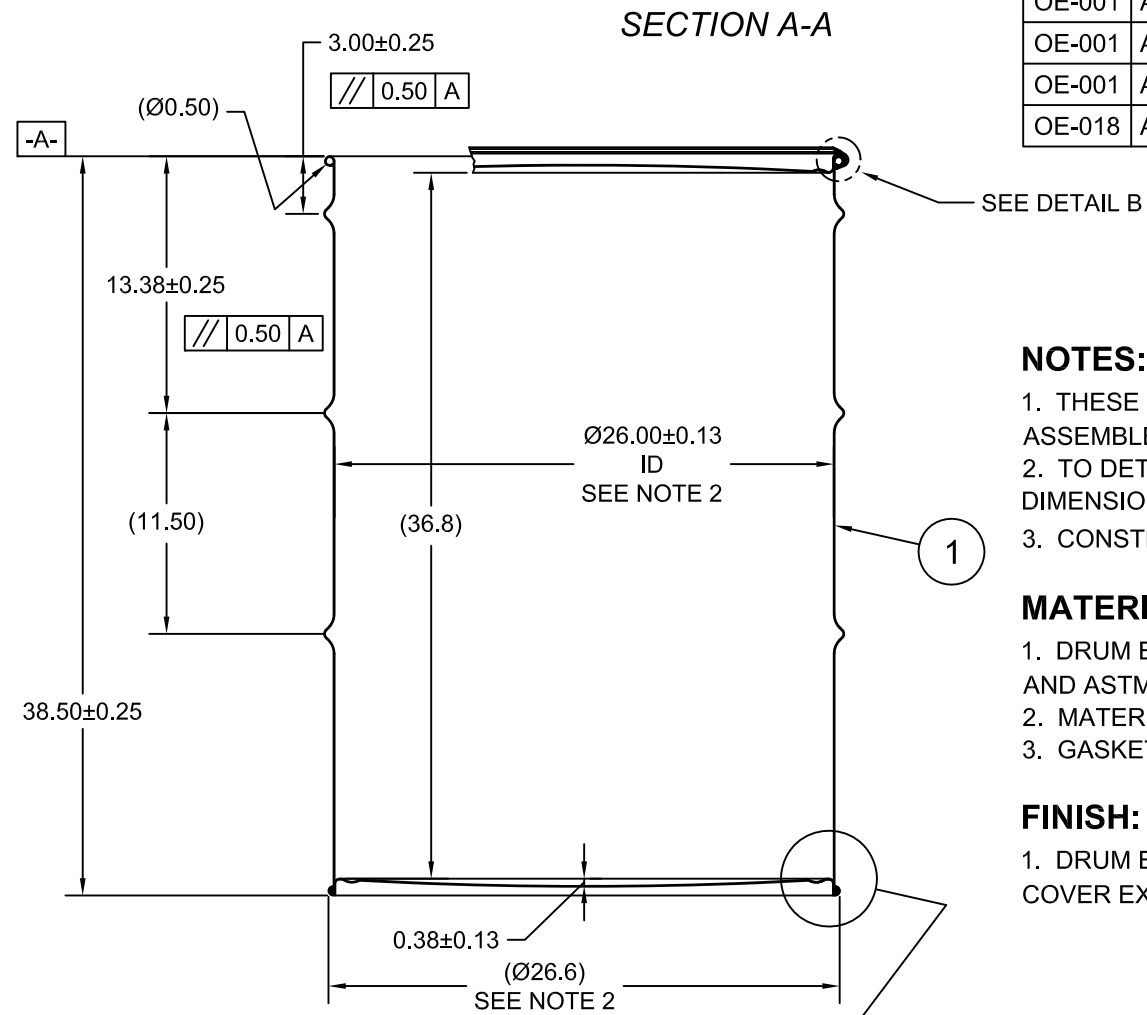
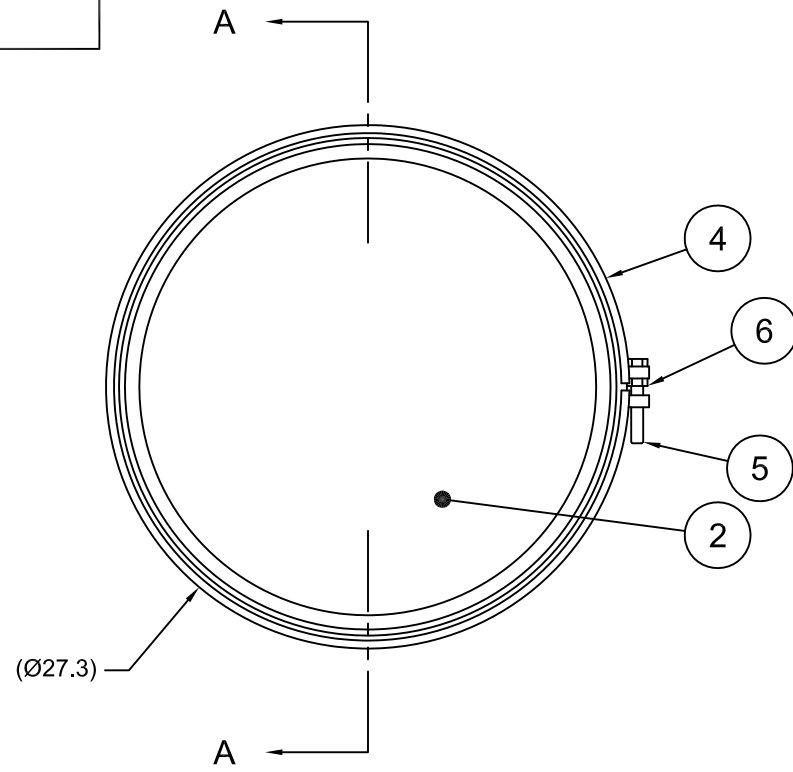


1058WH

ECN # or INIT	REV	DESCRIPTION	DATE
	A	RELEASED	07-FEB-2008
OE-001	A1	CORRECTED NOTES, VIEWS, ETC.	04-JUN-2012
OE-001	A2	CORRECTED MARKING	07-MAR-2013
OE-001	A3	CLERICAL ERROR	16-MAY-2013
OE-018	A4	WAS MULTI-LINGUAL SALVAGE LOGO	20-OCT-2016



NOTES:

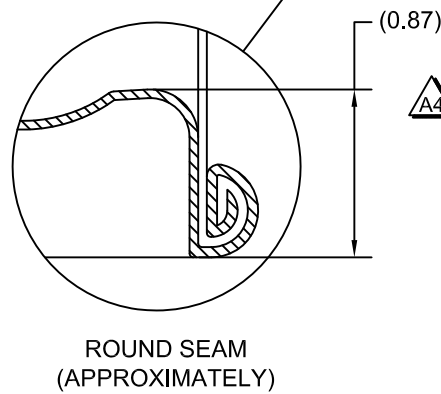
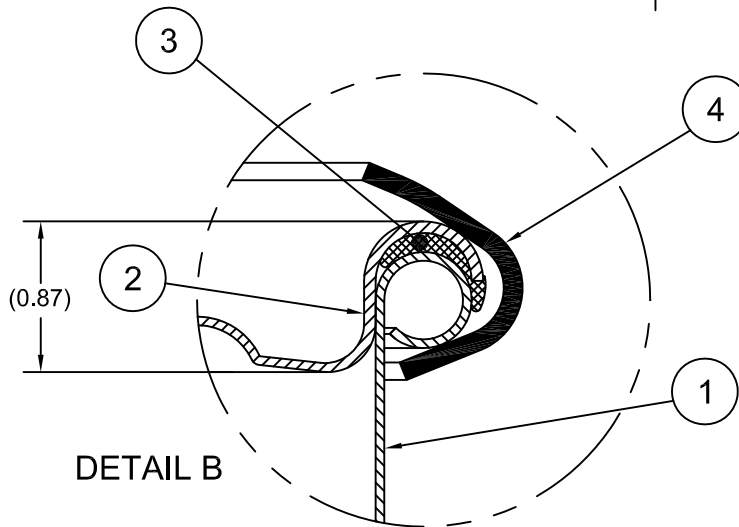
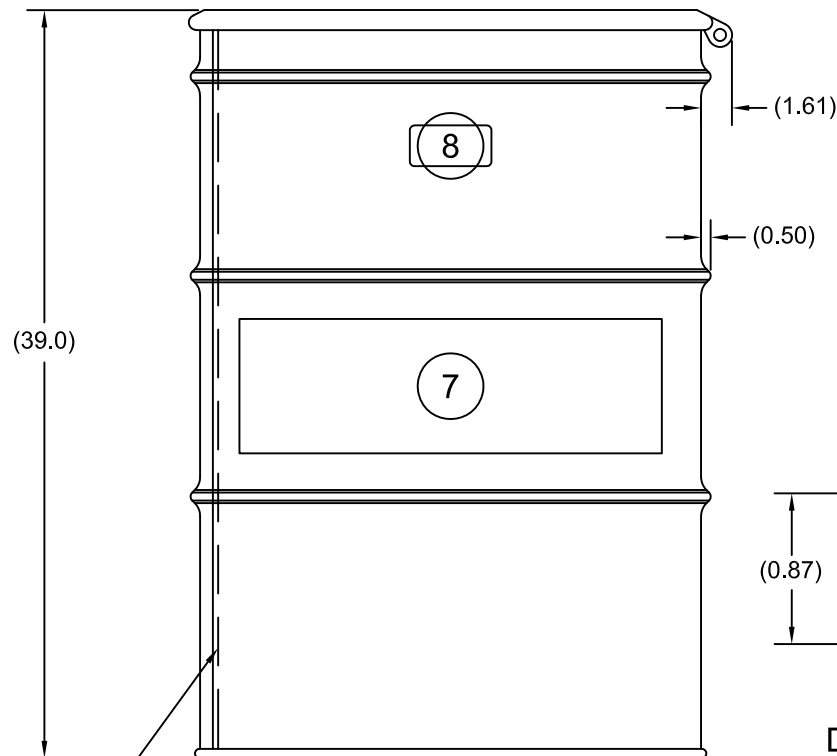
1. THESE DIMENSIONS REPRESENT DRUM AFTER BEING PROPERLY ASSEMBLED AND CLOSED PER SKOLNIK CLOSING INSTRUCTIONS
2. TO DETERMINE GREATER ACCURACY OF ANY DIAMETRIC DIMENSION, MEASURING OF CIRCUMFERENCE IS REQUIRED
3. CONSTRUCTION per 49 CFR § 178.504 (b)

MATERIAL:

1. DRUM BODY AND COVER CRCQ CARBON STEEL PER ASTM A1008 AND ASTM A568
2. MATERIAL THICKNESS 1.5mm (0.0543 - 0.0590; 16 GAUGE).
3. GASKET MAT'L PER ASTM D1056.

FINISH:

1. DRUM BODY/BOTTOM EXTERIOR PAINTED YELLOW (LQ10024)
COVER EXTERIOR PAINTED RED (LQ10017)



ITEM	P/N	DESCRIPTION	QTY
8		UN DURABLE LABEL	1
7	LS1000	LOGO SALVAGE DRUM	1
6	NT5800	5/8-11UNC HEX JAM NUT	1
5	BT5840	5/8-11UNC X 4in LONG HEX HEAD BOLT	1
4	RBH2612	BOLT RING (HP) 79-96G 12 GA 5/8 LUG	1
3	GE8500	GASKET EPDM IN-COVER D	1
2	P2615	COVER Ø26 ID CRCQ STEEL	1
1		BODY/BOTTOM 85 GALLON DRUM Ø26 ID	1

OVERLAP WELD

UN NUMBER EMBOSSED ON BOTTOM OF DRUM
 ½" CHARACTERS READING:
 UN/1A2/X440/S/YR
 UN/1A2T/Y320/S/YR
 1.5 *
 (YR = YEAR OF MANUFACTURE)

TARE WEIGHT:
82 lbs

THE USE OF INFORMATION CONTAINED HEREIN IS RESTRICTED FOR THE BENEFIT OF SKOLNIK INDUSTRIES ONLY. UNAUTHORIZED USE OR DISCLOSURE, COPYING OR OTHERWISE REPRODUCING (IN ANY MANNER) ANY PORTION OF THIS DRAWING WITHOUT PRIOR WRITTEN PERMISSION OF AN AUTHORIZED OFFICIAL OF SKOLNIK INDUSTRIES IS STRICTLY PROHIBITED.

APPROVAL ON FILE

FILE CREATED IN
AutoCAD

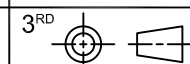
UNLESS STATED OTHERWISE

(DIMENSIONS IN PARENTHESIS ARE FOR REFERENCE ONLY!!!)

ALL DIMENSIONS ARE IN INCHES
DO NOT SCALE DRAWING

TOLERANCES:
FRACTIONS ±1/4

X° ± 3°
X.X ± 0.2
X.XX ± 0.10
X.XXX ± 0.030



SKOLNIK INDUSTRIES, INC.
4900 SOUTH KILBOURN AVENUE, CHICAGO, IL 60632

DESCRIPTION
85 GALLON OPEN HEAD DRUM
1.5 - 1.5 - 1.5 CRCQ
1A2/X440/S & 1A2T/Y320/S

REL. DATE
07-FEB-2008

PART NUM. / FILENAME
HM8501

REV
A4