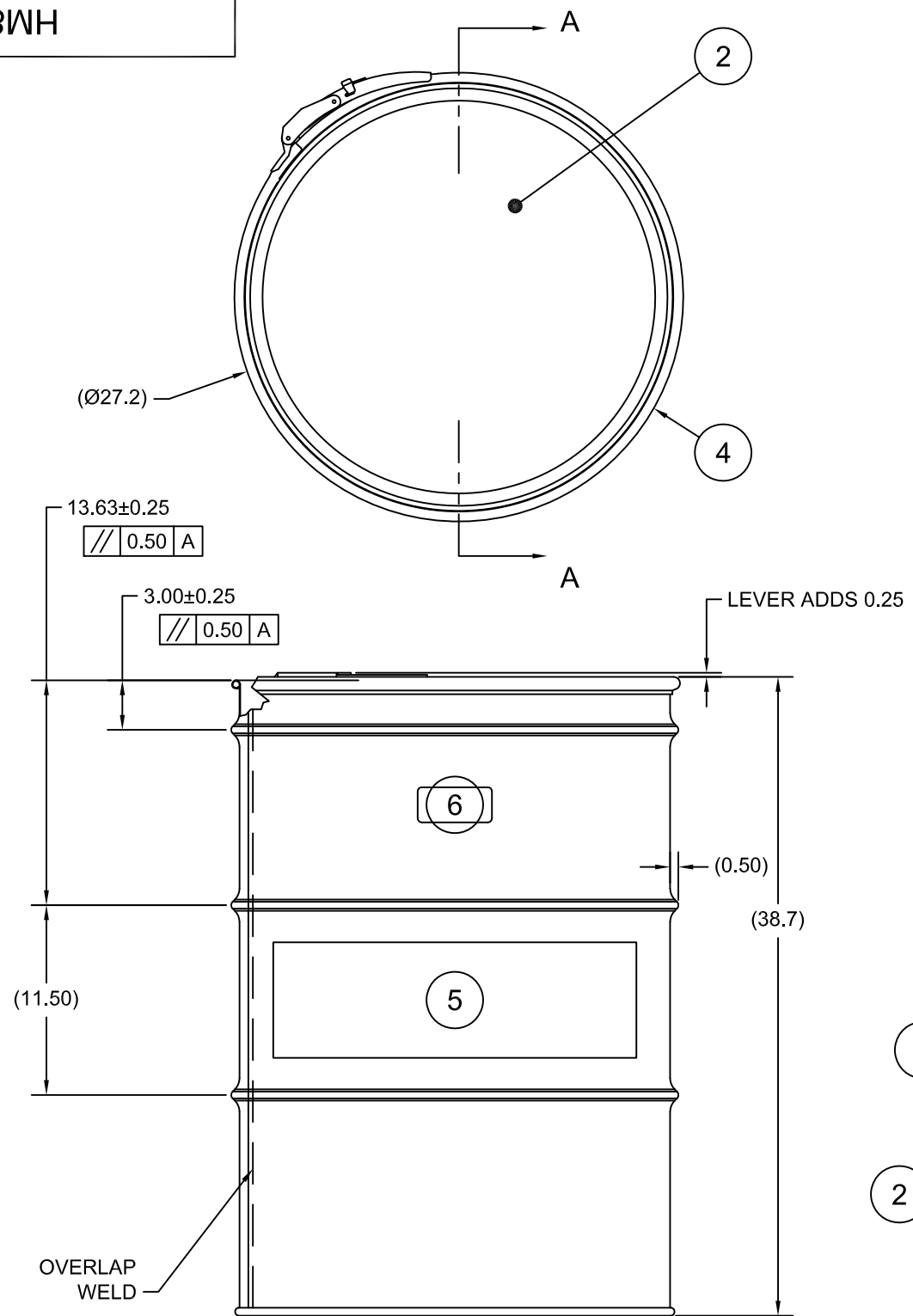
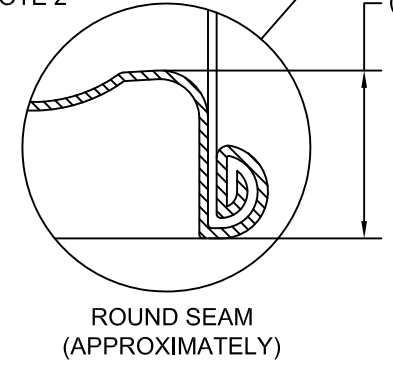
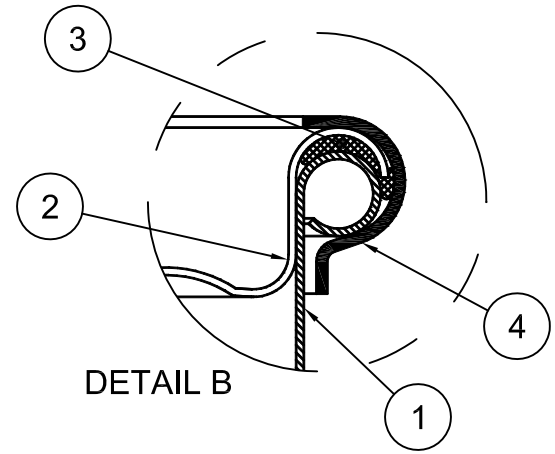
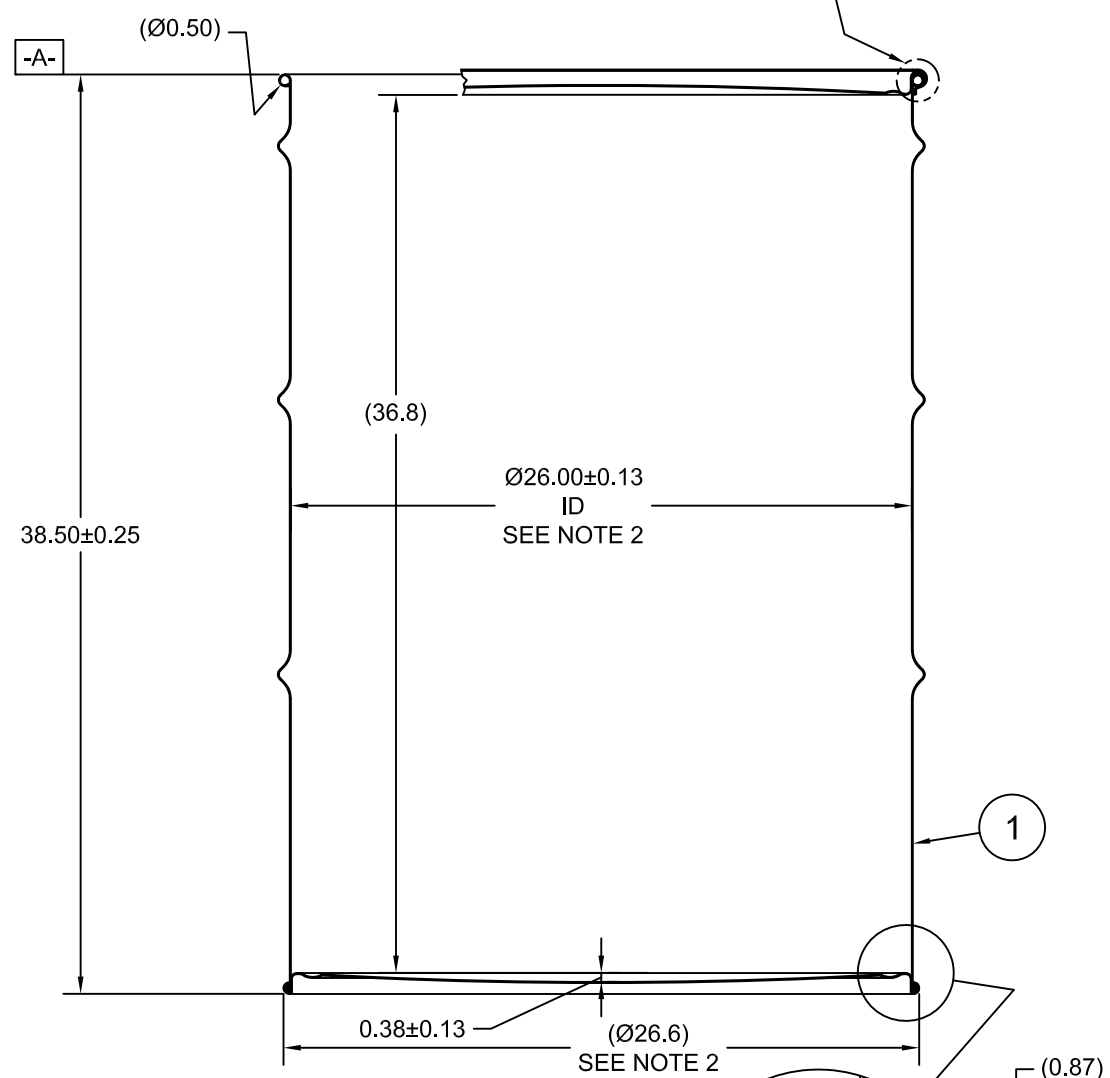


HM8518Q



UN NUMBER EMBOSSED ON BOTTOM OF DRUM  
 IN 1/2" CHARACTERS  
 UN/1A2/X440/S/YR  
 UN/1A2T/Y320/S  
 1.2 \*  
 (YR = YEAR OF MANUFACTURE)

SECTION A-A



TARE WEIGHT:  
63 lbs

ECN # or INIT	REV	DESCRIPTION	DATE
	A	RELEASE	01-JUN-2004
		ADD'D FITTING NOTE	
LJT	A1	CHG'D NOTES, MADE BORDER & TOL STD	25-JAN-2007
OE-001	A2	CLERICAL ERROR	08-APR-2013
OE-001	A3	ADDED CHIME PROFILE	24-APR-2013
OE-018	A4	WAS MULTI-LINGUAL SALVAGE LOGO	20-OCT-2016

NOTES:

1. THESE DIMENSIONS REPRESENT DRUM AFTER BEING PROPERLY ASSEMBLED AND CLOSED PER SKOLNIK CLOSING INSTRUCTIONS
2. TO DETERMINE GREATER ACCURACY OF ANY DIAMETRIC DIMENSION, MEASURING OF CIRCUMFERENCE IS REQUIRED
3. CONSTRUCTION per 49 CFR §178.504 (b)

MATERIAL:

1. DRUM BODY AND COVER CRCQ CARBON STEEL PER ASTM A1008 AND ASTM A568
2. MATERIAL THICKNESS: COVER 1.2mm (0.0433 - 0.0480; 18 GAUGE)
3. GASKET MAT'L PER ASTM D1056.

FINISH:

1. DRUM EXTERIOR PAINTED YELLOW (LQ10024)

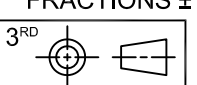
ITEM	P/N	DESCRIPTION	QTY
6		UN DURABLE LABEL	1
5	LS1000	LOGO SALVAGE DRUM	1
4	RQ8513	CLOSURE RING, QUICK LEVERLOCK	1
3	GE8500	GASKET EPDM IN-COVER D	1
2	P2612	COVER Ø26 ID, 18 GA	1
1		BODY/BOTTOM 85 GALLON DRUM Ø26 ID	1

UNLESS STATED OTHERWISE

(DIMENSIONS IN PARENTHESIS ARE FOR REFERENCE ONLY!!!)  
 ALL DIMENSIONS ARE IN INCHES  
 DO NOT SCALE DRAWING  
 TOLERANCES:  
 FRACTIONS ±1/4  
 X° ± 3°  
 X.X ± 0.2  
 X.XX ± 0.10  
 X.XXX ± 0.030

APPROVAL  
ON FILE

FILE CREATED IN  
AutoCAD



**SKOLNIK INDUSTRIES, INC.**  
 4900 SOUTH KILBOURN AVENUE, CHICAGO, IL 60632

DESCRIPTION  
 85 GALLON OPEN HEAD WITH LEVER LOCK  
 1.2 - 1.2 - 1.2 CRCQ  
 1A2/Y440/S & 1A2T/Y320/S

REL. DATE 07-JUN-2004	PART NUM. / FILENAME HM8518Q	REV A4
--------------------------	---------------------------------	-----------

THE USE OF INFORMATION CONTAINED HEREIN IS RESTRICTED FOR THE BENEFIT OF SKOLNIK INDUSTRIES ONLY. UNAUTHORIZED USE OR DISCLOSURE, COPYING OR OTHERWISE REPRODUCING (IN ANY MANNER) ANY PORTION OF THIS DRAWING WITHOUT PRIOR WRITTEN PERMISSION OF AN AUTHORIZED OFFICIAL OF SKOLNIK INDUSTRIES IS STRICTLY PROHIBITED.