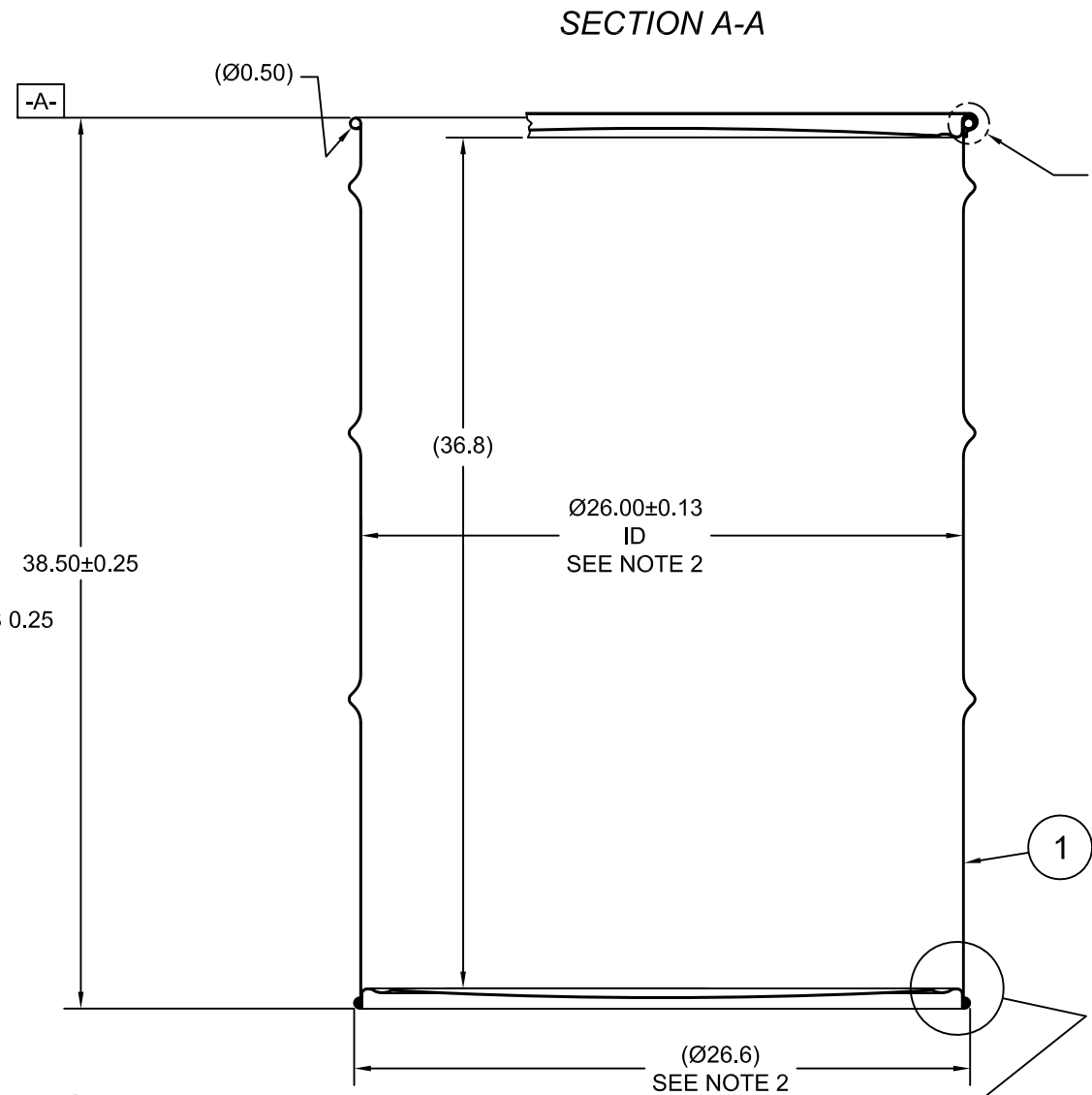
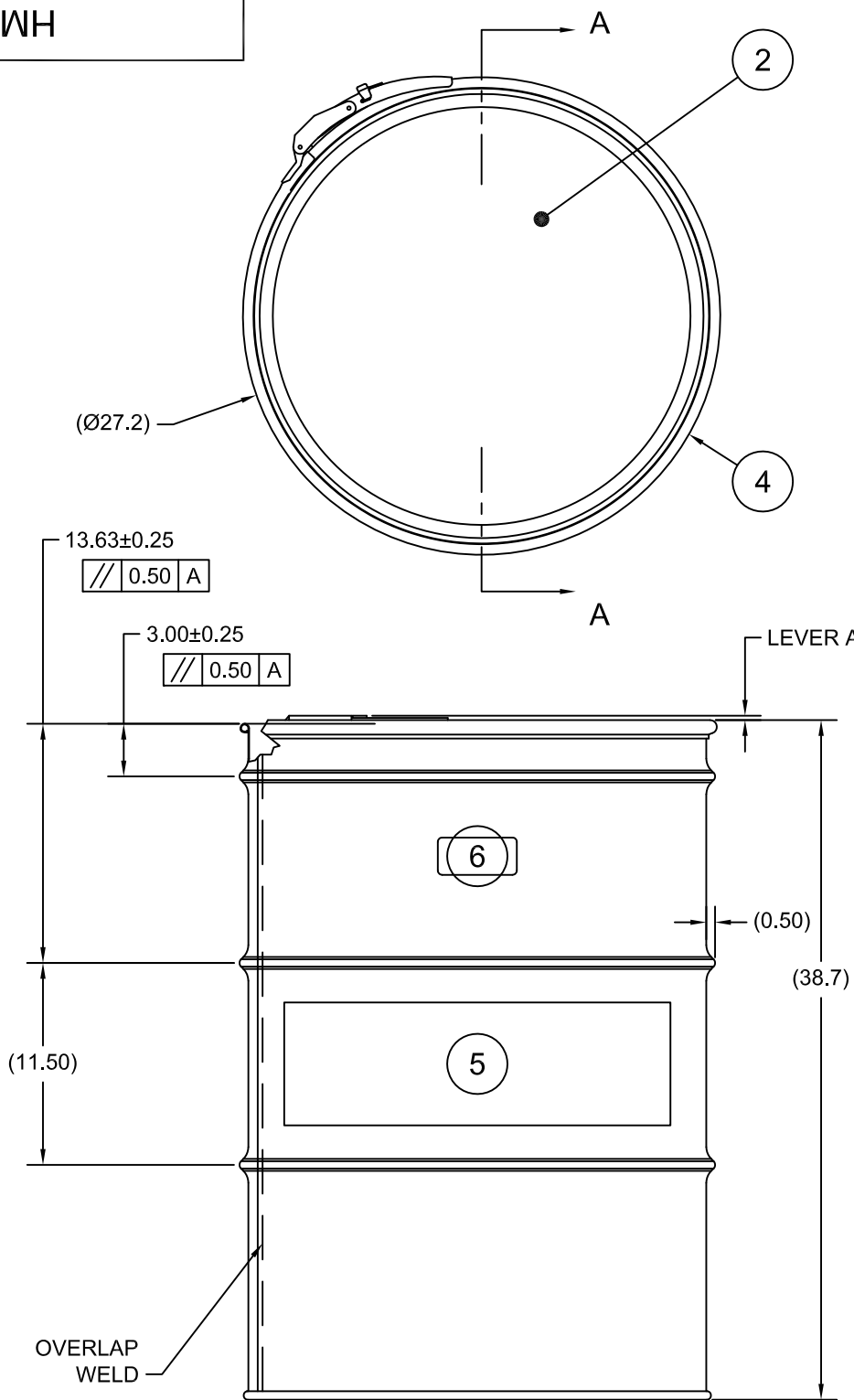


HM8520Q

ECN # or INIT	REV	DESCRIPTION	DATE
	A	RELEASE	16-JUL-2007
OE-001	A1	CLERICAL ERROR	08-APR-2013
OE-001	A2	CLERICAL ERROR	15-APR-2013
OE-018	A3	WAS MULTI-LINGUAL SALVAGE LOGO	21-OCT-2016



NOTES:

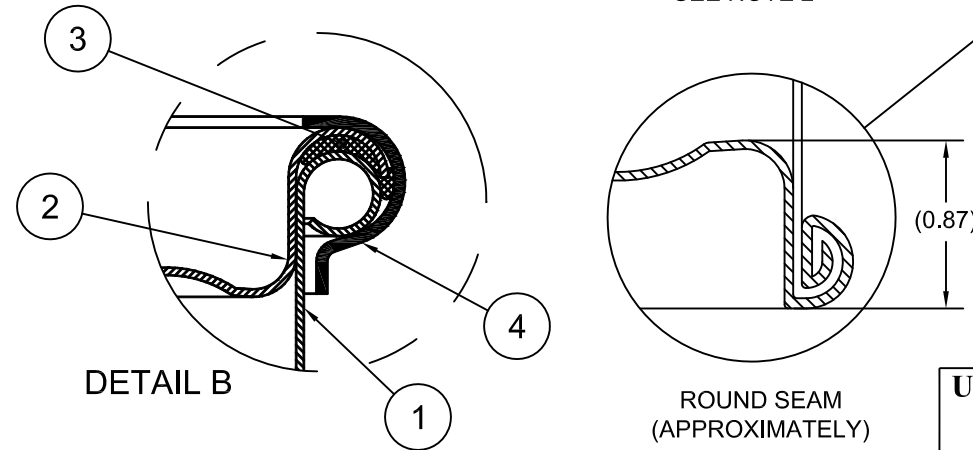
1. THESE DIMENSIONS REPRESENT DRUM AFTER BEING PROPERLY ASSEMBLED AND CLOSED PER SKOLNIK CLOSING INSTRUCTIONS
2. TO DETERMINE GREATER ACCURACY OF ANY DIAMETRIC DIMENSION, MEASURING OF CIRCUMFERENCE IS REQUIRED
3. CONSTRUCTION per 49 CFR §178.504 (b)

MATERIAL:

1. DRUM BODY AND COVER CRCQ CARBON STEEL PER ASTM A1008 AND ASTM A568
2. MATERIAL THICKNESS: COVER 1.2mm (0.0433 - 0.0480; 18 GAUGE) BODY/BOTTOM 0.9mm (0.0319 - 0.0370; 20 GAUGE)
3. GASKET MAT'L PER ASTM D1056.

FINISH:

1. BODY/BOTTOM EXTERIOR PAINTED GRAY #716 (LQ10011)
COVER EXTERIOR PAINTED RED (LQ10017)



ITEM	P/N	DESCRIPTION	QTY
6		UN DURABLE LABEL	1
5	LS1000	LOGO SALVAGE DRUM	1
4	RQ8513	CLOSURE RING, QUICK LEVERLOCK	1
3	GE8500	GASKET EPDM IN-COVER D	1
2	P2612	COVER Ø26 ID	1
1		BODY/BOTTOM 85 GALLON DRUM Ø26 ID	1

UN NUMBER EMBOSSED ON BOTTOM OF DRUM
IN 1/2" CHARACTERS
UN/1A2/Y440/S/YR

1.2 - 0.9 - 0.9 *
(YR = YEAR OF MANUFACTURE)

TARE WEIGHT:
50 lbs

THE USE OF INFORMATION CONTAINED HEREIN IS RESTRICTED FOR THE BENEFIT OF SKOLNIK INDUSTRIES ONLY. UNAUTHORIZED USE OR DISCLOSURE, COPYING OR OTHERWISE REPRODUCING (IN ANY MANNER) ANY PORTION OF THIS DRAWING WITHOUT PRIOR WRITTEN PERMISSION OF AN AUTHORIZED OFFICIAL OF SKOLNIK INDUSTRIES IS STRICTLY PROHIBITED.

**APPROVAL
ON FILE**

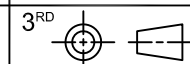
FILE CREATED IN
AutoCAD

UNLESS STATED OTHERWISE

(DIMENSIONS IN PARENTHESIS ARE FOR REFERENCE ONLY!!!)

ALL DIMENSIONS ARE IN INCHES
DO NOT SCALE DRAWING

TOLERANCES:
FRACTIONS ±1/4
X° ± 3°
X.X ± 0.2
X.XX ± 0.10
X.XXX ± 0.030



SKOLNIK INDUSTRIES, INC.
4900 SOUTH KILBOURN AVENUE, CHICAGO, IL 60632

DESCRIPTION
85 GALLON OPEN HEAD WITH LEVER LOCK
1.2 - 0.9 - 0.9 CRCQ
1A2/Y440/S SOLIDS ONLY

REL. DATE
16-JUL-2007

PART NUM. / FILENAME
HM8520Q

REV
A3