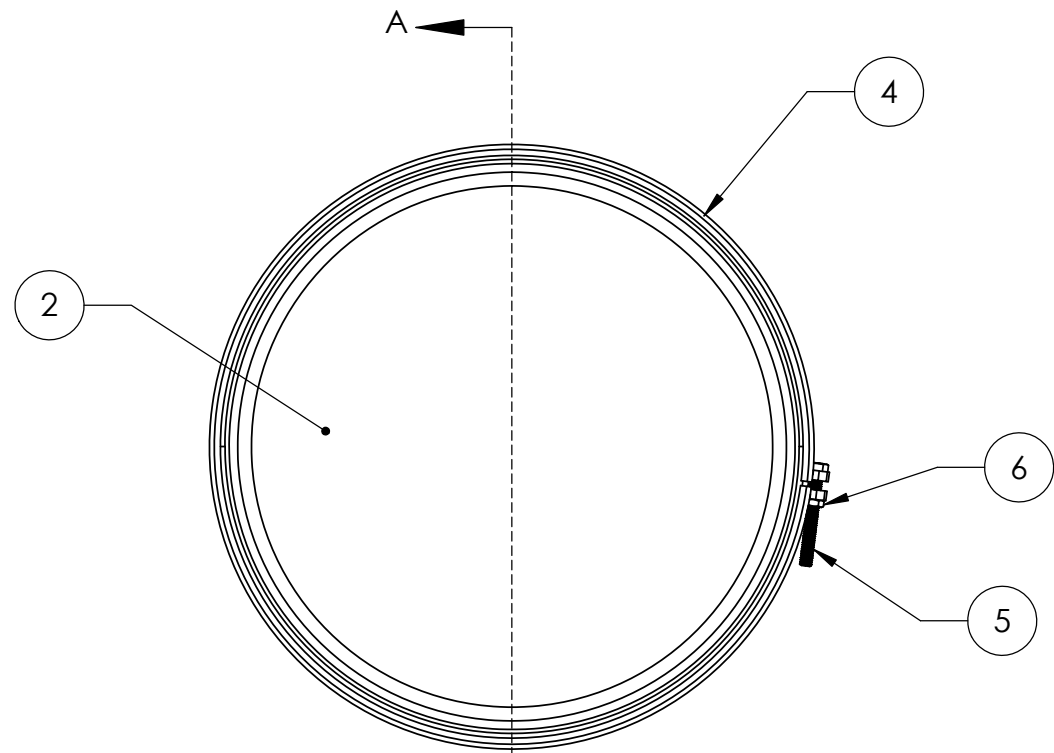


ECN # or INIT	REV	DESCRIPTION	DATE
	A	RELEASED	22-APR-2020



SCALE 1:8



**NOTES:**

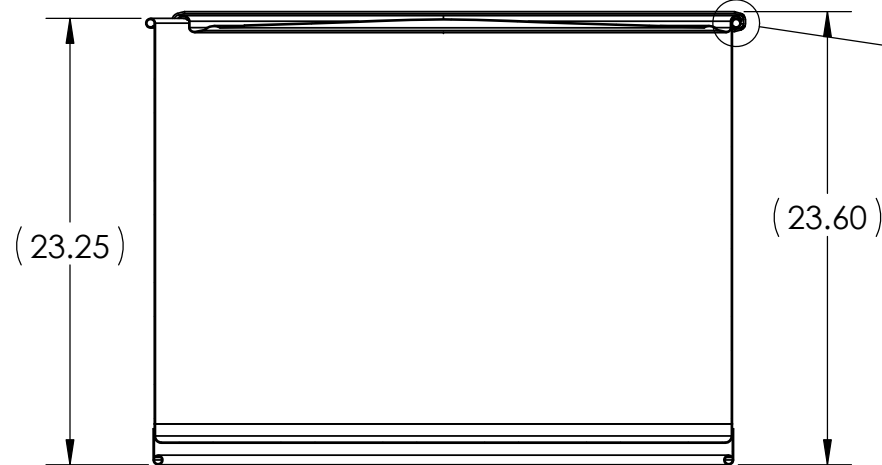
1. TO DETERMINE GREATER ACCURACY OF ANY DIAMETRIC DIMENSION, MEASURING OF CIRCUMFERENCE IS REQUIRED
2. ALL EDGES ARE TYPICAL PLASMA CUTS

**MATERIAL:**

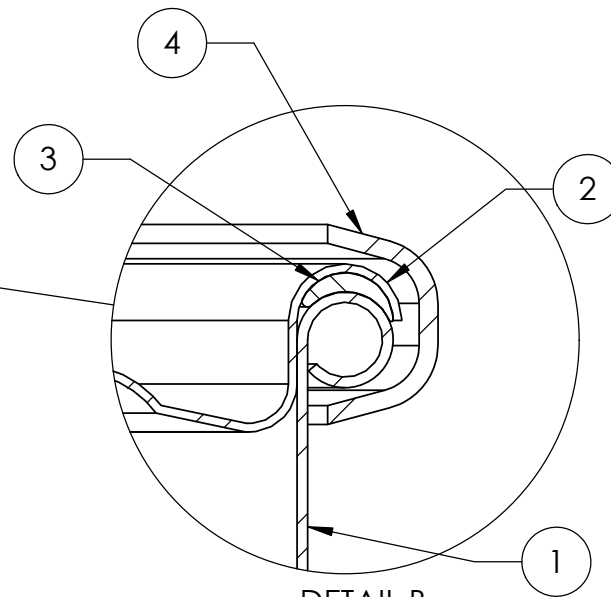
1. DRUM COVER, BODY, BOTTOM 304 STAINLESS STEEL per ASTM A240
2. MATERIAL THICKNESS 1.5MM (0.055 - 0.063; 16 GAUGE)
3. GASKET MAT'L PER ASTM D1056

**FINISH:**

1. NONE



SECTION A-A



DETAIL B  
SCALE 1:1

ITEM NO.	PART NUMBER	DESCRIPTION	QTY.
6	NT5800	5/8-11UNC HEX JAM NUT	1
5	BT5845	BOLT 5/8-11UNC X 4.5(in) LONG	1
4	RB1112	ZINC PLATED BOLT RING - 30in DIA	1
3	GE1101	1/2 ROUND WHITE EPDM GASKET	1
2	P3015S	30in DIA 304SS COVER	1
1	IP653TO	NEW BODY/BOTTOM Φ30 SEAMLESS OPEN HEAD	1

**UNLESS STATED OTHERWISE**  
(DIMENSIONS IN PARENTHESIS ARE FOR REFERENCE ONLY!!!)

ALL DIMENSIONS ARE IN INCHES  
DO NOT SCALE DRAWING (SCALE = 1:10)  
TOLERANCES:  
FRACTIONS ±1/4

**SKOLNIK INDUSTRIES, INC.**  
4900 SOUTH KILBOURN AVENUE, CHICAGO, IL 60632

DESCRIPTION  
65 GALLON OPEN HEAD DRUM  
NON UN  
304 STAINLESS STEEL

REL. DATE 22-APR-2020	PART NUM. / FILENAME IP6530TO-CR	REV A
--------------------------	-------------------------------------	----------

THE USE OF INFORMATION CONTAINED HEREIN IS RESTRICTED FOR THE BENEFIT OF SKOLNIK INDUSTRIES ONLY. UNAUTHORIZED USE OR DISCLOSURE, COPYING OR OTHERWISE REPRODUCING (IN ANY MANNER) ANY PORTION OF THIS DRAWING WITHOUT PRIOR WRITTEN PERMISSION OF AN AUTHORIZED OFFICIAL OF SKOLNIK INDUSTRIES IS STRICTLY PROHIBITED.

**APPROVAL ON FILE**

FILE CREATED IN SolidWorks

