

ST2004

ECN # or INIT	REV	DESCRIPTION	DATE
	A	RELEASE	06-FEB-2007
LJT	A1	WAS 22.5 ID, CLERICAL ERROR	24-AUG-2007
MAR	A2	CHG'D MAT'L NOTE 4 (CLERICAL ERROR)	07-MAY-2008
OE-004		CLERICAL ERROR & NEW STEEL THICKNESS &	
07-020	B	WAS BOX CHIME (DRAWING UPDATE ONLY)	18-APR-2013

NOTES:

1. THIS DIMENSION REPRESENTS DRUM AFTER BEING PROPERLY ASSEMBLED AND CLOSED PER SKOLNIK CLOSING INSTRUCTIONS
2. TO DETERMINE GREATER ACCURACY OF ANY DIAMETRIC DIMENSION, MEASURING OF CIRCUMFERENCE IS REQUIRED
3. CONSTRUCTION per 49 CFR §178.504 (b)

MATERIAL:

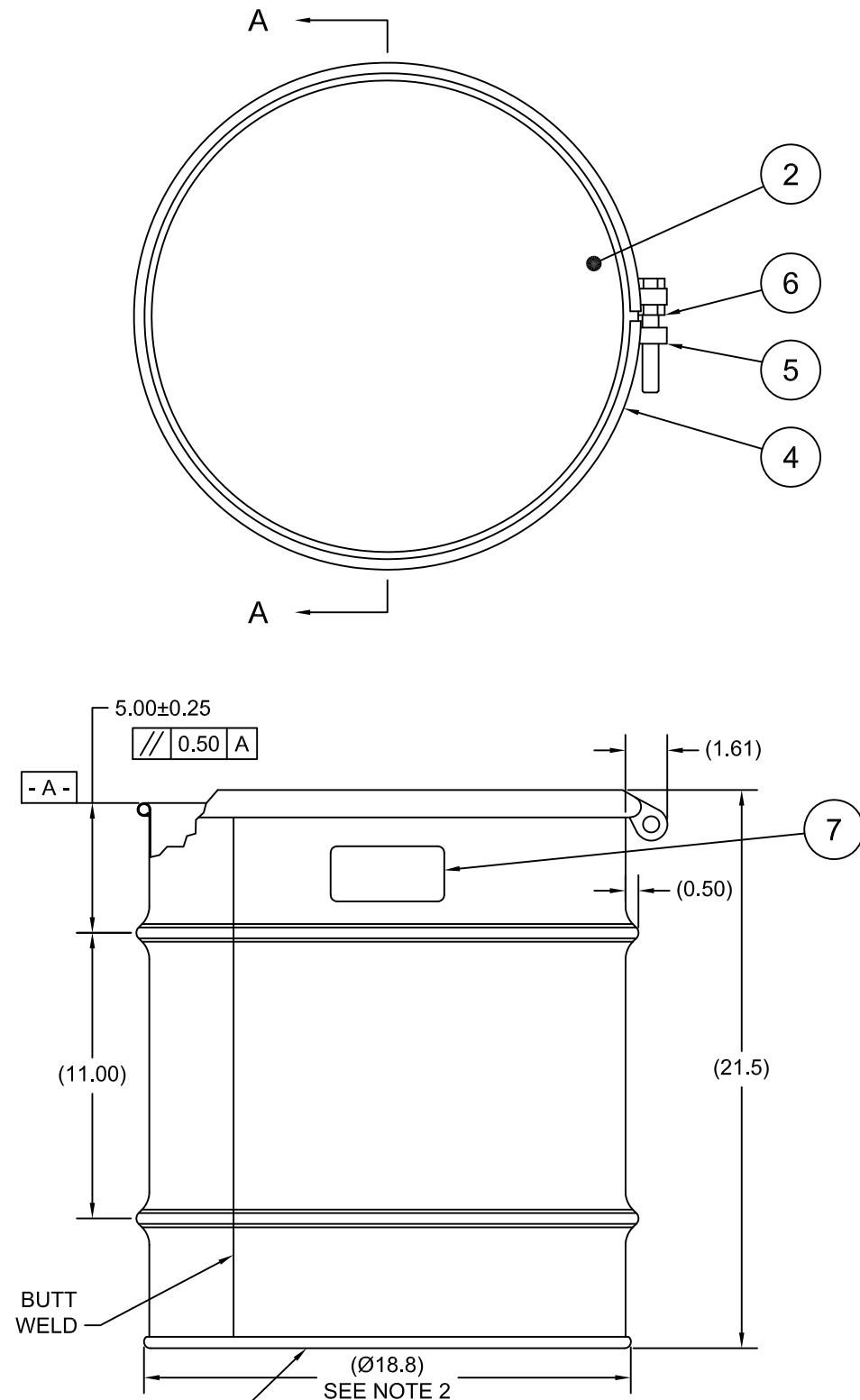
1. 304SS PER ASTM A240 OR EQUIVALENT
2. MATERIAL THICKNESS: COVER 1.5mm (0.0543 - 0.0590; 16 GAUGE), BODY/BOTTOM 1.2mm (0.0433 TO 0.0480; 18 GAUGE)
3. GASKET MAT'L PER ASTM D1056
4. BOLT RING CARBON STEEL

FINISH:

1. PASSIVATED INNER AND OUTER SURFACE OF BODY WELD SEAM

7		UN DURABLE LABEL	1
6	NT5800	5/8-11UNC HEX JAM NUT	1
5	BT5840	5/8-11UNC X 4in LONG HEX HEAD BOLT	1
4	RBH1812	BOLT RING (HP) 20-30G 12GA 5/8 LUG	1
3	GE2000	GASKET IN-COVER D EPDM	1
2	P1815S	COVER 18.25 ID	1
1		BODY/BOTTOM 20 GALLON DRUM 18.25 ID	1
ITEM	ITEM	DESCRIPTION	QTY

<p>SKOLNIK INDUSTRIES, INC. 4900 SOUTH KILBOURN AVENUE, CHICAGO, IL 60632</p>		
<p>DESCRIPTION 20 GALLON OPEN HEAD DRUM 1.5 - 1.2 - 1.2 304SS 1A2/X160/S & 1A2/Y1.5/150</p>		
REL. DATE	PART NUM./FILENAME	REV
06-FEB-2007	ST2004	B

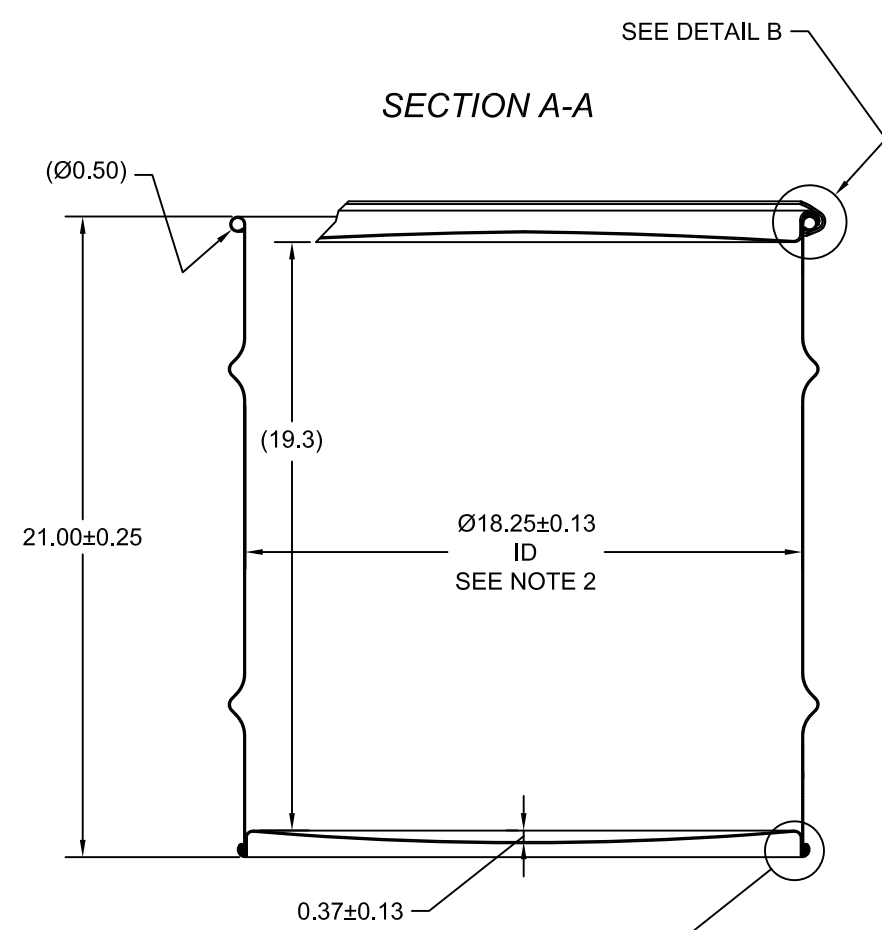


BUTT WELD

UN NUMBER EMBOSSED ON BOTTOM OF DRUM IN 1/2" CHARACTERS READING:

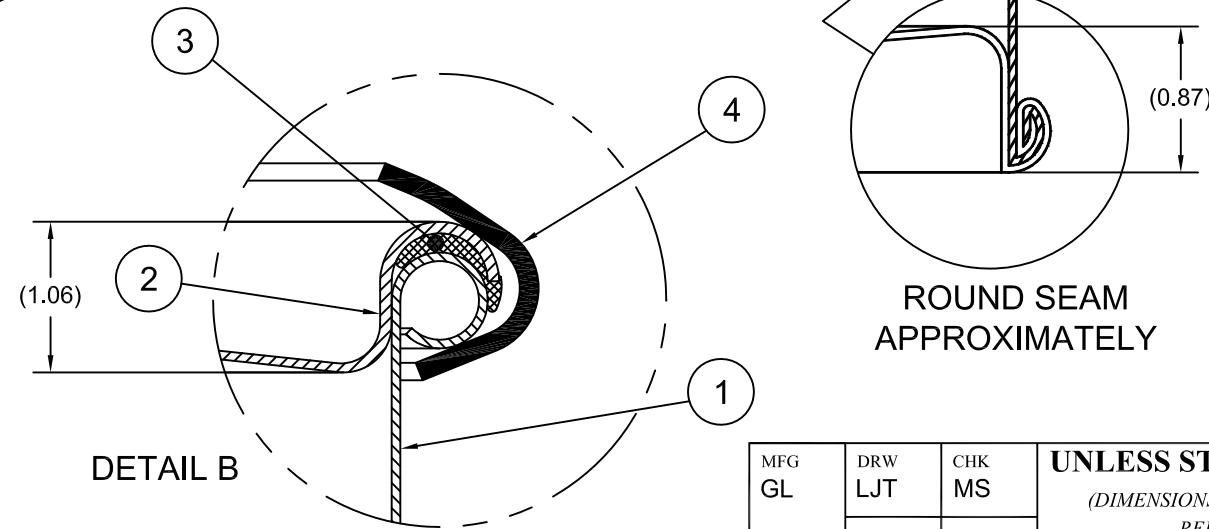
UN/1A2/X160/S/YR
UN/1A2/Y1.5/150/YR
1.5 - 1.2 - 1.2 * 304

BEST PRINTED ON B-SIZE PAPER



SECTION A-A

SEE DETAIL B



DETAIL B

TARE WEIGHT:
29 lbs

THE USE OF INFORMATION CONTAINED HEREIN IS RESTRICTED FOR THE BENEFIT OF SKOLNIK INDUSTRIES ONLY. UNAUTHORIZED USE OR DISCLOSURE, COPYING OR OTHERWISE REPRODUCING (IN ANY MANNER) ANY PORTION OF THIS DRAWING WITHOUT PRIOR WRITTEN PERMISSION OF AN AUTHORIZED OFFICIAL OF SKOLNIK INDUSTRIES IS STRICTLY PROHIBITED.

MFG	DRW	CHK	UNLESS STATED OTHERWISE (DIMENSIONS IN PARENTHESIS ARE FOR REFERENCE ONLY!!!) ALL DIMENSIONS ARE IN INCHES DO NOT SCALE DRAWING TOLERANCES: FRACTIONS ±1/4
GL	LJT	MS	
	SLS	QA	
	DR	GF	
	APR		
	JS		
FILE CREATED IN	3 RD		
AutoCAD 2002			

X° ± 3°	
X.X ± 0.2	
X.XX ± 0.10	
X.XXX ± 0.030	