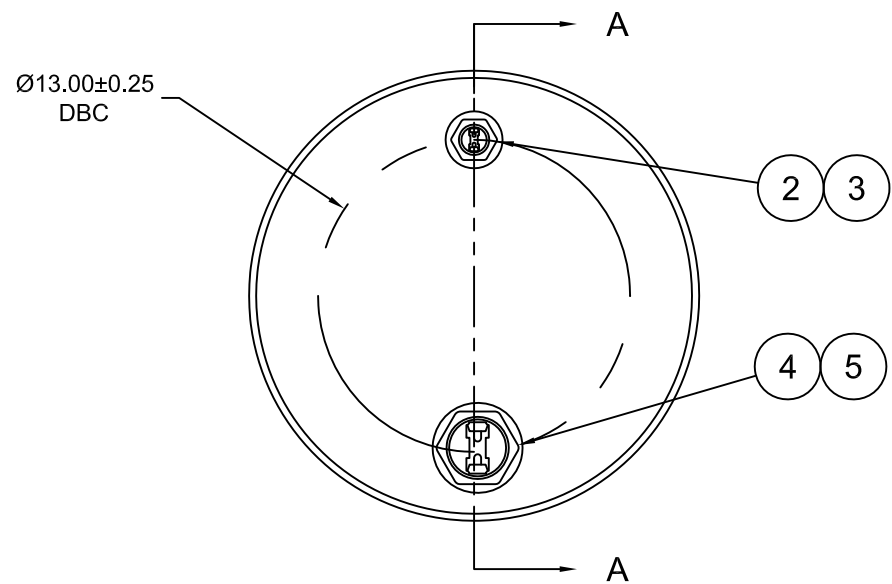
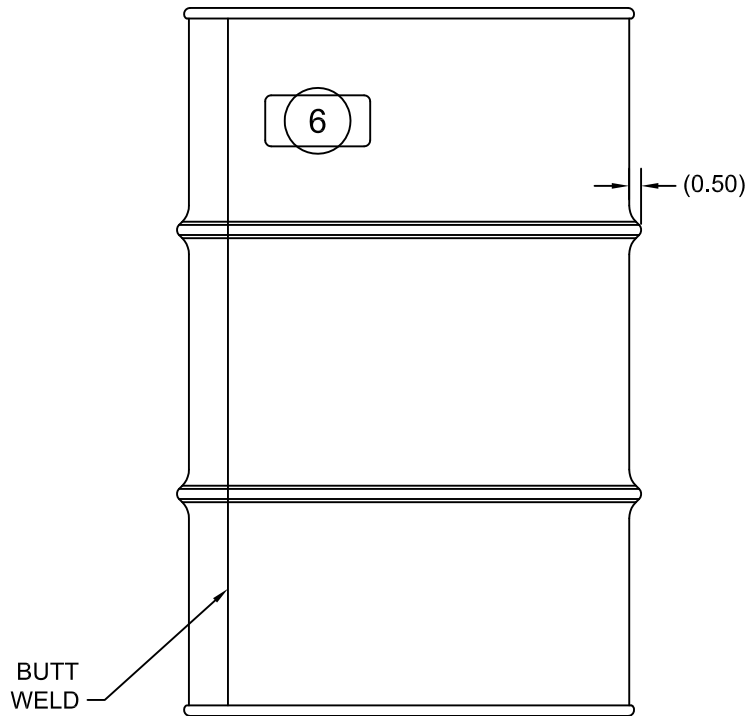
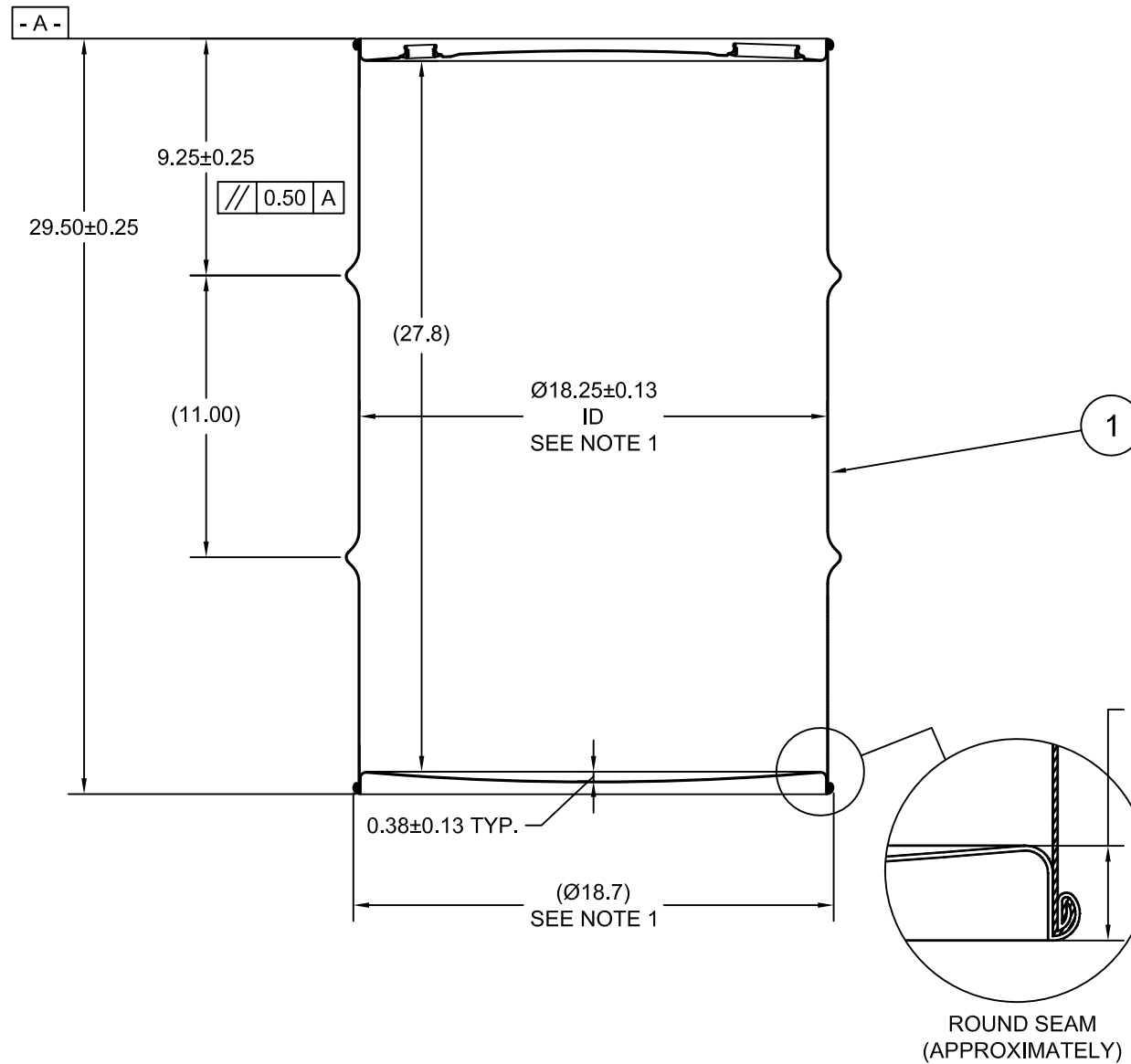


ECN #	REV	DESCRIPTION	DATE
	A	RELEASE	23-SEP-2008
LJT	A1	ADD'D UN LABEL & WELD NOTE	01-OCT-2008
OE-004	A2	NEW STEEL THICKNESS	18-JAN-2012
OE-001	A3	CLERICAL ERROR	18-APR-2013



SECTION A-A
(SHOWN W/ PLUGS REMOVED)



NOTES:

1. TO DETERMINE GREATER ACCURACY OF ANY DIAMETRIC DIMENSION, MEASURING OF CIRCUMFERENCE IS REQUIRED
2. CONSTRUCTION per 49 CFR §178.504 (b)

MATERIAL:

1. 304SS PER ASTM A240 OR EQUIVALENT
2. MATERIAL THICKNESS: 1.2mm (0.0433 - 0.0480; 18 GAUGE)

FINISH:

1. PASSIVATED INNER AND OUTER SURFACE OF BODY WELD SEAM

BEST PRINTED ON B-SIZE PAPER

UN NUMBER EMBOSSED ON BOTTOM OF DRUM
1/2" CHARACTERS READING:
UN/1A1/X1.2/300/YR
1.2 * 304
(YR = YEAR OF MANUFACTURE)

TARE WEIGHT:
33 lbs

THE USE OF INFORMATION CONTAINED HEREIN IS RESTRICTED FOR THE BENEFIT OF SKOLNIK INDUSTRIES ONLY. UNAUTHORIZED USE OR DISCLOSURE, COPYING OR OTHERWISE REPRODUCING (IN ANY MANNER) ANY PORTION OF THIS DRAWING WITHOUT PRIOR WRITTEN PERMISSION OF AN AUTHORIZED OFFICIAL OF SKOLNIK INDUSTRIES IS STRICTLY PROHIBITED.

MFG JR	DRW LJT	CHK MAR
SLS DR	QA MD	
APR Bora Rasic		
FILE CREATED IN AutoCAD 2002	3 RD	

UNLESS STATED OTHERWISE

(DIMENSIONS IN PARENTHESIS ARE FOR REFERENCE ONLY!!!)

ALL DIMENSIONS ARE IN INCHES
DO NOT SCALE DRAWING

TOLERANCES:

FRACTIONS ±1/4
X° ± 3°
X.X ± 0.2
X.XX ± 0.10
X.XXX ± 0.030

SKOLNIK INDUSTRIES, INC.
4900 SOUTH KILBOURN AVENUE, CHICAGO, IL 60632

DESCRIPTION
30 GALLON TIGHT HEAD DRUM
1.2 - 1.2 - 1.2 304SS
1A1/X1.2/300

REL. DATE 23-SEP-2008	PART NUM./FILENAME ST3003	REV A3
--------------------------	------------------------------	-----------

ITEM	P/N	DESCRIPTION	QTY
6		UN DURABLE LABEL	1
5	PT2050	PLUG 2 TS 316SS BUNA GASKET	1
4	FT2050	FLANGE 2 TS 316SS BUNA GASKET	1
3	PT3050	PLUG 3/4 TS 316SS BUNA GASKET	2
2	FT3050	FLANGE 3/4 TS 316SS BUNA GASKET	1
1		30 GALLON TH DRUM 304SS	1