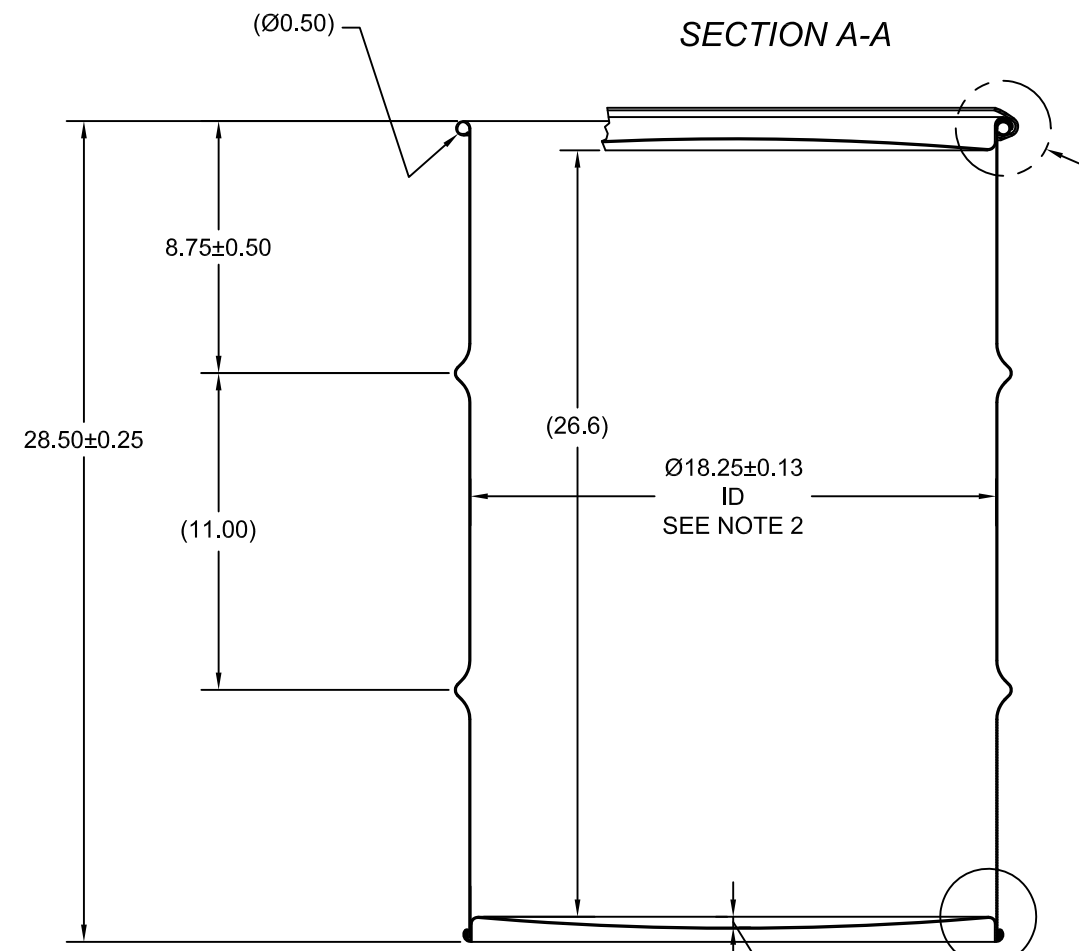
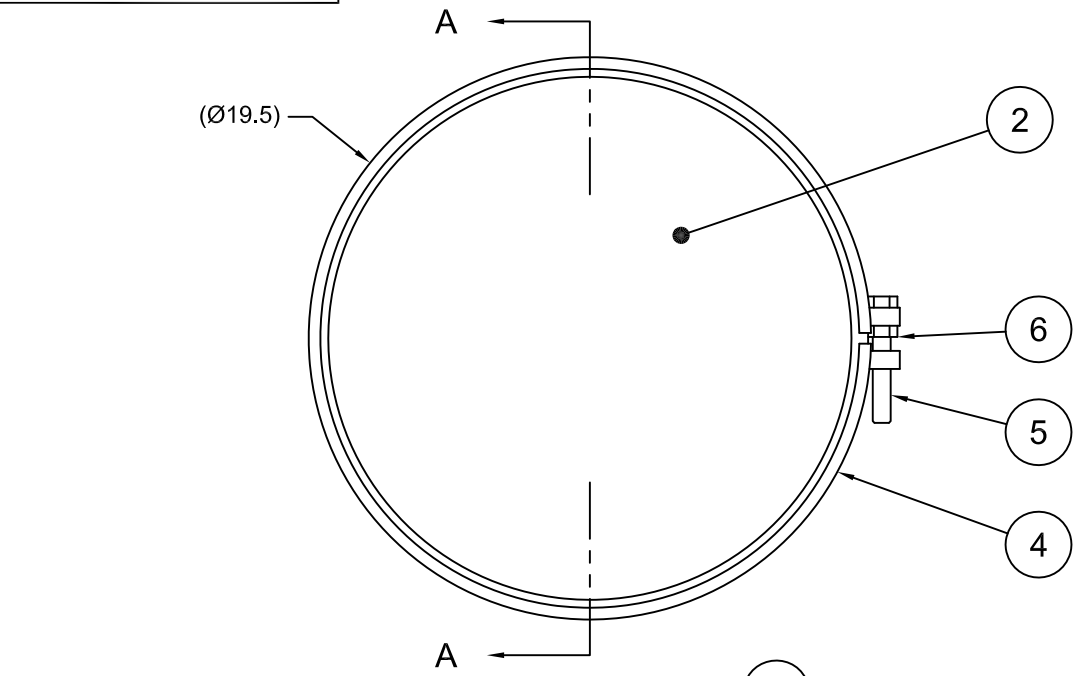


ST3004

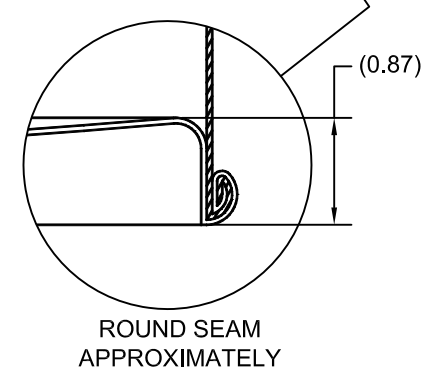
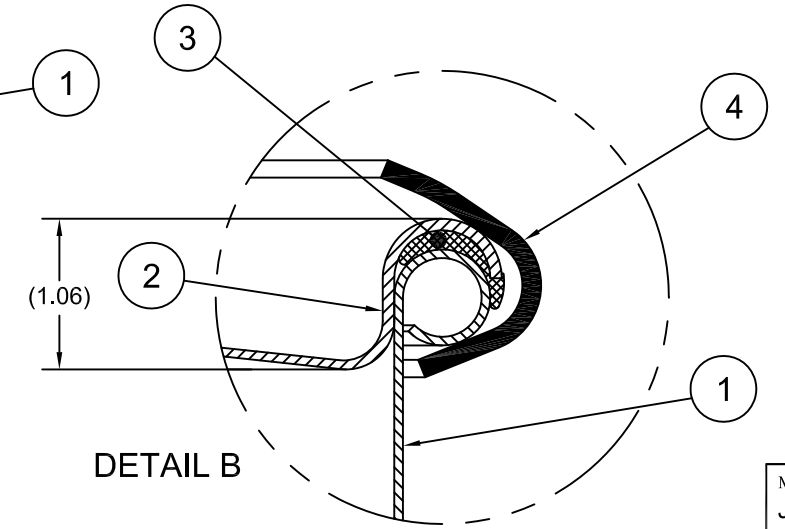
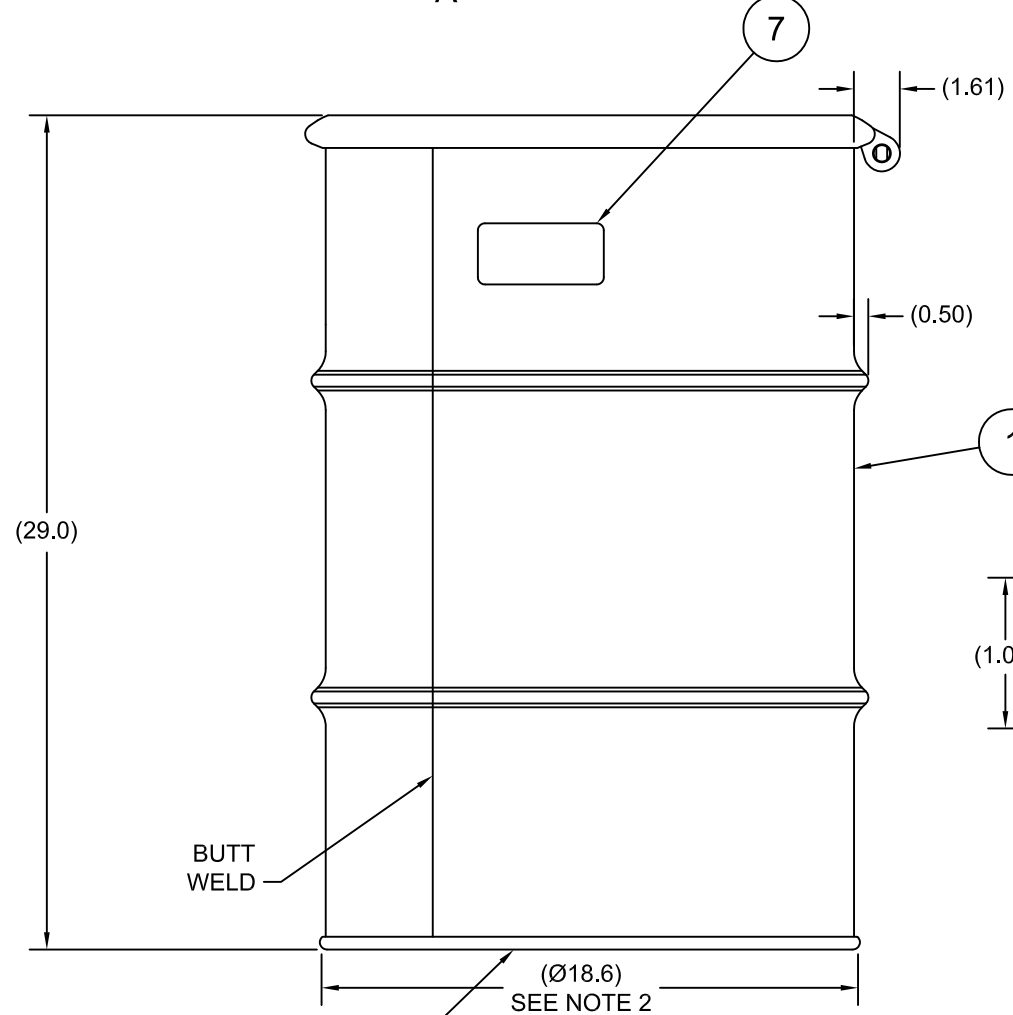
ECN # or INIT	REV	DESCRIPTION	DATE
LJT	A1	REDRAWN IN AutoCAD	14-JAN-2010
OE-001	A2	CLERICAL ERROR	17-APR-2013
OE-001	A3	CLERICAL ERROR	26-APR-2013



- NOTES:**
1. THIS DIMENSION REPRESENTS DRUM AFTER BEING PROPERLY ASSEMBLED AND CLOSED PER SKOLNIK CLOSING INSTRUCTIONS
 2. TO DETERMINE GREATER ACCURACY OF ANY DIAMETRIC DIMENSION, MEASURING OF CIRCUMFERENCE IS REQUIRED
 3. CONSTRUCTION per 49 CFR §178.504 (b)

- MATERIAL:**
1. 304SS PER ASTM A240 OR EQUIVALENT
 2. MATERIAL THICKNESS: COVER - 1.5mm (0.0543 - 0.0590;16 GAUGE), BODY/BOTTOM - 1.2mm (0.0433 - 0.0480;18 GAUGE)
 3. GASKET MAT'L PER ASTM D1056
 4. BOLT RING CARBON STEEL

- FINISH:**
1. PASSIVATED INNER AND OUTER SURFACE OF BODY WELD SEAM



ITEM	P/N	DESCRIPTION	QTY
7		UN DURABLE LABEL	1
6	NT5800	5/8-11UNC HEX JAM NUT	1
5	BT5840	5/8-11UNC X 4in LONG HEX HEAD BOLT	1
4	RBH1812	BOLT RING 20-30G 12 GA 5/8 LUG	1
3	GE2000	GASKET EPDM IN-COVER D	1
2	P1815S	COVER 18.25 ID DRUM 304SS	1
1		BODY/BOTTOM 30 GALLON DRUM 18.25 ID	1

BEST PRINTED ON B-SIZE PAPER

UN NUMBER EMBOSSED ON BOTTOM OF DRUM IN 1/2" CHARACTERS READING:

UN/1A2/X225/S/YR
UN/1A2/Y1.5/150/YR
1.5 - 1.2 - 1.2 * 304

TARE WEIGHT:
35 lbs

THE USE OF INFORMATION CONTAINED HEREIN IS RESTRICTED FOR THE BENEFIT OF SKOLNIK INDUSTRIES ONLY. UNAUTHORIZED USE OR DISCLOSURE, COPYING OR OTHERWISE REPRODUCING (IN ANY MANNER) ANY PORTION OF THIS DRAWING WITHOUT PRIOR WRITTEN PERMISSION OF AN AUTHORIZED OFFICIAL OF SKOLNIK INDUSTRIES IS STRICTLY PROHIBITED.

MFG JR	DRW LJT	CHK BL
SLS DR	QA MD	
APR G. Petersen		
FILE CREATED IN AutoCAD 2002	3 RD	

UNLESS STATED OTHERWISE
(DIMENSIONS IN PARENTHESIS ARE FOR REFERENCE ONLY!!!)
ALL DIMENSIONS ARE IN INCHES
DO NOT SCALE DRAWING
TOLERANCES:
FRACTIONS ±1/4
X° ± 3°
X.X ± 0.2
X.XX ± 0.10
X.XXX ± 0.030

SKOLNIK INDUSTRIES, INC.
4900 SOUTH KILBOURN AVENUE, CHICAGO, IL 60632

DESCRIPTION
30 GALLON OPEN HEAD DRUM
1.5 - 1.2 - 1.2 304SS
1A2/X225/S & 1A2/Y1.5/150

REL. DATE 14-JAN-2010	PART NUM./FILENAME ST3004	REV A3
--------------------------	------------------------------	-----------