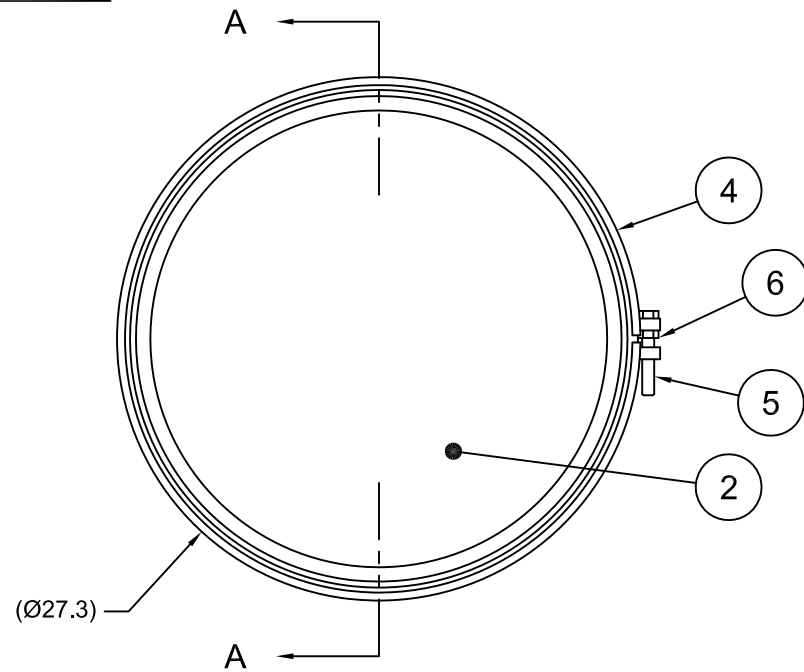
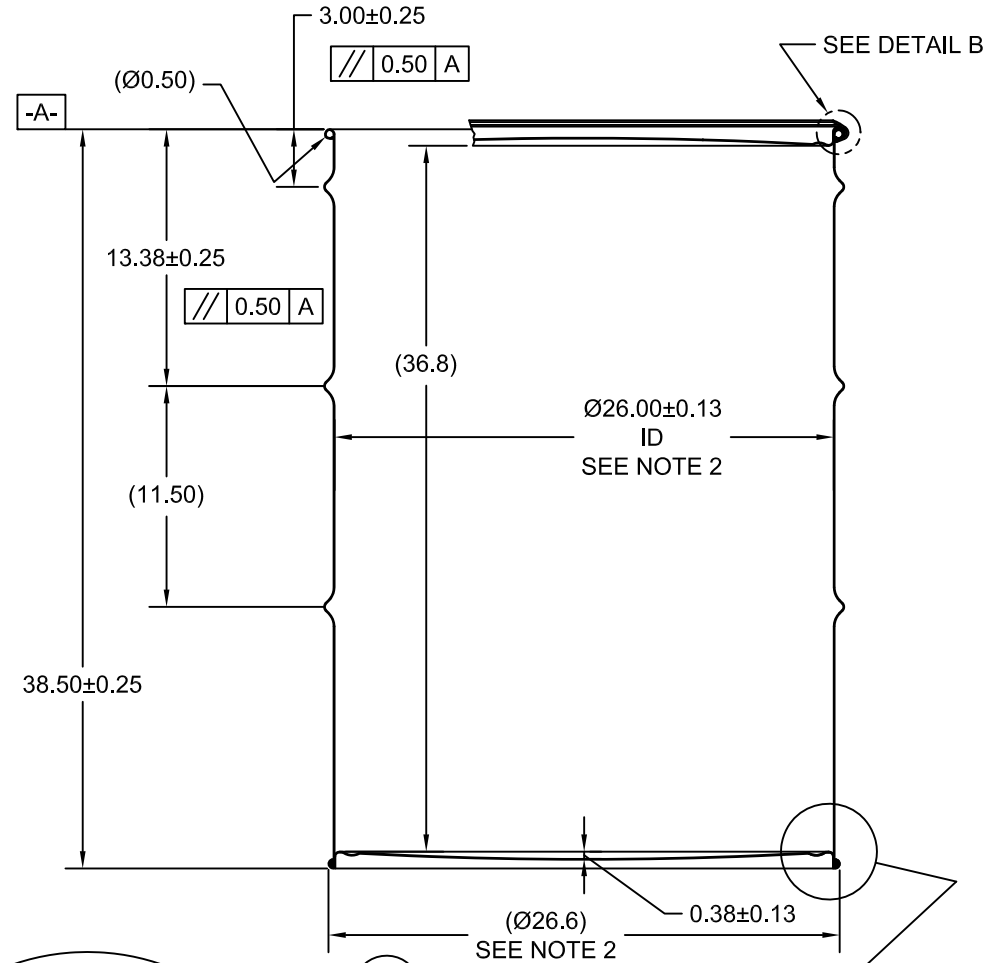


10981S

ECN # or INIT	REV	DESCRIPTION	DATE
OE-005	A1	REDRAWN TO AutoCAD	15-DEC-2010
OE-001	A2	CLERICAL ERRORS	16-NOV-2011
OE-001	A3	CLERICAL ERRORS	11-APR-2013
OE-001	A4	ADDED SEAM VIEW	24-APR-2013



SECTION A-A



NOTES:

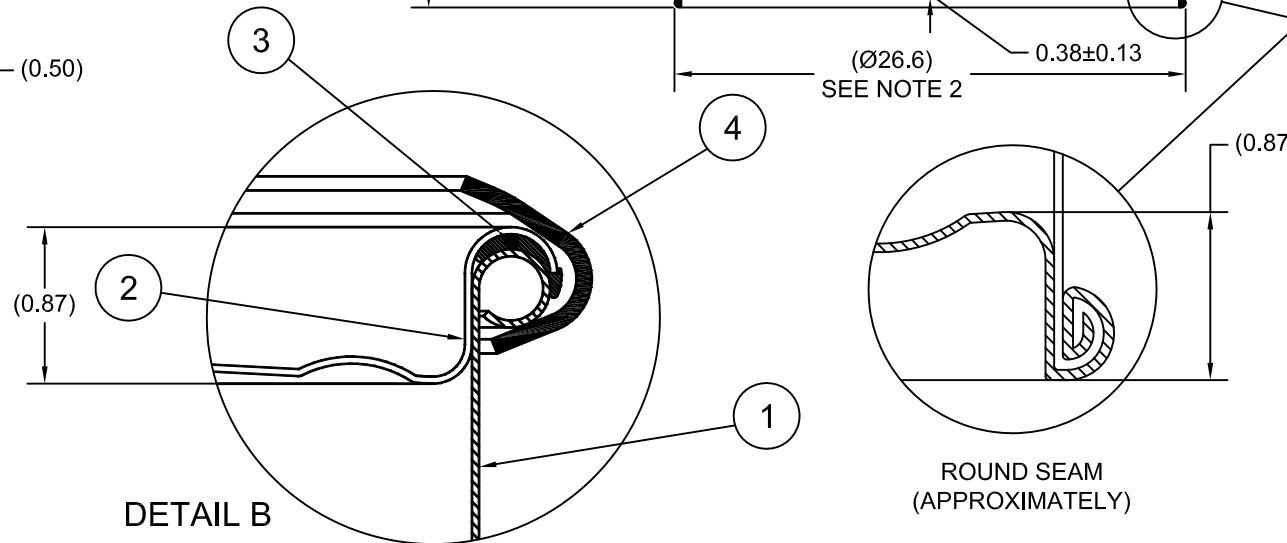
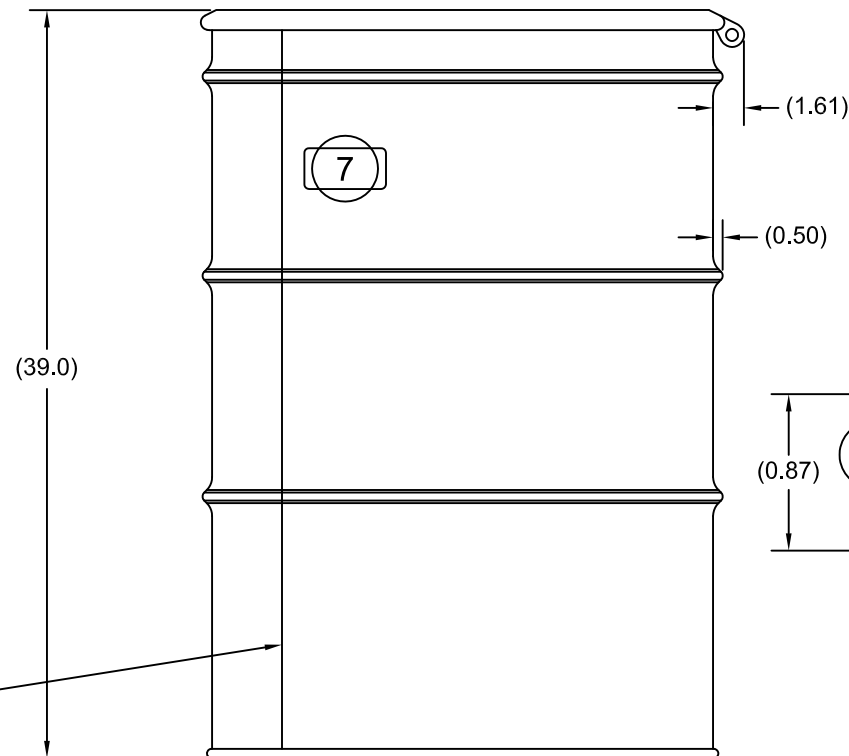
1. THIS DIMENSION REPRESENTS DRUM AFTER BEING PROPERLY ASSEMBLED AND CLOSED PER SKOLNIK CLOSING INSTRUCTIONS
2. TO DETERMINE GREATER ACCURACY OF ANY DIAMETRIC DIMENSION, MEASURING OF CIRCUMFERENCE IS REQUIRED
3. CONSTRUCTION per 49 CFR §178.504 (b)

MATERIAL:

1. 304SS PER ASTM A240 OR EQUIVALENT
2. MATERIAL THICKNESS: 1.5mm (0.0543 - 0.0590;16 GAUGE)
3. GASKET MAT'L PER ASTM D1056
4. CARBON STEEL BOLT RING

FINISH:

1. PASSIVATED INNER AND OUTER SURFACE OF BODY WELD SEAM



ITEM	P/N	DESCRIPTION	QTY
7		UN DURABLE LABEL	1
6	NT5800	5/8-11UNC HEX JAM NUT	1
5	BT5840	5/8-11UNC X 4in LONG HEX HEAD BOLT	1
4	RBH2612	BOLT RING 79-96G (HP) 12GA 5/8 LUG	1
3	GE8500	GASKET EPDM IN-COVER 'D' BLACK	1
2	P2615S	COVER Ø26 ID 304 STAINLESS STEEL	1
1		BODY/BOTTOM 85 GALLON DRUM Ø26 ID	1

UN NUMBER EMBOSSED ON BOTTOM OF DRUM  
 ½" CHARACTERS READING:  
 UN/1A2/X440/S/YR

1.5 \* 304

(YR = YEAR OF MANUFACTURE)

TARE WEIGHT:  
 82 lbs

THE USE OF INFORMATION CONTAINED HEREIN IS RESTRICTED FOR THE BENEFIT OF SKOLNIK INDUSTRIES ONLY. UNAUTHORIZED USE OR DISCLOSURE, COPYING OR OTHERWISE REPRODUCING (IN ANY MANNER) ANY PORTION OF THIS DRAWING WITHOUT PRIOR WRITTEN PERMISSION OF AN AUTHORIZED OFFICIAL OF SKOLNIK INDUSTRIES IS STRICTLY PROHIBITED.

MFG BR	DRW LJT	CHK BL
SLS DR	QA MD	
APR G. Petersen		
FILE CREATED IN AutoCAD 2002		

UNLESS STATED OTHERWISE

(DIMENSIONS IN PARENTHESIS ARE FOR REFERENCE ONLY!!!)

ALL DIMENSIONS ARE IN INCHES  
 DO NOT SCALE DRAWING

TOLERANCES:  
 FRACTIONS ±1/4  
 X° ± 3°  
 X.X ± 0.2  
 X.XX ± 0.10  
 X.XXX ± 0.030

**SKOLNIK** INDUSTRIES, INC.  
 4900 SOUTH KILBOURN AVENUE, CHICAGO, IL 60632

DESCRIPTION  
 85 GALLON OPEN HEAD DRUM  
 1.5 - 1.5 - 1.5 304SS  
 1A2/X440/S

REL. DATE 15-DEC-2010	PART NUM. / FILENAME ST8501	REV A4
--------------------------	--------------------------------	-----------